



Air Conditioning & Heating

PRODUCT SPECIFICATIONS



1½ TO 5 Ton

ASPF

MULTI-POSITION AIR HANDLER WITH ENERGY-SAVING MOTOR

The Goodman® ASPF Multi-Position Air Handler is suitable for use with refrigerants R-410A and R-22. This unit's blower design includes an EEM (energy-saving), fixed-speed motor that can enhance the efficiency of air conditioners and heat pumps.

Standard Features

- Suitable for use with refrigerants R-410A and R-22
- Check flowrate expansion device for cooling and heat pump applications
- Energy-saving, fixed-speed motor
- Enhances the performance of your Goodman® air conditioner or heat pump
- Multi-position — upflow, downflow or horizontal
- Built-in coil has horizontal, vertical, and downflow drain pans with secondary drain connections
- Complies with the Factory-sealed Air Handling Credit as listed in the 2001 Florida Building Code, Chapter 13, Section 610.2.A.2.1
- ARI Certified
- ETL Listed



Cabinet Features

- Fully insulated, painted steel cabinet with attractive Architectural Gray finish
- Built-in filter rack for 1" filter (filter not included)
- Low-voltage cabinet connections
- Power supply on top
- Low-voltage entry on top or side
- Factory-sealed to achieve 2% or less leakage rate at 1.0" water gauge external duct static pressure



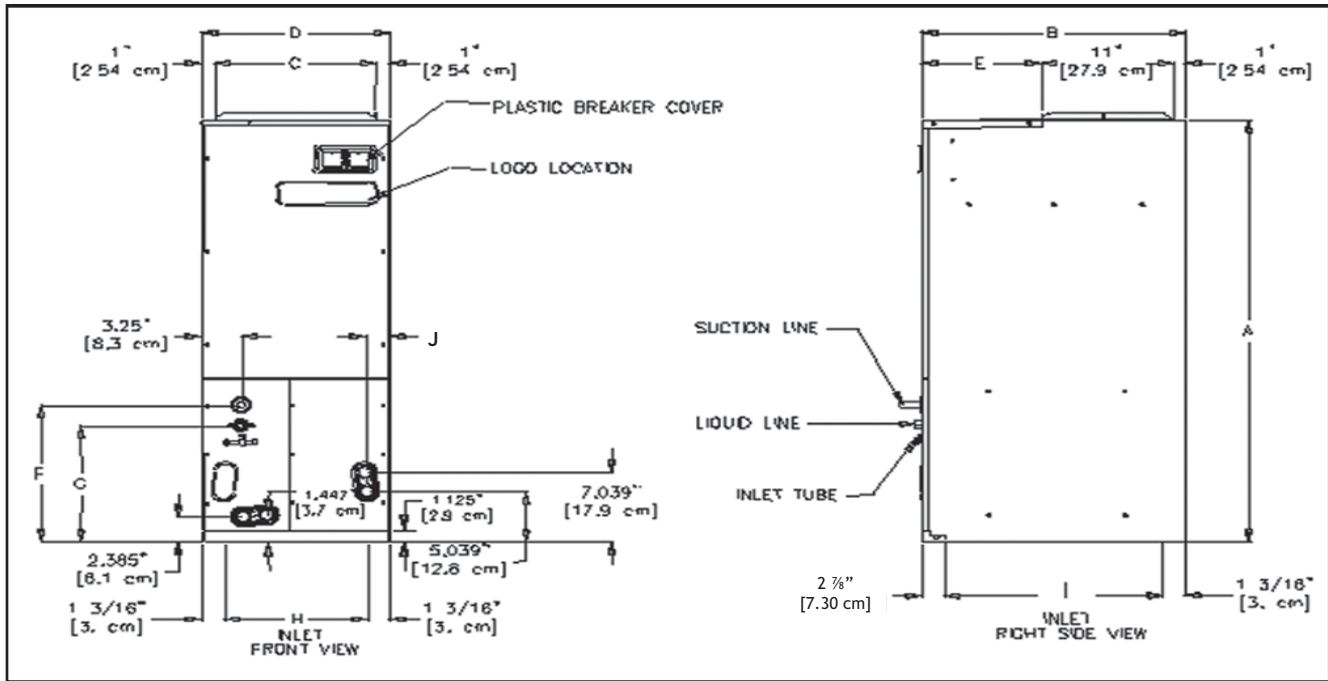
NOMENCLATURE

	A	S	P	F	2405	1	6	AA	
	1	2	3	4	5,6,7,8	9	10	11,12	
Brand									Engineering *
A Single-piece Air Handler									Major/ Minor Revisions * Not used for inventory management
Unit Application									Refrigerant Charge
C Ceiling Mount PSC Motor									No Digit = R-22 only 6 = R-410A or R-22
D Downflow PSC Motor									
E Multi-Position Variable-Speed Motor									
R Multi-Position PSC Motor									Electrical
S Multi-Position EEM Motor									1 208/240 V, 1 Phase, 60 Hz
W Wall Mount PSC Motor									
Cabinet Finish									Nominal Capacity Range @ 13 SEER
U Unpainted									Multi-Position & Downflow Applications
P Painted									1729 1½ to 2½ Tons (for Export Systems)
N Uncased									1830 1½-3½ Tons
									3642 3-3½ Tons
Expansion Device									Ceiling Mount & Wall Mount Applications
F Flowrater									(Nominal Cooling Capacity/ Electric Heat kW)
T Expansion Valve									1805 1½ Tons Cooling/ 5 kW Electric Heat
									2405 2 Tons Cooling/ 5 kW Electric Heat
									3608 3 Tons Cooling/ 8 kW Electric Heat

SPECIFICATIONS

	ASPF183016	ASPF303616	ASPF426016
Blower			
Diameter	9½"	10⅝"	10 ¹⁵ / ₁₆ "
Width	8"	10⅝"	10 ¹¹ / ₁₆ "
Coil Drain Connection FPT	¾"	¾"	¾"
Service Valve			
Liquid	⅜"	⅜"	⅜"
Suction	¾"	⅞"	⅞"
Electrical Data			
Voltage	208/230	208/230	208/230
Min. Circuit Ampacity	3.1/3.1	3.8/3.8	5.3/5.3
Max. Overcurrent Protection (amps)	15/15	15/15	15/15
Minimum VAC	197	197	197
Maximum VAC	253	253	253
Blower Motor			
FLA	2.5	3.0	4.2
HP	½	¾	¾
Ship Weight (lbs)	125	176	195

DIMENSIONS



Model	A	B	C	D	E	F	G	H	I	J
ASPF183016	46 ³ / ₄ "	22"	17 ¹ / ₂ "	19 ¹ / ₂ "	10"	14 ¹ / ₂ "	11 ¹⁵ / ₁₆ "	17 ¹ / ₈ "	17 ¹⁵ / ₁₆ "	2"
ASPF303616	53 ³ / ₄ "	24"	20"	22"	12"	19 ⁵ / ₈ "	11 ¹⁵ / ₁₆ "	19 ⁵ / ₈ "	19 ¹⁵ / ₁₆ "	1 ¹³ / ₁₆ "
ASPF426016	53 ³ / ₄ "	24"	20"	22"	12"	19 ⁵ / ₈ "	11 ¹⁵ / ₁₆ "	19 ⁵ / ₈ "	19 ¹⁵ / ₁₆ "	1 ¹³ / ₁₆ "

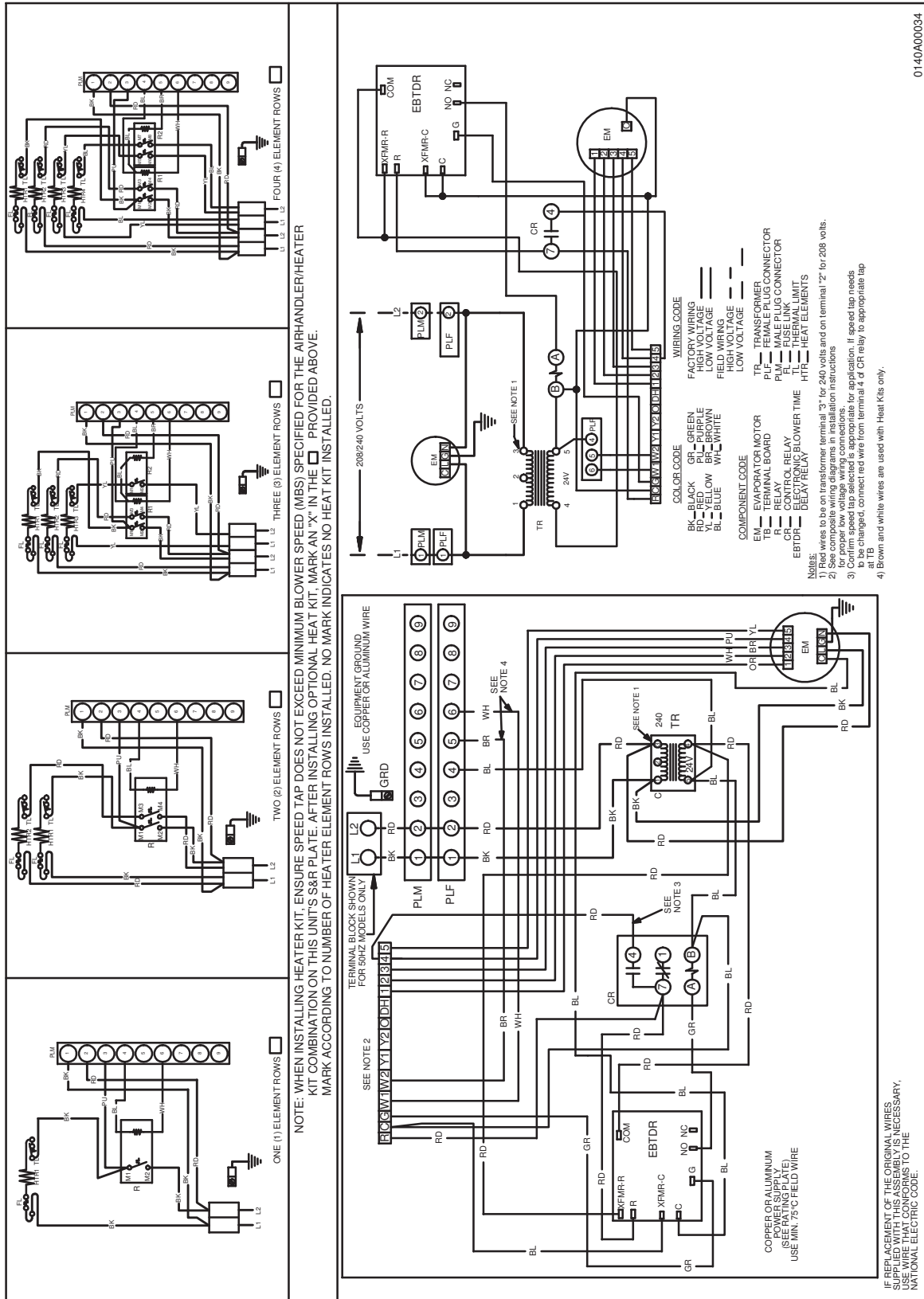
BLOWER PERFORMANCE

Model	Motor Speed Tap	CFM delivered against External Static Pressure				
		0.1"	0.2"	0.3"	0.4"	0.5"
ASPF183016	Low (T1)	700	670	650	595	510
	Med-Low (T2)	820	785	765	745	705
	Medium (T3)	920	900	850	840	815
	Med-High (T4)	1,075	1,055	1,015	975	960
	High (T5)	1,130	1,115	1,085	1,040	1,000
ASPF303616	Low (T1)	1,060	865	600	515	420
	Med-Low (T2)	1,105	910	795	745	690
	Medium (T3)	1,165	1,070	1,020	960	915
	Med-High (T4)	1,285	1,240	1,195	1,140	1,100
	High (T5)	1,435	1,395	1,350	1,315	1,265
ASPF426016	Low (T1)	1,445	1,275	1,040	940	855
	Med-Low (T2)	1,545	1,405	1,325	1,260	1,145
	Medium (T3)	1,660	1,610	1,555	1,490	1,415
	Med-High (T4)	1,905	1,870	1,810	1,750	1,695
	High (T5)	2,115	2,070	2,000	1,965	1,915


Notes:

Assumes dry coil with filter in place; SCFM correction for wet coil = 4%
 All ASPF models are shipped from the factory with the speed tap set on T4.


ASPF***AA WIRING DIAGRAMS



Wiring is subject to change. Always refer to the wiring diagram on the unit for the most up-to-date wiring schematic.

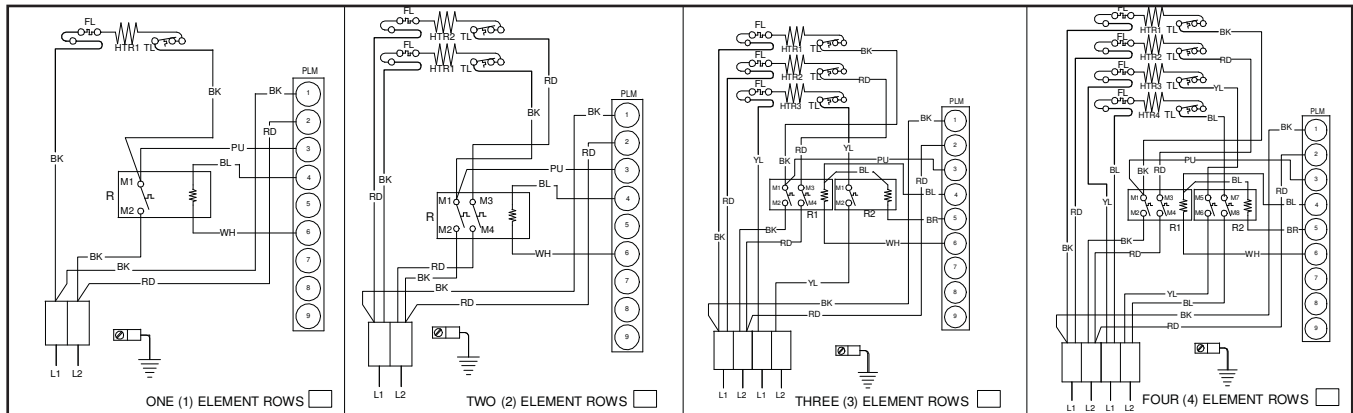


High Voltage:
 Disconnect all power before servicing or installing this unit. Multiple power sources may be present. Failure to do so may cause property damage, personal injury, or death.

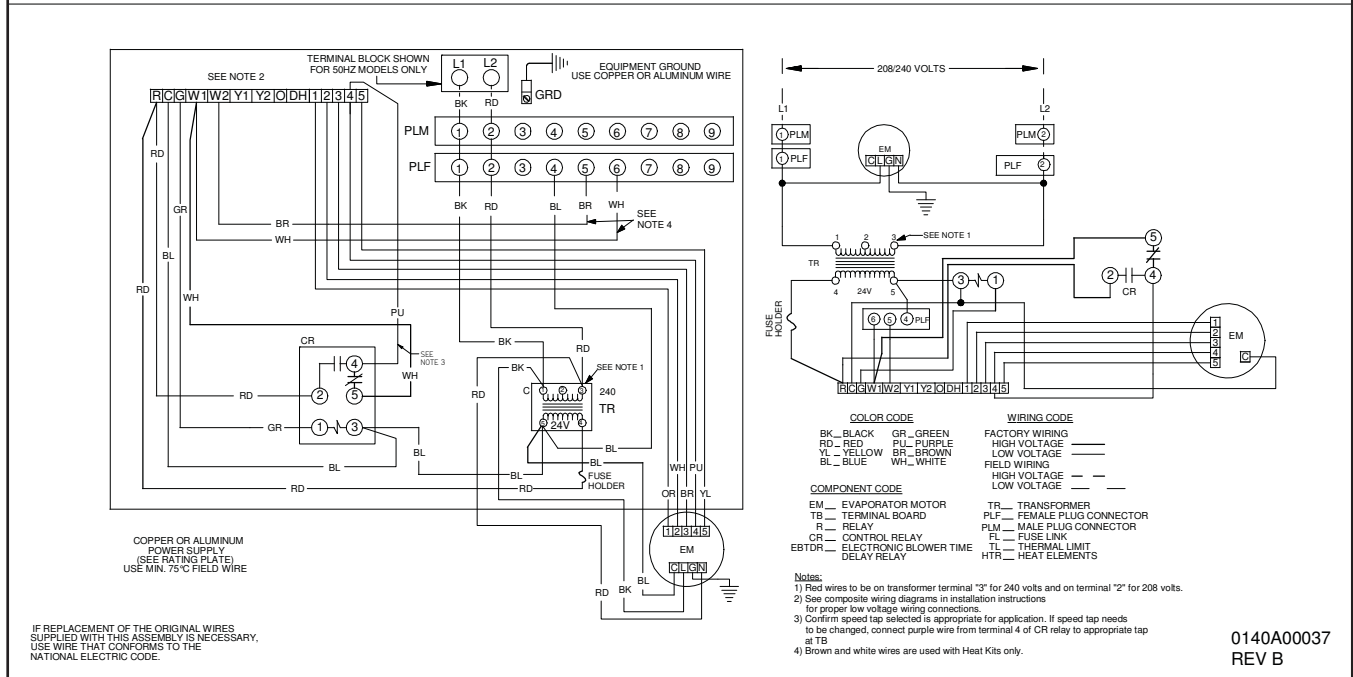


WARNING

ASPF***BA WIRING DIAGRAMS



NOTE: WHEN INSTALLING HEATER KIT, ENSURE SPEED TAP DOES NOT EXCEED MINIMUM BLOWER SPEED (MBS) SPECIFIED FOR THE AIRHANDLER/HEATER KIT COMBINATION ON THIS UNIT'S S&R PLATE. AFTER INSTALLING OPTIONAL HEAT KIT, MARK AN "X" IN THE PROVIDED ABOVE. MARK ACCORDING TO NUMBER OF HEATER ELEMENT ROWS INSTALLED. NO MARK INDICATES NO HEAT KIT INSTALLED.



0140A00037
REV B

Wiring is subject to change. Always refer to the wiring diagram on the unit for the most up-to-date wiring schematic.

<p>WARNING</p>	<p>High Voltage: Disconnect all power before servicing or installing this unit. Multiple power sources may be present. Failure to do so may cause property damage, personal injury, or death.</p>	
-----------------------	--	--

ACCESSORIES

HEAT KIT SELECTION

	ASPF 183016	ASPF 303616	ASPF 426016
HKR-03*	X	X	X
HKR-05*, HKR-05C*	X	X	X
HKR-06*	X	X	X
HKR-08*, HKR-08C*	X ¹	X ¹	X
HKR-10*, HKR-10C*	X ¹	X ¹	X
HKR-15C*	X ²	X ²	X ¹
HKR-20C*		X ²	X ¹
HKR-21C*		X ²	X ¹
^ HKR3-15*	X ²	X ²	X ¹
^ HKR3-20*		X ²	X ¹

- * Revision level that may or may not be designated
- C Circuit breaker option
- ^ Heat kit requires three-phase power supply
- ¹ Air handler must be on speed tap 2, 3, 4, or 5.
- ² Air handler must be on speed tap 4 or 5.

FILTERS

ASPF	Filter #	Qty Re- quired
1830	FIL-36-42	1
3036	FIL 48-61	1
4260	FIL 48-61	1

EXPANSION VALVE KITS FOR AIR CONDITIONING AND HEAT PUMP APPLICATIONS

Kit Number	Description	Application	Refrigerant	Tonnage: Outdoor Unit
XVB18-36C	20% Bleed Valve	AC Only	R-22	1½ - 3 Ton
XVB42-60C	20% Bleed Valve	AC Only	R-22	3½ - 5 Ton
XV18-36C	Non-bleed Valve	AC Only	R-22	1½ - 3 Ton
XV42-60C	Non-bleed Valve	AC Only	R-22	3½ - 5 Ton
TX2N2	Non-bleed Valve	AC or HP	R-22	1½ - 2 Ton
TX3N2	Non-bleed Valve	AC or HP	R-22	2½ - 3 Ton
TX5N2	Non-bleed Valve	AC or HP	R-22	3½ - 5 Ton
TX2N4	Non-bleed Valve	AC or HP	R-410A	1½ - 2 Ton
TX3N4	Non-bleed Valve	AC or HP	R-410A	2½ - 3 Ton
TX5N4	Non-bleed Valve	AC or HP	R-410A	3½ - 5 Ton

DRAIN PAN INSULATION KITS

DOWNFLOW APPLICATIONS

Chassis Size	Insulation Kit
Small (15½")	DPI18-30/20
Medium (19½")	DPI36-42/20
Large (22")	DPI48-60/20

Note: Each kit contains enough material to modify 20 coils

HORIZONTAL APPLICATIONS

Chassis Size	Insulation Kit
Small (15½")	DPIH18-32
Medium (19½")	DPIH36-42
Large (22")	DPIH48-61

Note: Each kit contains enough material to modify 20 coils

