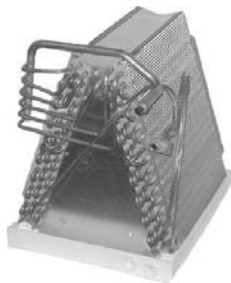




Air Conditioning & Heating

## PRODUCT SPECIFICATIONS



CAUF Uncased



CAPF Cased



CHPF Horizontal "A"



CSCF Horizontal Slab

**CASED, PAINTED UPFLOW/  
DOWNFLOW, UNCASED UPFLOW/  
DOWNFLOW, HORIZONTAL "A"  
& HORIZONTAL SLAB INDOOR COILS**

# CAUF, CAUF, CHPF, & CSCF

## DUAL-REFRIGERANT SERIES

Goodman® coils are designed for use with Goodman® brand gas furnaces, split system air conditioners and heat pumps, as well as modular, two-piece blowers. Each cased coil has a quality, galvanized-steel cabinet.

### Standard Features

- Suitable for use with R-410A and R-22 refrigerants
- Rust-proof, thermoplastic drain pans feature a low water-retention design
- Check flowrate expansion device for heat pump or cooling-only applications
- Rifled copper tubing and louvered aluminum fin coils

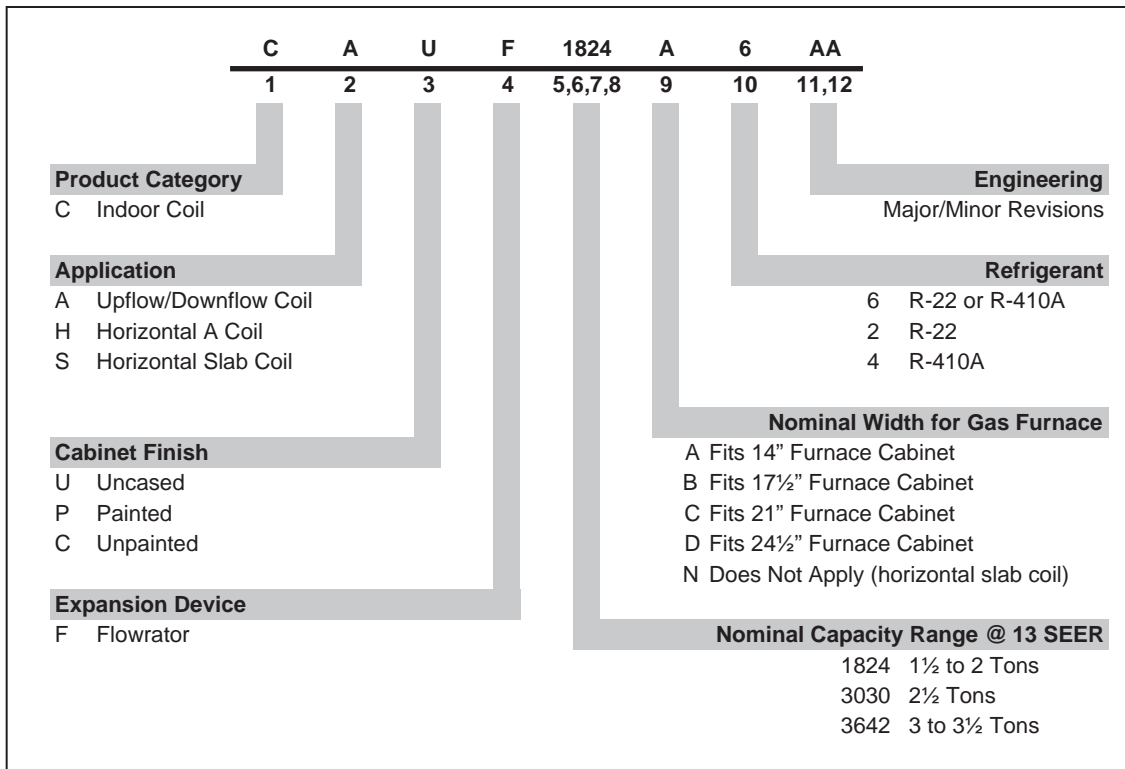
### Cased Coil Cabinet Features

- Foil-face insulation
- Galvanized leather-grain finish
- Architectural Gray paint finish on CAPF and CHPF cased coils
- Split-seam front for easy access
- 17½", 21", and 24½" CHPF coils have one 3½" adapter plate
- 17½", 21", and 24½" CAPF coils have two 1¾" adapter plates

**Note:** Do not use these coils on oil furnaces or any applications where the temperature on the drain pan may exceed 300°F. If these coils are applied with an oil furnace or another application where high temperatures threaten or jeopardize the durability of the drain pan, you must replace the factory-installed drain pan with a high-temperature drain pan. High-temperature drain pan kits are available as field-installed accessories.



## NOMENCLATURE



## ACCESSORIES

### EXPANSION VALVE KITS

Kit Number	Description	Application	Refrigerant	Tonnage: Outdoor Unit
XVB18-36C	20% Bleed Valve	AC Only	R-22	1½ - 3 Ton
XVB42-60C	20% Bleed Valve	AC Only	R-22	3½ - 5 Ton
XV18-36C	Non-bleed Valve	AC Only	R-22	1½ - 3 Ton
XV42-60C	Non-bleed Valve	AC Only	R-22	3½ - 5 Ton
TX2N2	Non-bleed Valve	AC or HP	R-22	1½ - 2 Ton
TX3N2	Non-bleed Valve	AC or HP	R-22	2½ - 3 Ton
TX5N2	Non-bleed Valve	AC or HP	R-22	3½ - 5 Ton
TX2N4	Non-bleed Valve	AC or HP	R-410A	1½ - 2 Ton
TX3N4	Non-bleed Valve	AC or HP	R-410A	2½ - 3 Ton
TX5N4	Non-bleed Valve	AC or HP	R-410A	3½ - 5 Ton

**Note:** Condensing units and heat pumps with reciprocating compressors require the use of start-assist components when used in conjunction with an indoor coil using a non-bleed thermal expansion valve refrigerant metering device.

### DRAIN PAN KITS

Drain Pan Kits	Furnace Size
HTP-A	14" furnaces
HTP-B	17½" furnaces
HTP-C	21" furnaces
HTP-D	24½" furnaces

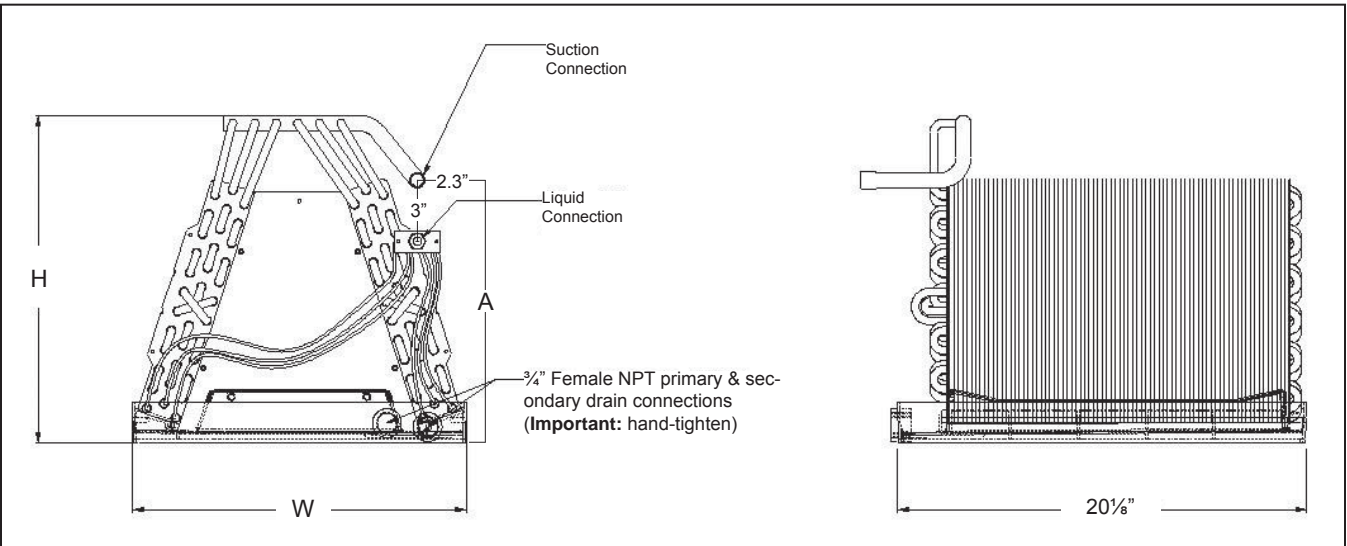
# CAUF — UNCASD UPFLOW/DOWNFLOW INDOOR COILS

## SPECIFICATIONS

Model	Dimensions				Nominal Tons	Coil Dimensions		Connection		Ship Weight (lbs)
	W	D	H	A		W	H	Liquid	Suction	
CAUF1824A6	13"	20½"	18⅛"	13"	1½-2	16¾"	14"	⅜"	¾"	20
CAUF1824B6	16½"	20½"	20"	13"	1½-2	16¾"	16"	⅜"	¾"	23
CAUF1824C6	20"	20½"	17⅝"	17"	1½-2	16¾"	14"	⅜"	¾"	27
CAUF3030A6	13"	20½"	20"	17"	2½	16¾"	16"	⅜"	¾"	23
CAUF3030B6	16½"	20½"	20"	17"	2½	16¾"	16"	⅜"	¾"	26
CAUF3030C6	20"	20½"	18⅜"	17"	2½	16¾"	16"	⅜"	¾"	29
CAUF3030D6	23"	20½"	17¾"	17"	2½	16¾"	16"	⅜"	¾"	32
CAUF3131B6	16½"	20½"	19 <sup>15</sup> / <sub>16</sub> "	17"	2½	16¾"	18"	⅜"	¾"	28
CAUF3131C6	20"	20½"	24⅛"	17"	2½	16¾"	20"	⅜"	¾"	31
CAUF3636A6	13"	20½"	24⅛"	21"	3	16¾"	22"	⅜"	7/8"	29
CAUF3636B6	16½"	20½"	23 <sup>15</sup> / <sub>16</sub> "	21"	3	16¾"	22"	⅜"	7/8"	32
CAUF3636C6	20"	20½"	23⅞"	21"	3	16¾"	22"	⅜"	7/8"	35
CAUF3636D6	23"	20½"	23⅞"	21"	3	16¾"	22"	⅜"	7/8"	38
CAUF3642C6	20"	20½"	28 <sup>5</sup> / <sub>16</sub> "	25"	3-3½	16¾"	26"	⅜"	7/8"	39
CAUF3642D6	23"	20½"	28⅛"	25"	3-3½	16¾"	26"	⅜"	7/8"	42
CAUF3743C6	20"	20½"	28 <sup>5</sup> / <sub>16</sub> "	25"	3-3½	16¾"	26"	⅜"	7/8"	46
CAUF3743D6	23"	20½"	28⅛"	25"	3-3½	16¾"	26"	⅜"	7/8"	49
CAUF4860C6	20"	20½"	28 <sup>5</sup> / <sub>16</sub> "	25"	4-5	16¾"	26"	⅜"	7/8"	48
CAUF4860D6	23"	20½"	28⅛"	25"	4-5	16¾"	26"	⅜"	7/8"	51
CAUF4961C6	20"	20½"	28 <sup>5</sup> / <sub>16</sub> "	25"	4-5	16¾"	26"	⅜"	7/8"	54
CAUF4961D6	23"	20½"	28⅛"	25"	4-5	16¾"	26"	⅜"	7/8"	58

Note: For a properly matched system, refer to specification sheet of the corresponding Goodman® outdoor unit.

## DIMENSIONS



# PRODUCT SPECIFICATIONS

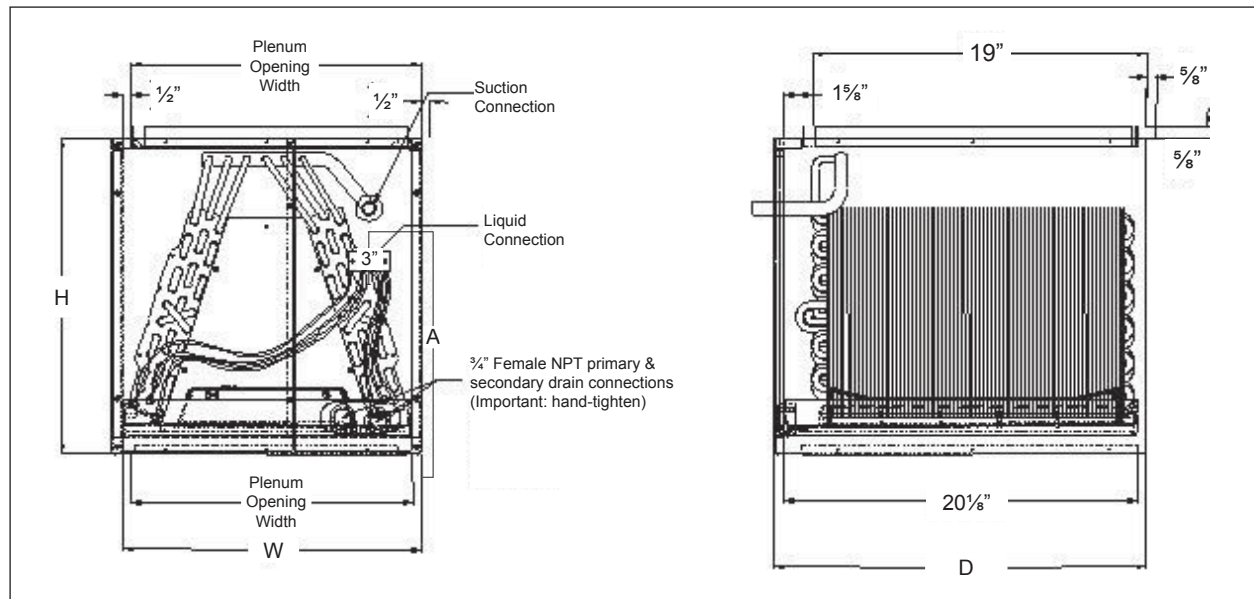
## CAPF — CASED UPFLOW/DOWNFLOW INDOOR COILS

### SPECIFICATIONS

Model	Dimensions			Plenum Opening		Evap Coil Face Area*	Coil Dimensions		Nominal Tons	Connection		Ship Weight (lbs)
	W	D	H	W	H		W	H		Liquid	Suction	
CAPF1824A6	14"	21"	18"	13"	17"	3¼	16¾"	14"	1½-2	⅜"	¾"	35
CAPF1824B6	17½"	21"	18"	16½"	17"	3⅝ <sub>7</sub>	16¾"	16"	1½-2	⅜"	¾"	40
CAPF1824C6	21"	21"	22"	20"	21"	3¼	16¾"	14"	1½-2	⅜"	¾"	44
CAPF3030A6	14"	21"	22"	13"	21"	3¼	16¾"	16"	2½	⅜"	¾"	39
CAPF3030B6	17½"	21"	22"	16½"	21"	3¼	16¾"	16"	2½	⅜"	¾"	43
CAPF3030C6	21"	21"	22"	20"	21"	3¼	16¾"	16"	2½	⅜"	¾"	47
CAPF3030D6	24½"	21"	22"	23½"	21"	3¼	16¾"	16"	2½	⅜"	¾"	52
CAPF3131B6	17½"	21"	22"	16½"	21"	4⅓ <sub>5</sub>	16¾"	18"	2½	⅜"	¾"	45
CAPF3131C6	21"	21"	26"	20"	25"	4⅔ <sub>3</sub>	16¾"	20"	2½	⅜"	¾"	50
CAPF3636A6	14"	21"	26"	13"	25"	5⅛	16¾"	22"	3	⅜"	7⁄8"	46
CAPF3636B6	17½"	21"	26"	16½"	25"	5⅛	16¾"	22"	3	⅜"	7⁄8"	50
CAPF3636C6	21"	21"	26"	20"	25"	5⅛	16¾"	22"	3	⅜"	7⁄8"	57
CAPF3636D6	24½"	21"	26"	23½"	25"	5⅛	16¾"	22"	3	⅜"	7⁄8"	65
CAPF3642C6	21"	21"	30"	20"	29"	6	16¾"	26"	3-3½	⅜"	7⁄8"	64
CAPF3642D6	24½"	21"	30"	23½"	29"	6	16¾"	26"	3-3½	⅜"	7⁄8"	71
CAPF3743C6	21"	21"	30"	20"	29"	6	16¾"	26"	3-3½	⅜"	7⁄8"	71
CAPF3743D6	24½"	21"	30"	23½"	29"	6	16¾"	26"	3-3½	⅜"	7⁄8"	78
CAPF4860C6	21"	21"	30"	20"	29"	6	16¾"	26"	4-5	⅜"	7⁄8"	73
CAPF4860D6	24½"	21"	30"	23½"	29"	6	16¾"	26"	4-5	⅜"	7⁄8"	80
CAPF4961C6	21"	21"	30"	20"	29"	6	16¾"	26"	4-5	⅜"	7⁄8"	80
CAPF4961D6	24½"	21"	30"	23½"	29"	6	16¾"	26"	4-5	⅜"	7⁄8"	87

\* (ft<sup>2</sup>)

### DIMENSIONS



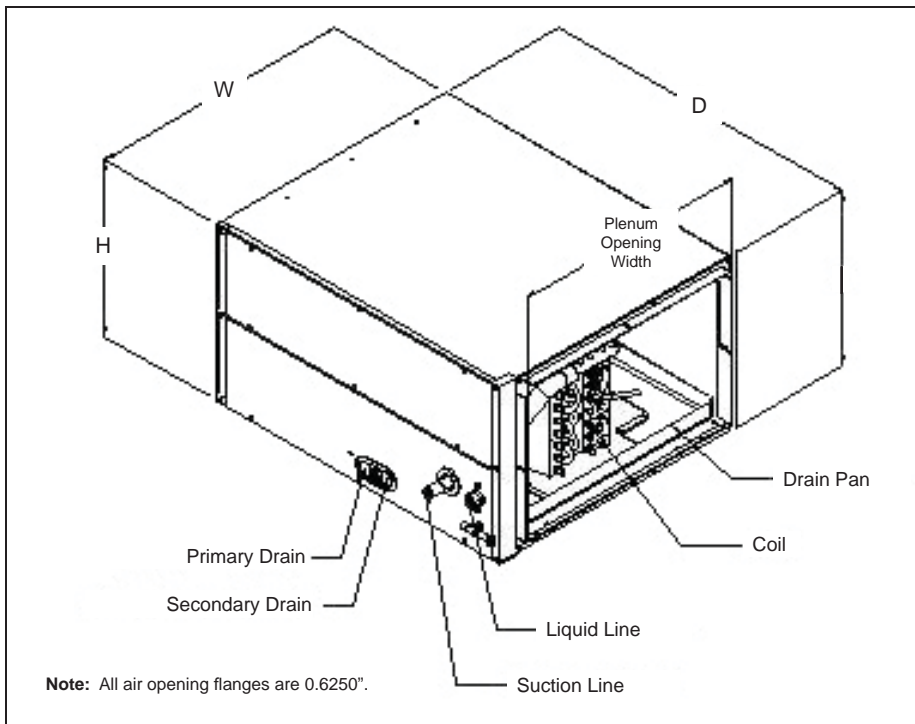
# CHPF — CASED HORIZONTAL “A” INDOOR COIL

## SPECIFICATIONS

Model	Cabinet Dimensions			Plenum Opening		Nominal Tons	Evap Coil Face Area*	Coil Dimensions		Connection		Ship Weight (lbs)
	W	D	H	W	H			W	H	Liquid	Suction	
CHPF1824A6	21 1/8"	26"	14"	19"	13"	1 1/2-2	3 1/3	20 1/8"	12"	3/8"	3/4"	36
CHPF2430B6	21 1/8"	26"	17 1/2"	19"	16 1/2"	2-2 1/2	4 1/2	20 1/8"	16"	3/8"	3/4"	55
CHPF3636B6	21 1/8"	26"	17 1/2"	19"	16 1/2"	3	4 1/3	19 1/2"	16"	3/8"	7/8"	50
CHPF3642C6	21 1/8"	26"	21"	19"	20"	3-3 1/2	4 1/3	19 1/2"	16"	3/8"	7/8"	63
CHPF3642D6	21 1/8"	26"	24 1/2"	19"	23 1/2"	3-3 1/2	6	19 1/2"	22"	3/8"	7/8"	66
CHPF3743C6	21 1/8"	26"	21"	19"	20"	3-3 1/2	4 1/3	19 1/2"	16"	3/8"	7/8"	63
CHPF3743D6	21 1/8"	26"	24 1/2"	19"	23 1/2"	3-3 1/2	6	19 1/2"	22"	3/8"	7/8"	63
CHPF4860D6	21 1/8"	26"	24 1/2"	19"	23 1/2"	4-5	6	19 1/2"	22"	3/8"	7/8"	77

\* (ft<sup>2</sup>)

## DIMENSIONS



# PRODUCT SPECIFICATIONS

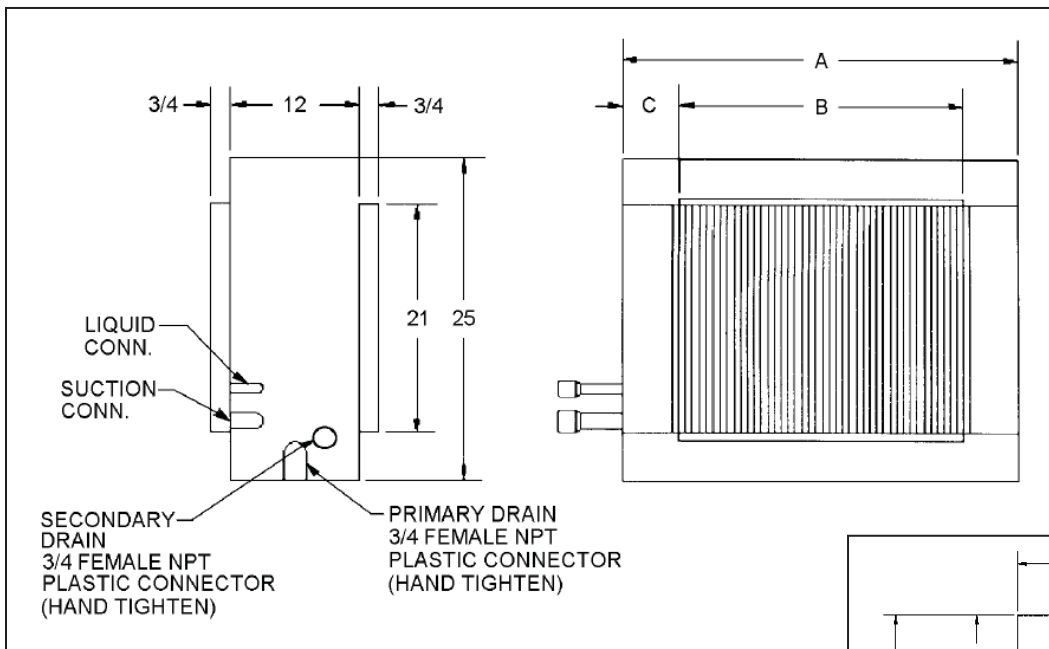
## CSCF — HORIZONTAL SLAB EVAPORATOR COILS

### SPECIFICATIONS

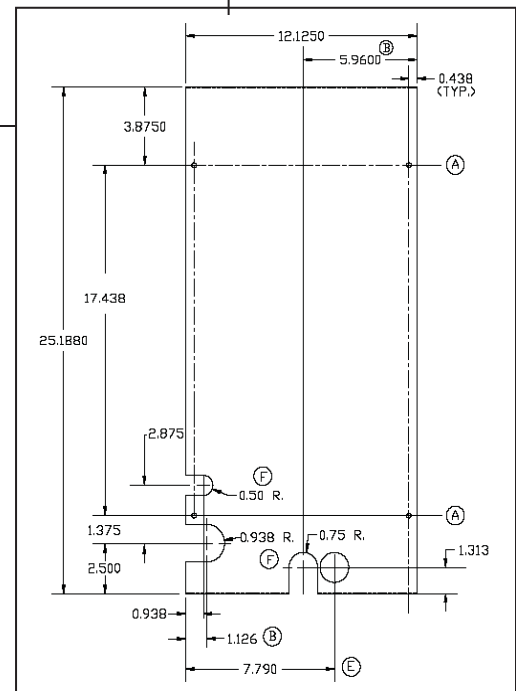
Model	Nominal Tons	Evap Coil Face Area*	Connection		Ship Weight (lbs)
			Liquid	Suction	
CSCF1824N6	1½-2	3⅓	⅜"	¼"	42
CSCF3036N6	2½-3	4⅔	⅜"	⅞"	53
CSCF3642N6	3-3½	5⅔	⅜"	⅞"	58
CSCF4860N6	4-5	5⅔	⅜"	⅞"	65

\* (ft<sup>2</sup>)

### DIMENSIONS



Model	Cabinet Dimensions			Plenum Opening		C Width	Coil Dimensions	
	W (A)	D	H	W (B)	H		W	H
CSCF1824N6	25½"	12"	25"	16"	21"	6"	19¼"	24"
CSCF3036N6	33½"	12"	25"	24"	21"	6"	28"	24"
CSCF3642N6	39½"	12"	25"	30"	21"	6"	34"	24"
CSCF4860N6	39½"	12"	25"	30"	21"	6"	34"	24"



Detail of Access Door



# PRODUCT SPECIFICATIONS

## AIRFLOW DATA FOR CHPF

### AIR QUANTITY (SCFM) vs. PRESSURE DROP (IN. WC)

CHPF 1824A6*	SCFM	600	700	800	900	1000	1100	1200	1300	1400						
	Wet	0.132	0.179	0.222	0.272	0.327	0.381	0.456	0.522	0.605						
	Dry	0.126	0.165	0.206	0.249	0.302	0.354	0.414	0.478	0.563						
CHPF 2430B6*	SCFM	600	700	800	900	1000	1100	1200	1300	1400	1500	1600				
	Wet	0.106	0.124	0.152	0.184	0.218	0.258	0.301	0.350	0.406	0.460	0.514				
	Dry	0.101	0.122	0.145	0.174	0.209	0.247	0.288	0.333	0.381	0.428	0.484				
CHPF 3636B6*	SCFM	600	700	800	900	1000	1100	1200	1300	1400	1500	1600				
	Wet	0.107	0.131	0.167	0.199	0.239	0.291	0.338	0.389	0.439	0.494	0.552				
	Dry	0.102	0.126	0.152	0.184	0.220	0.259	0.303	0.349	0.401	0.458	0.516				
CHPF 3642C6*	SCFM	800	900	1000	1100	1200	1300	1400	1500	1600	1700	1800				
	Wet	0.083	0.103	0.126	0.151	0.178	0.208	0.240	0.274	0.310	0.346	0.383				
	Dry	0.073	0.096	0.120	0.144	0.169	0.196	0.224	0.254	0.286	0.319	0.354				
CHPF 3743C6*	SCFM	800	900	1000	1100	1200	1300	1400	1500	1600	1700	1800				
	Wet	0.133	0.153	0.176	0.201	0.228	0.258	0.290	0.324	0.360	0.396	0.433				
	Dry	0.123	0.146	0.170	0.194	0.219	0.246	0.274	0.304	0.336	0.369	0.404				
CHPF 3642D6*	SCFM	800	900	1000	1100	1200	1300	1400	1500	1600	1700	1800	1900	2000	2100	2200
	Wet	0.087	0.091	0.101	0.111	0.131	0.151	0.171	0.201	0.221	0.251	0.281	0.301	0.341	0.361	0.391
	Dry	0.058	0.081	0.101	0.111	0.131	0.151	0.171	0.191	0.211	0.241	0.261	0.291	0.321	0.351	0.381
CHPF 3743D6*	SCFM	800	900	1000	1100	1200	1300	1400	1500	1600	1700	1800	1900	2000	2100	2200
	Wet	0.101	0.105	0.115	0.125	0.145	0.165	0.185	0.215	0.235	0.265	0.295	0.315	0.355	0.375	0.405
	Dry	0.072	0.095	0.105	0.115	0.135	0.155	0.185	0.205	0.225	0.255	0.275	0.305	0.335	0.365	0.395
CHPF 4860D6*	SCFM	900	1000	1100	1200	1300	1400	1500	1600	1700	1800	1900	2000	2100	2200	
	Wet	0.101	0.121	0.131	0.161	0.181	0.201	0.231	0.261	0.291	0.321	0.361	0.391	0.431	0.471	
	Dry	0.101	0.121	0.141	0.161	0.181	0.201	0.221	0.251	0.281	0.311	0.341	0.371	0.411	0.441	

## AIRFLOW DATA FOR CSCF

### AIR QUANTITY (SCFM) vs. PRESSURE DROP (IN. WC)

CSCF 1824N6*	SCFM	500	600	700	800	900	1000	1100	1200							
	Wet	0.011	0.027	0.049	0.067	0.095	0.121	0.141	0.153							
	Dry	0.007	0.016	0.029	0.041	0.056	0.071	0.089	0.108							
CSCF 3036N6*	SCFM	700	800	900	1000	1100	1200	1300	1400							
	Wet	0.019	0.023	0.030	0.039	0.049	0.052	0.070	0.081							
	Dry	0.060	0.013	0.020	0.028	0.036	0.045	0.053	0.063							
CSCF 3642N6*	SCFM	800	900	1000	1100	1200	1300	1400	1500	1600	1700	1800	1900	2000	2100	2200
	Wet	0.011	0.016	0.021	0.034	0.044	0.062	0.073	0.096	0.106	0.113	0.123	0.14	0.15	0.21	0.26
	Dry	0.005	0.010	0.016	0.022	0.029	0.035	0.043	0.051	0.062	0.071	0.080	0.1	0.12	0.18	0.24
CSCF 4860N6*	SCFM	800	900	1000	1100	1200	1300	1400	1500	1600	1700	1800	1900	2000	2100	2200
	Wet	0.021	0.033	0.045	0.055	0.067	0.090	0.103	0.125	0.135	0.156	0.188	0.23	0.25	0.28	0.31
	Dry	0.014	0.021	0.030	0.037	0.047	0.055	0.065	0.088	0.095	0.103	0.121	0.18	0.2	0.23	0.25

Goodman Manufacturing Company, L.P., reserves the right to discontinue, or change at any time, specifications or designs without notice or without incurring obligations.

Copyright © 2008 • Goodman Manufacturing Company, L.P. • Houston, Texas • Printed in the USA.