



Air Conditioning & Heating

## PRODUCT SPECIFICATIONS



# 13 SEER/ 80% AFUE

## 2 – 5 Ton

**COOLING CAPACITIES: 24,000 TO 56,800 BTU/H**

**HEATING CAPACITIES: 46,000 TO 138,000 BTU/H**



# GPG13

## SINGLE-PHASE, SELF-CONTAINED PACKAGED GAS/ELECTRIC

The GPG13 Packaged Gas/Electric Unit features energy-efficient cooling and heating performance in one self-contained unit. It is housed in a heavy-gauge, galvanized-steel cabinet with a high-quality, UV-resistant powder-paint finish. This unit allows for a ground-level or rooftop mount and horizontal or downflow applications.

### Standard Features

- High-efficiency compressor; two-stage compressor on 5-ton Rev AA models only
- Copper tube/aluminum fin coil with flowrater expansion device; TXV on 5-ton models only
- Recirculating blower motor: PSC type on 2 to 3½ ton; ECM type on 4 and 5 ton
- Fully charged R-22 system
- Durable, corrosion-resistant T-140 aluminized steel tubular heat exchanger
- Redundant gas valve, natural gas and easy conversion to propane
- Power-assisted combustion
- Direct spark ignition system includes a microprocessor-based control for the entire ignition sequence, all blower operation, and all safety circuits complete with self-diagnostics
- California Low NOx approved

### Cabinet Features

- High-quality UV-resistant powder-paint finish
- Horizontal or downflow application
- Convenient access panels
- One roof curb fits all units
- Fully insulated cabinet
- Bottom, 2" high base rails for easier handling
- All GPG13 models fit in a standard-size pick-up truck
- When properly anchored, meets the 2001 Florida Building Code unit integrity requirements for hurricane-type winds

### Contents

Nomenclature.....	2
Product Specifications.....	3
Evaporator Blower Specifications.....	6
Expanded Cooling Data.....	10
Dimensions.....	24
Wiring Diagrams .....	25
Accessories .....	35



NOMENCLATURE

	G	P	G	13	24	045	3	A	
	1	2	3	4,5	6,7	8, 9, 10	11	12	
<b>Brand</b>	G Goodman								<b>Engineering</b>
									Revisions
<b>Product Category</b>	P Packaged Unit								<b>Electrical</b>
									1 208-230/1/60
<b>Unit Type</b>	G Gas/Electric								3 208-230/3/60
<b>Efficiency</b>	13 13 SEER								<b>Heat Input</b>
	15 15 SEER								45 46 MBTU/h
									70 69 MBTU/h
<b>Nominal Capacity</b>	24 2 Tons								90 92 MBTU/h
	30 2½ tons								115 115 MBTU/h
	36 3 Tons								140 138 MBTU/h
	42 3½ Tons								
	48 4 Tons								
	60 5 Tons								

**SPECIFICATIONS**

	GPG13240451A	GPG13240701A	GPG13300451A	GPG13300701A	GPG13360451A
<b>Cooling Capacity (BTU/h)</b>					
Total	24,000	24,000	29,000	29,000	35,400
Sensible	18,200	18,200	22,600	22,600	27,300
SEER/EER	13.0/11.3	13.0/11.3	13.0/11.3	13.0/11.3	13.0/11.3
Decibels	76.0	76.0	76.0	76.0	76.0
<b>Heating Capacity (BTU/h)</b>					
Input	46,000	69,000	46,000	69,000	46,000
Output	36,700	55,000	36,700	55,000	36,700
AFUE	80.0	80.0	80.0	80.0	80.0
Temperature Rise Range	30 - 60	35 - 65	30 - 60	35 - 65	30 - 60
No. of Burners	2	3	2	3	2
Orifice Size (Natural/Propane)	43" / 55"	43" / 55"	43" / 55"	43" / 55"	43" / 55"
<b>Evaporator Motor</b>					
Type	DD	DD	DD	DD	DD
Wheel (D x W)	10" x 8"	10" x 8"	10" x 8"	10" x 8"	10" x 9"
Indoor Nominal CFM	750	750	1,000	1,000	1,200
Motor Speed Tap (Cooling)	Med	Med	Med	Med	High
RPM/Amps (Cooling)	970/1.1	970/1.1	1,000/1.4	1,000/1.4	1,070/2.3
Horsepower - RPM	1/4 - 1,080	1/4 - 1,080	1/3 - 1,080	1/3 - 1,080	1/3 - 1,080
<b>Evaporator Coil</b>					
Face Area (ft <sup>2</sup> )	4.33	4.33	4.33	4.33	4.33
Rows Deep/Fins per Inch	3 / 14	3 / 14	3 / 14	3 / 14	4 / 14
Piston Size (Cooling)	0.059"	0.059"	0.068"	0.068"	0.071"
Filter Size (ft <sup>2</sup> )	2.7	2.7	3.3	3.3	4.2
Drain Size (NPT)	3/4"	3/4"	3/4"	3/4"	3/4"
Refrigerant Charge (oz.)	70	70	77	77	110
<b>Condenser Fan</b>					
Horsepower - RPM	1/6 - 850	1/6 - 850	1/4 - 1,075	1/4 - 1,075	1/4 - 1,075
Fan Diameter/No. of Blades	22" / 3	22" / 3	22" / 3	22" / 3	22" / 3
Outdoor Nominal CFM	2,400	2,400	2,700	2,700	2,700
<b>Condenser Coil</b>					
Face Area (ft <sup>2</sup> )	12.4	12.4	12.4	12.4	12.4
Rows Deep/Fins per Inch	1 / 19	1 / 19	1 / 19	1 / 19	2 / 16
<b>Electrical Data</b>					
Voltage/Phase/Frequency	208-230/1/60	208-230/1/60	208-230/1/60	208-230/1/60	208-230/1/60
Compressor RLA/LRA	9.2 / 43.0	9.2 / 43.0	10.3 / 49.0	10.3 / 49.0	14.1 / 61.0
Indoor Blower FLA/LRA	1.5 / 2.2	1.5 / 2.2	2.4 / 2.6	2.4 / 2.6	3.0/3.3
Outdoor Fan RLA/LRA	0.8 / 1.7	0.8 / 1.7	1.8 / 3.8	1.8 / 3.8	1.8 / 3.8
Total Unit Amps	9.2	9.2	11.7	11.7	13.1
Min. Circuit Ampacity	13.8	13.8	16.6	16.6	21.6
Max. Overcurrent Device	20	20	20	20	30
Entrance Size Power Supply	1-1/8"	1-1/8"	1-1/8"	1-1/8"	1-1/8"
Entrance Size Control Voltage	7/8"	7/8"	7/8"	7/8"	7/8"
<b>Operating Weight (lbs)</b>	412	417	415	420	449
<b>Ship Weight (lbs)</b>	435	439	438	442	470

# PRODUCT SPECIFICATIONS

## SPECIFICATIONS (CONT.)

	GPG13360701A	GPG13360901A	GPG13420701A	GPG13420901A	GPG13480701A
<b>Cooling Capacity (BTU/h)</b>					
Total	35,400	35,400	41,600	41,600	47,200
Sensible	27,300	27,300	32,000	32,000	36,600
SEER/EER	13.0 / 11.3	13.0 / 11.3	13.0 / 11.3	13.0 / 11.3	13.0 / 11.3
Decibels	76.0	76.0	76.0	76.0	76.0
<b>Heating Capacity (BTU/h)</b>					
Input	69,000	92,000	69,000	92,000	69,000
Output	55,000	72,900	55,000	72,900	55,000
AFUE	80.0	80.0	80.0	80.0	80.0
Temperature Rise Range	35 - 65	45 - 75	35 - 65	45 - 75	35 - 65
No. of Burners	3	4	3	4	3
Orifice Size (Natural/Propane)	43" / 55"	43" / 55"	43" / 55"	43" / 55"	43" / 55"
<b>Evaporator Motor</b>					
Type	DD	DD	DD	DD	ECM
Wheel (D x W)	10" x 9"	10" x 9"	10" x 10"	10" x 10"	11" x 10"
Indoor Nominal CFM	1,200	1,200	1,350	1,350	1,510
Motor Speed Tap (Cooling)	High	High	Medium	Medium	"B" Mode
RPM/Amps (Cooling)	1,070/2.3	1,070/2.3	940/2.5	940/2.5	990/3.1
Horsepower - RPM	1/3 - 1,080	1/3 - 1,080	1/3 - 1,080	1/3 - 1,080	3/4 - 1,100
<b>Evaporator Coil</b>					
Face Area (ft <sup>2</sup> )	4.33	4.33	5.67	5.67	5.67
Rows Deep/Fins per Inch	4 / 14	4 / 14	4 / 14	4 / 14	4 / 14
Piston Size (Cooling)	0.071"	0.071"	0.078"	0.078"	0.080"
Filter Size (ft <sup>2</sup> )	4.2	4.2	4.7	4.7	5.1
Drain Size (NPT)	3/4"	3/4"	3/4"	3/4"	3/4"
Refrigerant Charge (oz.)	110	110	101	101	130
<b>Condenser Fan</b>					
Horsepower - RPM	1/4 - 1,075	1/4 - 1,075	1/4 - 1,075	1/4 - 1,075	1/3 - 1,075
Fan Diameter/No. of Blades	22" / 3	22" / 3	22" / 3	22" / 3	22" / 4
Outdoor Nominal CFM	2,700	2,700	2,700	2,700	3,500
<b>Condenser Coil</b>					
Face Area (ft <sup>2</sup> )	12.4	12.4	15.3	15.3	15.3
Rows Deep/Fins per Inch	2 / 16	2 / 16	1 / 19	1 / 19	2 / 16
<b>Electrical Data</b>					
Voltage/Phase/Frequency	208-230/1/60	208-230/1/60	208-230/1/60	208-230/1/60	208-230/1/60
Compressor RLA/LRA	14.1 / 61.0	14.1 / 61.0	16.6 / 95.0	16.6 / 95.0	18.0 / 104.0
Indoor Blower FLA/LRA	3.0 / 3.3	3.0 / 3.3	3.0 / 4.5	3.0 / 4.5	6.0 / 12.2
Outdoor Fan RLA/LRA	1.8 / 3.8	1.8 / 3.8	1.8 / 3.8	1.8 / 3.8	2.4 / 5.2
Total Unit Amps	13.1	13.1	16.6	16.6	18.5
Min. Circuit Ampacity	21.6	21.6	25.6	25.6	30.9
Max. Overcurrent Device	30	30	40	40	40
Entrance Size Power Supply	1-1/8"	1-1/8"	1-1/8"	1-1/8"	1-1/8"
Entrance Size Control Voltage	7/8"	7/8"	7/8"	7/8"	7/8"
<b>Operating Weight (lbs)</b>	453	458	493	496	518
<b>Ship Weight (lbs)</b>	475	480	515	520	540

**SPECIFICATIONS (CONT.)**

	GPG13480901A	GPG13481151A	GPG13600901A	GPG13601151A	GPG13601401A
<b>Cooling Capacity (BTU/h)</b>					
Total	47,200	47,200	56,800	56,800	56,800
Sensible	36,600	36,600	42,800	42,800	42,800
EER	11.3	11.3	10.3	10.3	10.3
<b>Low-Stage Cooling Capacity</b>					
Total	N/A	N/A	42,800	42,800	42,800
Sensible	N/A	N/A	32,400	32,400	32,400
SEER/EER	13.0/N/A	13.0/N/A	13.0/11.3	13.0/11.3	13.0/11.3
Decibels	76.0	76.0	76.0	76.0	76.0
<b>Heating Capacity (BTU/h)</b>					
Input	92,000	115,000	92,000	115,000	138,000
Output	72,900	91,200	72,900	91,200	110,200
AFUE	80.0	80.0	80.0	80.0	80.0
Temperature Rise Range	45 - 75	45 - 75	45 - 75	45 - 75	45 - 75
No. of Burners	4	5	4	5	6
Orifice Size (Natural/Propane)	43" / 55"	43" / 55"	43" / 55"	43" / 55"	43" / 55"
<b>Evaporator Motor</b>					
Type	ECM	ECM	ECM	ECM	ECM
Wheel (D x W)	11" x 10"	11" x 10"	11" x 10"	11" x 10"	11" x 10"
Indoor Nominal CFM	1,510	1,510	1,810	1,810	1,810
Motor Speed Tap (Cooling)	"B" Mode	"B" Mode	"A" Mode	"A" Mode	"A" Mode
RPM/Amps (Cooling)	990/3.1	990/3.1	1,080/4.7	1,080/4.7	1,080/4.7
Horsepower - RPM	3/4 - 1,100	3/4 - 1,100	1 - 1,100	1 - 1,100	1 - 1,100
<b>Evaporator Coil</b>					
Face Area (ft <sup>2</sup> )	5.67	5.67	5.67	5.67	5.67
Rows Deep/Fins per Inch	4 / 14	4 / 14	4 / 14	4 / 14	4 / 14
Piston Size (Cooling)	0.080"	0.080"	TXV	TXV	TXV
Filter Size (ft <sup>2</sup> )	5.1	5.1	6.3	6.3	6.3
Drain Size (NPT)	3/4"	3/4"	3/4"	3/4"	3/4"
Refrigerant Charge (oz.)	130	130	142	142	142
<b>Condenser Fan</b>					
Horsepower - RPM	1/3 - 1,075	1/3 - 1,075	1/3 - 1,075	1/3 - 1,075	1/3 - 1,075
Fan Diameter/No. of Blades	22" / 4	22" / 4	22" / 4	22" / 4	22" / 4
Outdoor Nominal CFM	3,500	3,500	3,500	3,500	3,500
<b>Condenser Coil</b>					
Face Area (ft <sup>2</sup> )	15.3	15.3	15.3	15.3	15.3
Rows Deep/Fins per Inch	2 / 16	2 / 16	2 / 16	2 / 16	2 / 16
<b>Electrical Data</b>					
Voltage/Phase/Frequency	208-230/1/60	208-230/1/60	208-230/1/60	208-230/1/60	208-230/1/60
Compressor RLA/LRA	18.0 / 104.0	18.0 / 104.0	25.0 / 148.0	25.0 / 148.0	25.0 / 148.0
Indoor Blower FLA/LRA	6.0 / 12.2	6.0 / 12.2	7.0 / 12.2	7.0 / 12.2	7.0 / 12.2
Outdoor Fan RLA/LRA	2.4 / 5.2	2.4 / 5.2	2.4 / 5.2	2.4 / 5.2	2.4 / 5.2
Total Unit Amps	18.5	18.5	23.1	23.1	23.1
Min. Circuit Ampacity	30.9	30.9	41.3	41.3	41.3
Max. Overcurrent Device	40	40	50	50	50
Entrance Size Power Supply	1-1/8"	1-1/8"	1-1/8"	1-1/8"	1-1/8"
Entrance Size Control Voltage	7/8"	7/8"	7/8"	7/8"	7/8"
<b>Operating Weight (lbs)</b>	523	528	533	538	543
<b>Ship Weight (lbs)</b>	545	550	555	560	565

## EVAPORATOR BLOWER SPECIFICATIONS WITH PSC MOTORS

### GPG13— 2-TON MODELS

Motor Speed	High				Med				Low			
E.S.P.	CFM	Watts	RPM	Amps	CFM	Watts	RPM	Amps	CFM	Watts	RPM	Amps
0.1	1,190	380	823	1.67	850	230	647	1.02	600	150	514	0.67
0.2	1,140	360	845	1.62	830	220	690	1.00	570	140	585	0.65
0.3	1,080	350	878	1.58	765	215	740	0.97	510	130	654	0.63
0.4	1,025	340	907	1.54	715	210	784	0.94	450	125	728	0.61
0.5	975	330	933	1.38	660	205	834	0.90	380	120	801	0.58
0.6	920	310	945	1.37	610	195	888	0.88	-	-	-	-
0.7	830	300	961	1.35	-	-	-	-	-	-	-	-
0.8	730	290	978	1.32	-	-	-	-	-	-	-	-

### GPG13— 2½-TON AA MODELS

Speed	High				Med-High				Med-Low				Low			
E.S.P.	CFM	Watts	RPM	Amps	CFM	Watts	RPM	Amps	CFM	Watts	RPM	Amps	CFM	Watts	RPM	Amps
0.1	1,460	540	955	2.39	1,370	500	900	2.15	1,160	420	779	1.82	920	325	657	1.43
0.2	1,420	520	972	2.32	1,330	485	927	2.10	1,130	400	828	1.76	890	310	712	1.40
0.3	1,340	500	100	2.24	1,270	470	955	2.05	1,100	390	867	1.70	870	300	769	1.36
0.4	1,285	480	1,016	2.16	1,210	450	988	1.95	1,045	375	905	1.64	850	290	817	1.32
0.5	1,230	460	1,032	2.07	1,160	430	1,005	1.88	1,000	360	939	1.58	800	280	867	1.25
0.6	1,145	430	1,051	1.98	1,080	405	1,032	1.79	950	345	970	1.46	-	-	-	-
0.7	1,070	410	1,066	1.90	1,000	385	1,050	1.70	880	330	997	1.42	-	-	-	-
0.8	980	390	1,079	1.80	920	360	1,064	1.72	810	315	1,021	1.39	-	-	-	-

### GPG13— 2½-TON AB MODELS

Motor Speed	High				Med				Low			
E.S.P.	CFM	Watts	RPM	Amps	CFM	Watts	RPM	Amps	CFM	Watts	RPM	Amps
0.1	1,370	509	899	2.23	1,261	452	840	1.95	1,056	350	723	1.51
0.2	1,310	492	926	2.13	1,221	442	867	1.9	1,010	339	773	1.43
0.3	1,262	489	942	2.09	1,174	428	899	1.84	971	343	800	1.45
0.4	1,208	475	963	2.06	1,125	414	921	1.8	937	329	836	1.41
0.5	1,140	453	982	1.93	1,063	398	948	1.7	878	318	852	1.27
0.6	1,081	440	999	1.9	1,004	380	971	1.66	811	306	917	1.29
0.7	1,006	425	1,017	1.88	919	368	998	1.59	723	291	960	1.21
0.8	879	403	1,043	1.74	796	371	1,033	1.46	545	259	1,013	1.1

### GPG13— 3-TON AA MODELS

Speed	High				Med-High				Med-Low				Low			
E.S.P.	CFM	Watts	RPM	Amps	CFM	Watts	RPM	Amps	CFM	Watts	RPM	Amps	CFM	Watts	RPM	Amps
0.1	1,590	550	950	2.41	1,470	510	894	2.25	1,230	410	784	1.91	965	315	652	1.44
0.2	1,530	525	972	2.31	1,430	480	922	2.16	1,210	400	828	1.79	945	310	713	1.42
0.3	1,480	510	1,003	2.24	1,380	460	961	2.04	1,175	385	867	1.73	925	300	773	1.35
0.4	1,410	480	1,016	2.14	1,320	440	983	1.97	1,120	370	906	1.67	890	295	828	1.30
0.5	1,325	460	1,032	2.07	1,260	430	1,000	1.89	1,070	355	939	1.61	845	290	883	1.24
0.6	1,290	440	1,048	2.02	1,200	395	1,015	1.82	1,010	330	968	1.51	765	260	932	1.15
0.7	1,170	400	1,060	1.88	1,095	365	1,028	1.70	890	300	1,000	1.36	655	240	985	1.07
0.8	950	345	1,075	1.69	900	320	1,041	1.50	720	270	1,031	1.22	515	210	1,020	0.97

## EVAPORATOR BLOWER SPECIFICATIONS WITH PSC MOTORS (CONT.)

### GPG13— 3-TON AB MODELS

Motor Speed	High				Med				Low			
E.S.P	CFM	Watts	RPM	Amps	CFM	Watts	RPM	Amps	CFM	Watts	RPM	Amps
0.1	1,462	596	957	2.58	1,337	471	885	2.08	1,029	346	732	1.51
0.2	1,398	563	972	2.53	1,265	452	921	2.01	982	334	775	1.46
0.3	1,326	550	988	2.47	1,227	448	934	1.97	946	329	808	1.4
0.4	1,260	534	1,002	2.39	1,159	429	955	1.87	888	313	846	1.38
0.5	1,188	513	1,012	2.34	1,073	405	980	1.73	823	304	891	1.29
0.6	1,090	496	1,034	2.27	1,008	393	997	1.71	750	287	932	1.23
0.7	997	478	1,047	2.2	895	371	1,025	1.61	668	271	971	1.16
0.8	852	454	1,064	2.16	760	346	1,050	1.49	454	238	1,017	1

### GPG13— 3½-Ton MODELS

Motor Speed	High				Med				Low			
E.S.P.	CFM	Watts	RPM	Amps	CFM	Watts	RPM	Amps	CFM	Watts	RPM	Amps
0.1	1,575	585	934	2.64	1,450	480	862	2.15	1,100	340	709	1.55
0.2	1,515	565	951	2.58	1,390	460	894	2.06	1,040	325	760	1.49
0.3	1,430	550	974	2.50	1,300	445	922	1.98	1,000	320	816	1.44
0.4	1,340	525	995	2.42	1,215	425	950	1.89	925	305	848	1.38
0.5	1,240	505	1,005	2.34	1,115	395	967	1.79	860	290	887	1.32
0.6	1,130	465	1,030	2.22	1,030	375	1,000	1.71	800	275	920	1.22
0.7	1,010	450	148	2.18	945	350	1,028	1.60	690	255	964	1.16
0.8	910	430	1,064	2.12	860	335	1,038	1.54	-	-	-	-

## EVAPORATOR BLOWER SPECIFICATIONS WITH X-13 MOTORS

### GPG13- 4-TON AB MODELS — COOLING

Speed	T4 (Cooling Speed)				T5 (Cooling Speed)			
	E.S.P	CFM	Watts	RPM	CFM	Watts	RPM	
0.1	-	-	-	-	-	-	-	-
0.2	1,593	449	884	3.55	1,699	532	921	4.22
0.3	1,545	463	905	3.69	1,654	539	944	4.25
0.4	1,506	476	934	3.82	1,610	551	969	4.3
0.5	1,448	481	950	3.87	1,545	557	989	4.36
0.6	1,400	493	972	3.95	1,512	566	1,002	4.41
0.7	1,341	502	991	4.03	1,433	578	1,019	4.59
0.8	1,289	511	1,013	4.11	1,392	591	1,036	4.65

### GPG13- 5-TON BA MODELS — COOLING

Speed	T4 (Cooling Speed)				T5 (Cooling Speed)			
	E.S.P	CFM	Watts	RPM	CFM	Watts	RPM	
0.1	1,942	649	993	4.83	2,067	792	1,054	5.81
0.2	1,883	657	1,010	4.87	2,030	811	1,077	5.85
0.3	1,859	670	1,029	4.96	1,982	814	1,088	5.88
0.4	1,827	675	1,047	4.97	1,909	808	1,101	5.86
0.5	1,749	683	1,069	4.99	1,842	798	1,110	5.85
0.6	1,706	693	1,083	5.1	1,789	772	1,117	5.65
0.7	1,655	703	1,104	5.12	1,703	763	1,129	5.58
0.8	1,588	705	1,120	5.11	1,618	732	1,135	5.29

### GPG13- 4-TON AB MODELS — HEATING

Speed	T1 (Heating Speed)				T2 (Heating Speed)				T3 (Heating Speed)				
	E.S.P	CFM	Watts	RPM	Amps	CFM	Watts	RPM	Amps	CFM	Watts	RPM	Amps
0.1	-	-	-	-	-	-	-	-	-	-	-	-	-
0.2	914	125	611	1.07	1,105	186	686	1.56	1,397	323	801	2.57	
0.3	822	134	652	1.14	1,024	193	712	1.6	1,346	331	828	2.67	
0.4	733	140	691	1.2	967	202	747	1.65	1,288	342	845	2.76	
0.5	664	150	733	1.26	884	214	786	1.76	1,273	352	855	2.82	
0.6	606	154	765	1.28	816	220	818	1.78	1,178	359	889	2.88	
0.7	584	162	792	1.32	769	230	854	1.85	1,120	369	925	2.97	
0.8	551	164	801	1.34	698	236	880	1.89	1,057	381	941	3.09	

## EVAPORATOR BLOWER SPECIFICATIONS WITH X-13 MOTORS (CONT.)

### GPG13- 5-TON BA MODELS — HEATING

Speed	T1 (Heating Speed)				T2 (Heating Speed)				T3 (Heating Speed)			
	E.S.P	CFM	Watts	RPM	Amps	CFM	Watts	RPM	Amps	CFM	Watts	RPM
0.1	1,125	162	645	1.44	1,466	315	783	2.67	1,780	496	914	3.33
0.2	1,049	168	678	1.53	1,384	322	817	2.74	1,730	506	937	3.89
0.3	1,000	178	708	1.6	1,347	329	839	2.78	1,664	520	955	4.01
0.4	910	184	741	1.64	1,291	341	865	2.83	1,608	526	977	4.03
0.5	857	197	783	1.75	1,237	350	894	2.9	1,568	532	997	4.12
0.6	809	201	807	1.83	1,185	362	921	3.05	1,515	546	1,020	4.14
0.7	739	207	838	1.86	1,134	369	945	3.09	1,477	552	1,040	4.18
0.8	703	218	869	1.96	1,087	382	976	3.21	1,422	562	1,062	4.23

## EVAPORATOR BLOWER SPECIFICATIONS WITH ECM MOTORS

### GPG13—4-TON AA MODELS

Cooling Speed	Adjust Tap	CFM <sup>1</sup>	Heating Speed	Adjust Tap	CFM <sup>1</sup>
D	Minus	969	D	Minus	867
D	Normal	1,140	D	Normal	1,020
D	Plus	1,254	D	Plus	1,122
C	Minus	1,139	C	Minus	969
C	Normal	1,340	C	Normal	1,140
C	Plus	1,474	C	Plus	1,254
B	Minus	1,309	B	Minus	1,207
B	Normal	1,540	B	Normal	1,420
B	Plus	1,694	B	Plus	1,562
A	Minus	1,539	A	Minus	1,445
A	Normal	1,810	A	Normal	1,700
A	Plus	1,991	A	Plus	1,870

<sup>1</sup> @ 0.1 - 0.5 ESP

### GPG13—5-TON AA MODELS

Cooling Speed	Adjust Tap	CFM <sup>1</sup>	Heating Speed	Adjust Tap	CFM <sup>1</sup>
D	Minus	969	D	Minus	969
D	Normal	1,140	D	Normal	1,140
D	Plus	1,254	D	Plus	1,254
C	Minus	1,139	C	Minus	1,207
C	Normal	1,340	C	Normal	1,420
C	Plus	1,474	C	Plus	1,562
B	Minus	1,309	B	Minus	1,445
B	Normal	1,540	B	Normal	1,700
B	Plus	1,694	B	Plus	1,870
A	Minus	1,539	A	Minus	1,539
A	Normal	1,810	A	Normal	1,810
A	Plus	1,991	A	Plus	1,991

<sup>1</sup> @ 0.1 - 0.5 ESP

### SPEED TAP BOARD FOR 4- AND 5-TON MODELS (WITH FACTORY SETTINGS)

Models	Dip Switch Position							
	Heat				Cool			
	1	2	3	4	5	6	7	8
GPG13480701	ON	ON	OFF	OFF	ON	OFF	OFF	OFF
GPG13480901	OFF	ON	OFF	OFF	ON	OFF	OFF	OFF
GPG13481151	ON	OFF	OFF	OFF	ON	OFF	OFF	OFF
GPG13600901	ON	ON	OFF	OFF	OFF	OFF	OFF	OFF
GPG13601151	OFF	ON	OFF	OFF	OFF	OFF	OFF	OFF
GPG13601401	ON	OFF	OFF	OFF	OFF	OFF	OFF	OFF

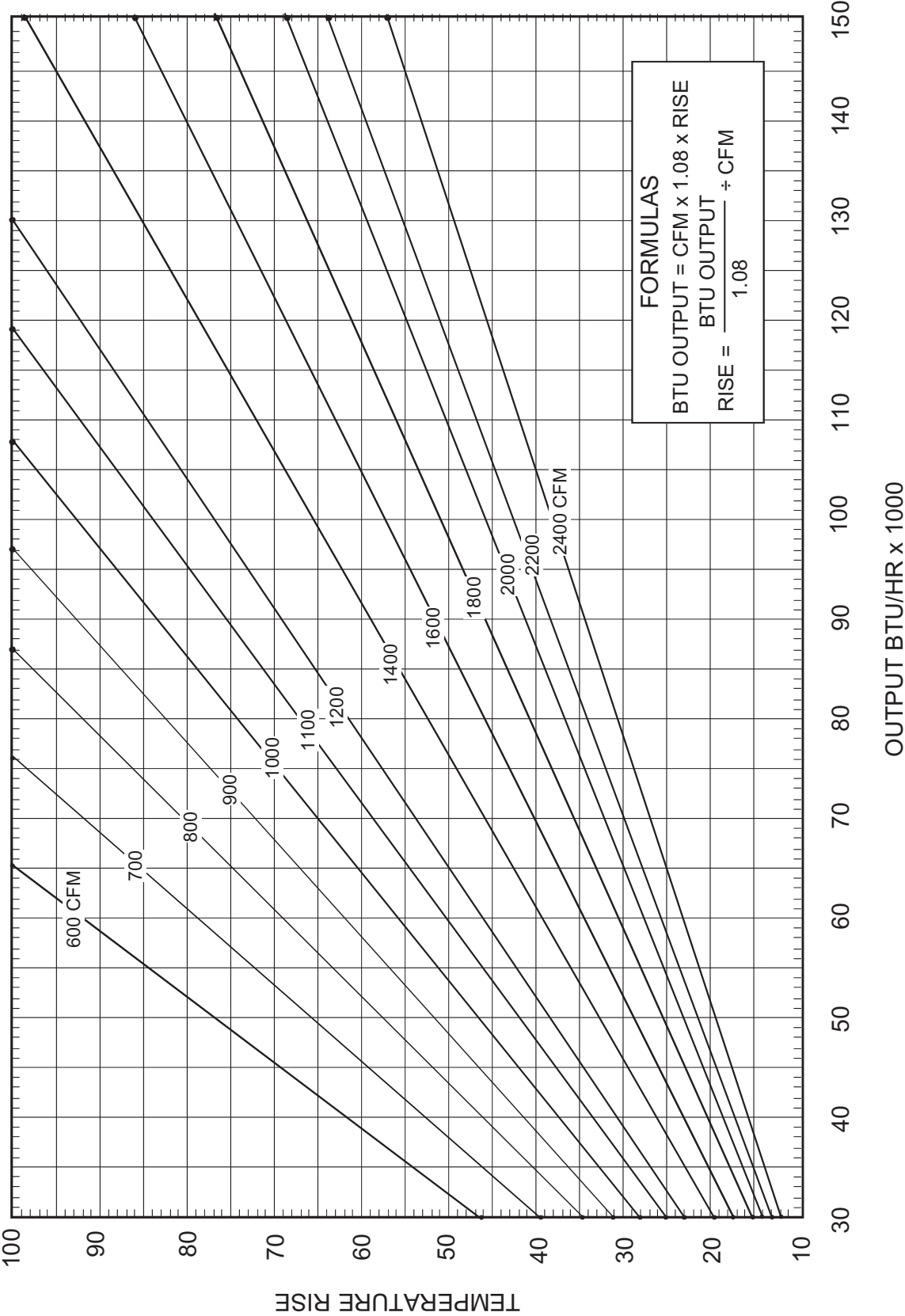
**Note:** Disconnect power to unit before moving jumper to prevent damage to TAP board.

Adjust Tap: Normal: 7 OFF, 8 OFF ; Minus: 7 OFF, 8 ON ; Plus: 7 ON, 8 OFF



EVAPORATOR BLOWER SPECIFICATIONS (CONT.)

BTU OUTPUT vs TEMPERATURE RISE CHART



**FORMULAS**  
 BTU OUTPUT = CFM x 1.08 x RISE  
 $RISE = \frac{BTU OUTPUT}{1.08 \div CFM}$

EXPANDED COOLING DATA — GPG1324\*\*\*1A

IDB		Outdoor Ambient Temperature																												
		65°F				75°F				85°F				95°F				105°F				115°F								
		59	63	67	71	59	63	67	71	59	63	67	71	59	63	67	71	59	63	67	71	59	63	67	71					
		Entering Indoor Wet Bulb Temperature																												
Airflow		59	63	67	71	59	63	67	71	59	63	67	71	59	63	67	71	59	63	67	71	59	63	67	71	59	63	67	71	
850		MBh	23.5	24.4	26.7	-	23.0	23.8	26.1	-	22.4	23.2	25.5	-	21.9	22.7	24.8	-	20.8	21.5	23.6	-	19.3	20.0	21.9	-	19.3	20.0	21.9	-
		S/T	0.76	0.64	0.44	-	0.79	0.66	0.46	-	0.81	0.68	0.47	-	0.84	0.70	0.48	-	0.87	0.72	0.50	-	0.87	0.73	0.51	-	0.87	0.73	0.51	-
		ΔT	19	17	13	-	20	17	13	-	20	17	13	-	20	17	13	-	19	17	13	-	18	16	12	-	18	16	12	-
		kW	1.67	1.70	1.76	-	1.79	1.83	1.89	-	1.90	1.94	2.00	-	2.00	2.04	2.11	-	2.08	2.13	2.19	-	2.15	2.20	2.27	-	2.15	2.20	2.27	-
		Amps	6.9	7.0	7.2	-	7.3	7.5	7.7	-	7.9	8.1	8.3	-	8.4	8.6	8.8	-	8.9	9.1	9.3	-	9.3	9.6	9.8	-	9.3	9.6	9.8	-
70		Hi PR	146	157	166	-	164	177	186	-	187	201	212	-	213	229	242	-	239	257	272	-	264	284	300	-	264	284	300	-
		Lo PR	65	69	76	-	69	73	80	-	71	76	83	-	75	80	87	-	79	84	91	-	81	86	94	-	81	86	94	-
		MBh	22.8	23.7	25.9	-	22.3	23.1	25.3	-	21.8	22.6	24.7	-	21.2	22.0	24.1	-	20.2	20.9	22.9	-	18.7	19.4	21.2	-	18.7	19.4	21.2	-
		S/T	0.73	0.61	0.42	-	0.75	0.63	0.44	-	0.77	0.64	0.45	-	0.80	0.67	0.46	-	0.83	0.69	0.48	-	0.83	0.70	0.48	-	0.83	0.70	0.48	-
		ΔT	20	18	13	-	21	18	14	-	21	18	14	-	21	18	14	-	20	18	13	-	19	17	13	-	19	17	13	-
650		kW	1.66	1.69	1.74	-	1.78	1.82	1.87	-	1.89	1.93	1.99	-	1.98	2.03	2.09	-	2.06	2.11	2.18	-	2.13	2.18	2.25	-	2.13	2.18	2.25	-
		Amps	6.8	7.0	7.1	-	7.3	7.4	7.7	-	7.8	8.0	8.2	-	8.3	8.5	8.8	-	8.8	9.0	9.3	-	9.3	9.5	9.8	-	9.3	9.5	9.8	-
		Hi PR	145	156	165	-	162	175	185	-	185	199	210	-	210	226	239	-	237	255	269	-	262	281	297	-	262	281	297	-
		Lo PR	64	68	75	-	68	72	79	-	71	75	82	-	74	79	86	-	78	83	90	-	80	86	93	-	80	86	93	-
		MBh	21.1	21.8	23.9	-	20.6	21.3	23.4	-	20.1	20.8	22.8	-	19.6	20.3	22.3	-	18.6	19.3	21.1	-	17.3	17.9	19.6	-	17.3	17.9	19.6	-

850		MBh	23.9	24.6	26.7	28.6	23.4	24.1	26.0	27.9	22.8	23.5	25.4	27.3	22.2	22.9	24.8	26.6	21.1	21.8	23.6	25.3	19.6	20.2	21.8	23.4
		S/T	0.87	0.77	0.59	0.38	0.90	0.80	0.61	0.39	0.92	0.82	0.62	0.40	0.95	0.85	0.64	0.41	0.99	0.88	0.67	0.43	0.99	0.89	0.67	0.43
		ΔT	22	21	17	12	23	21	17	12	23	21	17	12	23	21	17	12	23	21	17	12	21	19	16	11
		kW	1.68	1.72	1.77	1.82	1.81	1.85	1.90	1.96	1.92	1.96	2.02	2.09	2.02	2.06	2.12	2.19	2.10	2.14	2.21	2.28	2.17	2.22	2.29	2.36
		Amps	6.9	7.1	7.3	7.5	7.4	7.6	7.8	8.0	8.0	8.1	8.4	8.7	8.5	8.6	8.9	9.2	8.9	9.1	9.4	9.7	9.4	9.6	9.9	10.3
75		Hi PR	148	159	168	175	166	178	188	196	189	203	214	223	215	231	244	254	242	260	274	286	267	287	303	316
		Lo PR	66	70	76	81	69	74	81	86	72	77	84	89	76	81	88	94	79	84	92	98	82	87	95	102
		MBh	23.2	23.9	25.9	27.8	22.7	23.4	25.3	27.1	22.1	22.8	24.7	26.5	21.6	22.2	24.1	25.8	20.5	21.1	22.9	24.5	19.0	19.6	21.2	22.7
		S/T	0.83	0.74	0.56	0.36	0.86	0.77	0.58	0.37	0.88	0.78	0.59	0.38	0.91	0.81	0.61	0.39	0.94	0.84	0.64	0.41	0.95	0.85	0.64	0.41
		ΔT	23	22	18	12	24	22	18	12	24	22	18	12	24	22	18	12	24	22	18	12	22	20	17	12
650		kW	1.67	1.70	1.76	1.81	1.79	1.83	1.89	1.95	1.90	1.94	2.00	2.07	2.00	2.04	2.11	2.18	2.08	2.13	2.19	2.27	2.15	2.20	2.27	2.34
		Amps	6.9	7.0	7.2	7.4	7.3	7.5	7.7	8.0	7.9	8.1	8.3	8.6	8.4	8.6	8.8	9.1	8.9	9.1	9.3	9.7	9.3	9.6	9.8	10.2
		Hi PR	146	157	166	173	164	177	186	195	187	201	212	221	213	229	242	252	239	257	272	283	264	284	300	313
		Lo PR	65	69	76	80	69	73	80	85	71	76	83	88	75	80	87	93	79	84	91	97	81	87	94	101
		MBh	21.4	22.1	23.9	25.6	20.9	21.6	23.3	25.0	20.4	21.0	22.8	24.4	19.9	20.5	22.2	23.8	18.9	19.5	21.1	22.7	17.5	18.1	19.6	21.0

Shaded area reflects ACCA (TVA) conditions IDB: Entering Indoor Dry Bulb Temperature kW = Total system power Amps = outdoor unit amps (comp.+fan)  
 High and low pressures are measured at the liquid and suction service valves.

EXPANDED COOLING DATA — GPG1324\*\*\*1A (CONT.)

IDB	Airflow	Outdoor Ambient Temperature																								
		65°F				75°F				85°F				95°F				105°F				115°F				
		59	63	67	71	59	63	67	71	59	63	67	71	59	63	67	71	59	63	67	71	59	63	67	71	
80	MBh	24.3	24.9	26.6	28.4	23.8	24.3	26.0	27.7	23.2	23.7	25.3	27.1	22.6	23.1	24.7	26.4	21.5	22.0	23.5	25.1	19.9	20.4	21.8	23.3	
		S/T	0.95	0.89	0.72	0.54	1.00	0.92	0.75	0.56	1.00	0.95	0.77	0.58	1.00	1.00	0.79	0.59	1.00	1.00	0.82	0.62	1.00	1.00	0.83	0.62
	kW	1.70	1.73	1.78	1.84	1.82	1.86	1.92	1.98	1.93	1.97	2.04	2.10	2.03	2.07	2.14	2.21	2.11	2.16	2.23	2.30	2.19	2.23	2.31	2.38	
		Amps	7.0	7.1	7.3	7.6	7.5	7.6	7.8	8.1	8.0	8.2	8.5	8.7	8.5	8.7	9.0	9.3	9.0	9.2	9.5	9.8	9.5	9.7	10.0	10.4
	Hi PR	149	161	170	177	167	180	190	198	190	205	216	226	217	233	246	257	244	263	277	289	270	290	306	319	
		Lo PR	66	71	77	82	70	75	81	87	73	78	85	90	77	81	89	95	80	85	93	99	83	88	96	103
	750	MBh	23.6	24.1	25.8	27.6	23.1	23.6	25.2	26.9	22.5	23.0	24.6	26.3	22.0	22.5	24.0	25.7	20.9	21.3	22.8	24.4	19.3	19.8	21.1	22.6
			S/T	0.91	0.85	0.69	0.52	0.94	0.88	0.72	0.54	0.96	0.90	0.73	0.55	0.99	0.93	0.76	0.57	1.00	0.97	0.79	0.59	1.00	0.97	0.79
		kW	1.68	1.72	1.77	1.82	1.81	1.85	1.90	1.96	1.92	1.96	2.02	2.09	2.02	2.06	2.12	2.19	2.10	2.14	2.21	2.28	2.17	2.22	2.29	2.36
			Amps	6.9	7.1	7.3	7.5	7.4	7.6	7.8	8.0	8.0	8.1	8.4	8.7	8.5	8.6	8.9	9.2	8.9	9.1	9.4	9.7	9.4	9.6	9.9
Hi PR		148	159	168	175	166	178	188	196	189	203	214	223	215	231	244	254	242	260	275	286	267	287	303	316	
		Lo PR	66	70	76	81	69	74	81	86	72	77	84	89	76	81	88	94	79	84	92	98	82	87	95	102
650		MBh	21.8	22.3	23.8	25.5	21.3	21.8	23.3	24.9	20.8	21.3	22.7	24.3	20.3	20.7	22.2	23.7	19.3	19.7	21.0	22.5	17.9	18.2	19.5	20.8
			S/T	0.87	0.82	0.67	0.50	0.90	0.85	0.69	0.52	0.93	0.87	0.71	0.53	0.96	0.90	0.73	0.55	0.99	0.93	0.76	0.57	1.00	0.94	0.76
		kW	2.7	2.6	2.2	1.8	2.7	2.6	2.3	1.8	2.7	2.6	2.3	1.8	2.7	2.6	2.3	1.8	2.7	2.6	2.3	1.8	2.5	2.4	2.1	1.7
			Amps	1.64	1.68	1.73	1.78	1.77	1.80	1.86	1.92	1.87	1.91	1.97	2.03	1.97	2.01	2.07	2.14	2.05	2.09	2.16	2.23	2.12	2.16	2.23
	Hi PR	143	154	163	170	161	173	183	191	183	197	208	217	208	224	237	247	234	252	266	278	259	279	294	307	
		Lo PR	64	68	74	79	67	72	78	83	70	74	81	87	73	78	85	91	77	82	89	95	80	85	93	99

85	MBh	24.8	25.2	26.4	28.2	24.2	24.7	25.8	27.6	23.6	24.1	25.2	26.9	23.0	23.5	24.6	26.2	21.9	22.3	23.4	24.9	20.3	20.7	21.6	23.1	
		S/T	1.00	0.96	0.87	0.70	1.00	1.00	0.90	0.73	1.00	1.00	0.92	0.75	1.00	1.00	0.95	0.77	1.00	1.00	0.99	0.80	1.00	1.00	0.99	0.81
	kW	1.71	1.74	1.80	1.85	1.84	1.87	1.93	1.99	1.95	1.99	2.05	2.12	2.05	2.09	2.16	2.23	2.13	2.18	2.25	2.32	2.20	2.25	2.33	2.40	
		Amps	7.0	7.2	7.4	7.6	7.5	7.7	7.9	8.2	8.1	8.3	8.5	8.8	8.6	8.8	9.0	9.4	9.1	9.3	9.6	9.9	9.6	9.8	10.1	10.5
	Hi PR	151	162	171	179	169	182	192	200	192	207	219	228	219	236	249	260	246	265	280	292	272	293	309	323	
		Lo PR	67	71	78	83	71	75	82	88	74	78	85	91	77	82	90	96	81	86	94	100	84	89	97	104
	750	MBh	24.0	24.5	25.7	27.4	23.5	23.9	25.1	26.8	22.9	23.4	24.5	26.1	22.4	22.8	23.9	25.5	21.2	21.7	22.7	24.2	19.7	20.1	21.0	22.4
			S/T	0.95	0.92	0.83	0.67	0.98	0.95	0.86	0.69	1.00	0.97	0.88	0.71	1.00	1.00	0.91	0.74	1.00	1.00	0.94	0.76	1.00	1.00	0.95
		kW	2.8	2.8	2.6	2.3	2.8	2.8	2.6	2.3	2.8	2.8	2.6	2.3	2.7	2.8	2.7	2.3	2.6	2.7	2.6	2.3	2.4	2.5	2.4	2.1
			Amps	1.70	1.73	1.78	1.84	1.82	1.86	1.92	1.98	1.93	1.97	2.04	2.10	2.03	2.07	2.14	2.21	2.11	2.16	2.23	2.30	2.19	2.23	2.31
Hi PR		149	161	170	177	167	180	190	198	190	205	216	226	217	233	246	257	244	263	277	289	270	290	306	319	
		Lo PR	66	71	77	82	70	75	81	87	73	78	85	90	77	81	89	95	80	85	93	99	83	88	96	103
650		MBh	22.2	22.6	23.7	25.3	21.7	22.1	23.1	24.7	21.2	21.6	22.6	24.1	20.6	21.0	22.0	23.5	19.6	20.0	20.9	22.3	18.2	18.5	19.4	20.7
			S/T	0.92	0.88	0.80	0.65	0.95	0.92	0.83	0.67	0.97	0.94	0.85	0.69	1.00	0.97	0.87	0.71	1.00	1.00	0.91	0.74	1.00	1.00	0.91
		kW	2.9	2.8	2.7	2.3	2.9	2.9	2.7	2.3	2.9	2.9	2.7	2.3	2.9	2.9	2.7	2.4	2.8	2.8	2.7	2.3	2.6	2.6	2.5	2.2
			Amps	1.66	1.69	1.74	1.80	1.78	1.82	1.87	1.93	1.89	1.93	1.99	2.05	1.98	2.02	2.09	2.16	2.06	2.11	2.18	2.25	2.13	2.18	2.25
	Hi PR	145	156	164	172	162	175	185	192	185	199	210	219	210	226	239	249	237	255	269	280	261	281	297	310	
		Lo PR	64	68	75	80	68	72	79	84	71	75	82	87	74	79	86	92	78	83	90	96	80	86	93	100

Shaded area reflects ARI conditions  
 High and low pressures are measured at the liquid and suction service valves.  
 IDB: Entering Indoor Dry Bulb Temperature  
 kW = Total system power  
 Amps = outdoor unit amps (comp. +fan)

EXPANDED COOLING DATA — GPG1330\*\*\*1A

IDB	Airflow	Outdoor Ambient Temperature																							
		65°F				75°F				85°F				95°F				105°F				115°F			
		59	63	67	71	59	63	67	71	59	63	67	71	59	63	67	71	59	63	67	71	59	63	67	71
1100	MBh	28.0	29.0	31.8	-	27.4	28.4	31.1	-	26.7	27.7	30.3	-	26.0	27.0	29.6	-	24.7	25.7	28.1	-	22.9	23.8	26.0	-
	S/T	0.78	0.65	0.45	-	0.81	0.68	0.47	-	0.83	0.69	0.48	-	0.86	0.71	0.50	-	0.89	0.74	0.51	-	0.90	0.75	0.52	-
	ΔT	18	16	12	-	18	16	12	-	19	16	12	-	19	16	12	-	18	16	12	-	17	15	11	-
	kW	2.04	2.08	2.14	-	2.18	2.23	2.29	-	2.31	2.35	2.42	-	2.42	2.47	2.54	-	2.51	2.56	2.64	-	2.59	2.64	2.73	-
	Amps	9.1	9.2	9.5	-	9.6	9.8	10.0	-	10.2	10.4	10.7	-	10.8	11.0	11.3	-	11.3	11.6	11.9	-	11.9	12.1	12.4	-
	Hi PR	143	154	163	-	161	173	183	-	183	197	208	-	208	224	237	-	234	252	266	-	259	279	294	-
	Lo PR	67	71	78	-	71	75	82	-	74	78	85	-	77	82	90	-	81	86	94	-	84	89	97	-
	MBh	27.6	28.6	31.3	-	26.9	27.9	30.6	-	26.3	27.3	29.9	-	25.7	26.6	29.1	-	24.4	25.3	27.7	-	22.6	23.4	25.6	-
	S/T	0.75	0.62	0.43	-	0.77	0.65	0.45	-	0.79	0.66	0.46	-	0.82	0.68	0.47	-	0.85	0.71	0.49	-	0.86	0.72	0.50	-
	ΔT	19	16	12	-	19	17	13	-	19	17	13	-	19	17	13	-	19	17	13	-	18	15	12	-
70	kW	2.03	2.07	2.13	-	2.17	2.21	2.28	-	2.30	2.34	2.41	-	2.40	2.45	2.53	-	2.50	2.55	2.63	-	2.58	2.63	2.71	-
	Amps	9.0	9.2	9.4	-	9.6	9.7	10.0	-	10.2	10.4	10.7	-	10.7	10.9	11.2	-	11.3	11.5	11.8	-	11.8	12.0	12.4	-
	Hi PR	142	153	162	-	160	172	182	-	182	196	207	-	207	223	235	-	233	251	265	-	257	277	292	-
	Lo PR	67	71	77	-	70	75	82	-	73	78	85	-	77	82	89	-	80	86	93	-	83	89	97	-
	MBh	27.2	28.2	30.9	-	26.5	27.5	30.1	-	25.9	26.9	29.4	-	25.3	26.2	28.7	-	24.0	24.9	27.3	-	22.2	23.1	25.3	-
	S/T	0.72	0.60	0.42	-	0.75	0.62	0.43	-	0.77	0.64	0.44	-	0.79	0.66	0.46	-	0.82	0.69	0.47	-	0.83	0.69	0.48	-
	ΔT	20	17	13	-	20	18	13	-	20	18	13	-	20	18	13	-	20	17	13	-	19	16	12	-
	kW	2.01	2.05	2.10	-	2.15	2.19	2.25	-	2.27	2.31	2.38	-	2.37	2.42	2.49	-	2.46	2.51	2.59	-	2.54	2.60	2.67	-
	Amps	8.9	9.1	9.3	-	9.5	9.6	9.9	-	10.1	10.3	10.5	-	10.6	10.8	11.1	-	11.1	11.4	11.7	-	11.7	11.9	12.2	-
	Hi PR	140	151	159	-	157	169	178	-	179	192	203	-	203	219	231	-	229	246	260	-	253	272	287	-
Lo PR	65	70	76	-	69	74	80	-	72	76	83	-	75	80	88	-	79	84	92	-	82	87	95	-	

1100	MBh	28.5	29.3	31.7	34.1	27.8	28.6	31.0	33.3	27.2	28.0	30.3	32.5	26.5	27.3	29.5	31.7	25.2	25.9	28.0	30.1	23.3	24.0	26.0	27.9
	S/T	0.89	0.79	0.60	0.39	0.92	0.82	0.62	0.40	0.94	0.84	0.64	0.41	0.97	0.87	0.66	0.42	1.00	0.90	0.68	0.44	1.00	0.91	0.69	0.44
	ΔT	21	19	16	11	21	20	16	11	21	20	16	11	22	20	16	11	21	20	16	11	19	18	15	10
	kW	2.06	2.10	2.16	2.22	2.20	2.24	2.31	2.38	2.32	2.37	2.44	2.52	2.44	2.49	2.56	2.64	2.53	2.58	2.66	2.74	2.61	2.67	2.75	2.83
	Amps	9.1	9.3	9.5	9.8	9.7	9.9	10.1	10.4	10.3	10.5	10.8	11.1	10.9	11.1	11.4	11.7	11.4	11.6	12.0	12.3	12.0	12.2	12.5	12.9
	Hi PR	145	156	165	172	163	175	185	193	185	199	210	219	211	227	239	250	237	255	269	281	262	282	297	310
	Lo PR	68	72	79	84	72	76	83	89	74	79	86	92	78	83	91	97	82	87	95	101	85	90	98	105
	MBh	28.1	28.9	31.3	33.6	27.4	28.2	30.5	32.8	26.8	27.5	29.8	32.0	26.1	26.9	29.1	31.2	24.8	25.5	27.6	29.7	23.0	23.6	25.6	27.5
	S/T	0.85	0.76	0.57	0.37	0.88	0.79	0.60	0.38	0.90	0.81	0.61	0.39	0.93	0.83	0.63	0.41	0.97	0.86	0.65	0.42	0.98	0.87	0.66	0.42
	ΔT	22	20	17	11	22	20	17	12	22	20	17	12	22	21	17	12	22	20	17	11	21	19	16	11
75	kW	2.05	2.09	2.14	2.21	2.19	2.23	2.30	2.36	2.31	2.36	2.43	2.50	2.42	2.47	2.55	2.62	2.52	2.57	2.65	2.73	2.60	2.65	2.73	2.82
	Amps	9.1	9.3	9.5	9.7	9.6	9.8	10.1	10.3	10.3	10.5	10.7	11.1	10.8	11.0	11.3	11.7	11.4	11.6	11.9	12.3	11.9	12.1	12.5	12.9
	Hi PR	144	155	163	170	161	174	183	191	184	198	209	218	209	225	238	248	235	253	267	279	260	280	295	308
	Lo PR	67	72	78	83	71	76	83	88	74	79	86	91	78	83	90	96	81	86	94	101	84	89	98	104
	MBh	27.6	28.5	30.8	33.1	27.0	27.8	30.1	32.3	26.4	27.1	29.4	31.5	25.7	26.5	28.7	30.7	24.4	25.1	27.2	29.2	22.6	23.3	25.2	27.1
	S/T	0.82	0.73	0.55	0.36	0.85	0.76	0.57	0.37	0.87	0.78	0.59	0.38	0.90	0.80	0.61	0.39	0.93	0.83	0.63	0.41	0.94	0.84	0.64	0.41
	ΔT	23	21	17	12	23	22	18	12	23	22	18	12	24	22	18	12	23	21	18	12	22	20	16	11
	kW	2.02	2.06	2.12	2.18	2.16	2.20	2.27	2.33	2.28	2.33	2.40	2.47	2.39	2.44	2.51	2.59	2.48	2.53	2.61	2.69	2.56	2.62	2.70	2.78
	Amps	9.0	9.1	9.4	9.6	9.5	9.7	9.9	10.2	10.1	10.3	10.6	10.9	10.7	10.9	11.2	11.5	11.2	11.4	11.7	12.1	11.8	12.0	12.3	12.7
	Hi PR	141	152	161	168	159	171	180	188	180	194	205	214	206	221	234	244	231	249	263	274	255	275	290	303
Lo PR	66	70	77	82	70	74	81	86	73	77	84	90	76	81	89	94	80	85	93	99	83	88	96	102	

Shaded area reflects ACCA (TVA) conditions IDB: Entering Indoor Dry Bulb Temperature kW = Total system power Amps = outdoor unit amps (comp.+fan)  
 High and low pressures are measured at the liquid and suction service valves.

EXPANDED COOLING DATA — GPG1330\*\*\*1A (CONT.)

IDB	Airflow	Outdoor Ambient Temperature																							
		65°F				75°F				85°F				95°F				105°F				115°F			
		59	63	67	71	59	63	67	71	59	63	67	71	59	63	67	71	59	63	67	71	59	63	67	71
1100	MBh	29.0	29.6	31.6	33.8	28.3	28.9	30.9	33.0	27.6	28.2	30.2	32.3	27.0	27.6	29.4	31.5	25.6	26.2	28.0	29.9	23.7	24.2	25.9	27.7
	S/T	0.97	0.91	0.74	0.56	1.00	0.95	0.77	0.58	1.00	0.97	0.79	0.59	1.00	1.00	0.81	0.61	1.00	1.00	0.85	0.63	1.00	1.00	0.85	0.64
	ΔT	24	23	20	16	24	23	20	16	23	23	20	16	23	23	20	16	21	22	20	16	20	20	18	15
	kW	2.07	2.11	2.17	2.24	2.22	2.26	2.33	2.39	2.34	2.39	2.46	2.54	2.45	2.50	2.58	2.66	2.55	2.60	2.68	2.77	2.63	2.69	2.77	2.86
	Amps	9.2	9.4	9.6	9.9	9.8	9.9	10.2	10.5	10.4	10.6	10.9	11.2	11.0	11.2	11.5	11.8	11.5	11.7	12.1	12.4	12.1	12.3	12.6	13.0
	Hi PR	146	157	166	173	164	177	187	195	187	201	212	221	213	229	242	252	239	257	272	284	264	284	300	313
	Lo PR	68	73	79	85	72	77	84	89	75	80	87	93	79	84	92	98	83	88	96	102	86	91	99	106
80	MBh	28.6	29.2	31.2	33.3	27.9	28.5	30.5	32.6	27.2	27.8	29.7	31.8	26.6	27.1	<b>29.0</b>	31.0	25.2	25.8	27.6	29.5	23.4	23.9	25.5	27.3
	S/T	0.93	0.87	0.71	0.53	0.97	0.91	0.74	0.55	0.99	0.93	0.76	0.56	1.00	0.96	<b>0.78</b>	0.58	1.00	0.99	0.81	0.61	1.00	1.00	0.82	0.61
	ΔT	24	23	20	16	25	24	21	16	25	24	21	16	24	24	<b>21</b>	17	23	24	21	16	21	21	19	15
	kW	2.06	2.10	2.16	2.22	2.20	2.25	2.31	2.38	2.33	2.38	2.45	2.52	2.44	2.49	<b>2.57</b>	2.65	2.54	2.59	2.67	2.75	2.62	2.67	2.75	2.84
	Amps	9.2	9.3	9.5	9.8	9.7	9.9	10.1	10.4	10.3	10.5	10.8	11.1	10.9	11.1	<b>11.4</b>	11.7	11.4	11.7	12.0	12.4	12.0	12.2	12.6	13.0
	Hi PR	145	156	165	172	163	175	185	193	185	200	211	220	211	227	<b>240</b>	250	238	256	270	282	263	283	298	311
	Lo PR	68	72	79	84	72	76	83	89	75	79	87	92	78	83	<b>91</b>	97	82	87	95	102	85	90	99	105
900	MBh	28.1	28.7	30.7	32.8	27.5	28.1	30.0	32.1	26.8	27.4	29.3	31.3	26.2	26.7	28.6	30.5	24.9	25.4	27.1	29.0	23.0	23.5	25.1	26.9
	S/T	0.90	0.84	0.69	0.51	0.93	0.87	0.71	0.53	0.95	0.90	0.73	0.54	0.99	0.92	0.75	0.56	1.00	0.96	0.78	0.58	1.00	0.97	0.79	0.59
	ΔT	26	25	22	17	26	25	22	17	26	25	22	17	26	25	22	18	25	25	22	17	24	23	20	16
	kW	2.04	2.08	2.13	2.20	2.18	2.22	2.28	2.35	2.30	2.35	2.42	2.49	2.41	2.46	2.53	2.61	2.50	2.55	2.63	2.71	2.58	2.64	2.72	2.80
	Amps	9.0	9.2	9.4	9.7	9.6	9.8	10.0	10.3	10.2	10.4	10.7	11.0	10.8	11.0	11.3	11.6	11.3	11.5	11.8	12.2	11.8	12.1	12.4	12.8
	Hi PR	143	154	162	169	160	172	182	190	182	196	207	216	208	223	236	246	234	251	265	277	258	278	293	306
	Lo PR	67	71	78	83	71	75	82	87	73	78	85	91	77	82	89	95	81	86	94	100	83	89	97	103

1100	MBh	29.5	30.1	31.5	33.6	28.8	29.4	30.8	32.8	28.1	28.7	30.0	32.0	27.4	28.0	29.3	31.2	26.1	26.6	27.8	29.7	24.1	24.6	25.8	27.5
	S/T	1.00	0.98	0.89	0.72	1.00	1.00	0.92	0.75	1.00	1.00	0.94	0.77	1.00	1.00	0.97	0.79	1.00	1.00	0.85	0.68	1.00	1.00	0.85	0.68
	ΔT	25	25	23	20	24	25	24	20	24	24	24	20	23	23	24	21	22	22	23	20	20	21	22	19
	kW	2.09	2.13	2.19	2.25	2.23	2.28	2.34	2.41	2.36	2.41	2.48	2.55	2.47	2.52	2.60	2.68	2.57	2.62	2.70	2.79	2.65	2.71	2.79	2.88
	Amps	9.3	9.4	9.7	9.9	9.8	10.0	10.3	10.6	10.5	10.7	10.9	11.3	11.0	11.2	11.5	11.9	11.6	11.8	12.1	12.5	12.1	12.4	12.7	13.1
	Hi PR	148	159	168	175	166	178	188	197	189	203	214	224	215	231	244	255	242	260	275	286	267	287	303	316
	Lo PR	69	74	80	85	73	78	85	90	76	81	88	94	80	85	93	99	84	89	97	103	86	92	100	107
85	MBh	29.1	29.6	31.0	33.1	28.4	28.9	30.3	32.3	27.7	28.2	29.6	31.6	27.0	27.6	28.9	30.8	25.7	26.2	27.4	29.2	23.8	24.2	25.4	27.1
	S/T	0.98	0.94	0.85	0.69	1.00	0.98	0.88	0.72	1.00	1.00	0.90	0.73	1.00	1.00	0.93	0.76	1.00	1.00	0.97	0.79	1.00	1.00	0.98	0.79
	ΔT	26	26	24	21	26	26	25	21	25	26	25	21	25	25	25	21	24	24	24	21	22	22	23	20
	kW	2.08	2.12	2.18	2.24	2.22	2.26	2.33	2.40	2.35	2.39	2.47	2.54	2.46	2.51	2.59	2.67	2.56	2.61	2.69	2.77	2.64	2.69	2.78	2.86
	Amps	9.2	9.4	9.6	9.9	9.8	10.0	10.2	10.5	10.4	10.6	10.9	11.2	11.0	11.2	11.5	11.8	11.5	11.8	12.1	12.5	12.1	12.3	12.7	13.1
	Hi PR	147	158	167	174	165	177	187	195	187	202	213	222	213	230	242	253	240	258	273	284	265	285	301	314
	Lo PR	69	73	80	85	72	77	84	90	75	80	87	93	79	84	92	98	83	88	96	103	86	91	100	106
900	MBh	28.6	29.2	30.6	32.6	28.0	28.5	29.8	31.8	27.3	27.8	29.1	31.1	26.6	27.1	28.4	30.3	25.3	25.8	27.0	28.8	23.4	23.9	25.0	26.7
	S/T	0.94	0.91	0.82	0.67	0.98	0.94	0.85	0.69	1.00	0.97	0.87	0.71	1.00	1.00	0.90	0.73	1.00	1.00	0.93	0.76	1.00	1.00	0.94	0.76
	ΔT	28	27	26	22	28	27	26	22	28	27	26	22	27	28	26	23	26	26	26	22	24	24	24	21
	kW	2.05	2.09	2.15	2.21	2.19	2.24	2.30	2.37	2.32	2.36	2.43	2.51	2.43	2.48	2.55	2.63	2.52	2.57	2.65	2.73	2.60	2.66	2.74	2.82
	Amps	9.1	9.3	9.5	9.8	9.7	9.8	10.1	10.4	10.3	10.5	10.8	11.1	10.8	11.0	11.3	11.7	11.4	11.6	11.9	12.3	11.9	12.2	12.5	12.9
	Hi PR	144	155	164	171	162	174	184	192	184	198	209	218	210	226	238	249	236	254	268	280	261	280	296	309
	Lo PR	67	72	78	83	71	76	83	88	74	79	86	92	78	83	90	96	82	87	95	101	84	90	98	104

Shaded area reflects ARI conditions IDB: Entering Indoor Dry Bulb Temperature kW = Total system power Amps = outdoor unit amps (comp.+fan)  
 High and low pressures are measured at the liquid and suction service valves.

EXPANDED COOLING DATA — GPG1336\*\*\*1A

IDB		Outdoor Ambient Temperature												Entering Indoor Wet Bulb Temperature												
		65°F				75°F				85°F				95°F				105°F				115°F				
		59	63	67	71	59	63	67	71	59	63	67	71	59	63	67	71	59	63	67	71	59	63	67	71	
1300	MBh	34.0	35.3	38.6	-	33.2	34.4	37.7	-	32.4	33.6	36.8	-	31.6	32.8	35.9	-	30.1	31.2	34.1	-	27.8	28.9	31.6	-	
	S/T	0.75	0.63	0.44	-	0.78	0.65	0.45	-	0.80	0.67	0.46	-	0.83	0.69	0.48	-	0.86	0.72	0.50	-	0.86	0.72	0.50	-	
	ΔT	18	16	12	-	18	16	12	-	18	16	12	-	18	16	12	-	18	16	12	-	17	15	11	-	
	kW	2.50	2.55	2.62	-	2.67	2.72	2.80	-	2.82	2.87	2.95	-	2.95	3.00	3.09	-	3.06	3.12	3.21	-	3.15	3.22	3.31	-	
	Amps	10.2	10.4	10.7	-	10.8	11.1	11.3	-	11.6	11.8	12.1	-	12.2	12.5	12.8	-	12.9	13.1	13.5	-	13.5	13.8	14.2	-	
	Hi PR	142	152	161	-	159	171	181	-	181	195	205	-	206	222	234	-	232	249	263	-	256	275	291	-	
	Lo PR	65	69	75	-	68	73	79	-	71	75	82	-	74	79	86	-	78	83	91	-	81	86	94	-	
	70	MBh	33.7	34.9	38.2	-	32.9	34.1	37.4	-	32.1	33.3	36.5	-	31.3	32.5	35.6	-	29.8	30.8	33.8	-	27.6	28.6	31.3	-
		S/T	0.74	0.62	0.43	-	0.76	0.64	0.44	-	0.78	0.65	0.45	-	0.81	0.68	0.47	-	0.84	0.70	0.49	-	0.85	0.71	0.49	-
		ΔT	19	16	13	-	19	17	13	-	19	17	13	-	19	17	13	-	19	17	13	-	18	15	12	-
		kW	2.50	2.54	2.61	-	2.66	2.71	2.79	-	2.81	2.86	2.95	-	2.94	3.00	3.09	-	3.05	3.11	3.20	-	3.15	3.21	3.31	-
		Amps	10.2	10.4	10.6	-	10.8	11.0	11.3	-	11.6	11.8	12.1	-	12.2	12.5	12.8	-	12.9	13.1	13.5	-	13.5	13.8	14.2	-
Hi PR		141	152	160	-	158	171	180	-	180	194	205	-	205	221	233	-	231	248	262	-	255	275	290	-	
Lo PR		64	68	75	-	68	72	79	-	71	75	82	-	74	79	86	-	78	83	90	-	80	86	93	-	
1100		MBh	33.2	34.4	37.7	-	32.4	33.6	36.8	-	31.6	32.8	35.9	-	30.9	32.0	35.0	-	29.3	30.4	33.3	-	27.2	28.1	30.8	-
		S/T	0.71	0.59	0.41	-	0.74	0.62	0.43	-	0.76	0.63	0.44	-	0.78	0.65	0.45	-	0.81	0.68	0.47	-	0.82	0.68	0.47	-
		ΔT	20	17	13	-	20	17	13	-	20	17	13	-	20	17	13	-	20	17	13	-	19	16	12	-
		kW	2.47	2.51	2.58	-	2.63	2.68	2.76	-	2.78	2.83	2.91	-	2.90	2.96	3.05	-	3.01	3.07	3.16	-	3.11	3.17	3.26	-
		Amps	10.1	10.2	10.5	-	10.7	10.9	11.2	-	11.4	11.6	12.0	-	12.1	12.3	12.6	-	12.7	12.9	13.3	-	13.3	13.6	14.0	-
	Hi PR	139	149	158	-	156	168	177	-	177	191	201	-	202	217	229	-	227	244	258	-	251	270	285	-	
	Lo PR	63	67	73	-	67	71	78	-	69	74	81	-	73	78	85	-	76	81	89	-	79	84	92	-	
	1300	MBh	34.6	35.6	38.6	41.4	33.8	34.8	37.7	40.4	33.0	34.0	36.8	39.5	32.2	33.1	35.9	38.5	30.6	31.5	34.1	36.6	28.3	29.2	31.6	33.9
		S/T	0.86	0.76	0.58	0.37	0.89	0.79	0.60	0.39	0.91	0.81	0.62	0.40	0.94	0.84	0.63	0.41	0.97	0.87	0.66	0.42	0.98	0.88	0.66	0.43
		ΔT	21	19	16	11	21	19	16	11	21	20	16	11	21	20	16	11	21	19	16	11	20	18	15	10
		kW	2.52	2.56	2.64	2.71	2.69	2.74	2.82	2.90	2.84	2.89	2.98	3.06	2.97	3.03	3.12	3.21	3.08	3.14	3.24	3.33	3.18	3.24	3.34	3.44
		Amps	10.3	10.5	10.7	11.1	10.9	11.1	11.4	11.8	11.7	11.9	12.2	12.6	12.3	12.6	12.9	13.3	13.0	13.3	13.6	14.1	13.6	13.9	14.3	14.8
Hi PR		143	154	163	170	161	173	182	190	183	196	207	216	208	224	236	246	234	252	266	277	259	278	294	306	
Lo PR		65	69	76	81	69	73	80	85	72	76	83	89	75	80	87	93	79	84	92	98	82	87	95	101	
75		MBh	34.2	35.3	38.2	41.0	33.5	34.4	37.3	40.0	32.7	33.6	36.4	39.1	31.9	32.8	35.5	38.1	30.3	31.2	33.7	36.2	28.0	28.9	31.2	33.5
		S/T	0.84	0.75	0.57	0.37	0.87	0.78	0.59	0.38	0.89	0.80	0.60	0.39	0.92	0.82	0.62	0.40	0.95	0.85	0.65	0.42	0.96	0.86	0.65	0.42
		ΔT	22	20	17	11	22	21	17	12	22	21	17	12	22	21	17	12	22	20	17	12	21	19	16	11
		kW	2.51	2.56	2.63	2.70	2.68	2.73	2.81	2.89	2.83	2.89	2.97	3.06	2.96	3.02	3.11	3.20	3.07	3.14	3.23	3.33	3.17	3.23	3.33	3.43
		Amps	10.2	10.4	10.7	11.0	10.9	11.1	11.4	11.7	11.7	11.9	12.2	12.6	12.3	12.6	12.9	13.3	13.0	13.2	13.6	14.0	13.6	13.9	14.3	14.7
	Hi PR	143	154	162	169	160	172	182	190	182	196	207	216	207	223	236	246	233	251	265	276	258	277	293	305	
	Lo PR	65	69	76	80	69	73	80	85	71	76	83	88	75	80	87	93	79	84	91	97	81	87	94	101	
	1100	MBh	33.7	34.7	37.6	40.4	33.0	33.9	36.7	39.4	32.2	33.1	35.8	38.5	31.4	32.3	35.0	37.5	29.8	30.7	33.2	35.7	27.6	28.4	30.8	33.0
		S/T	0.81	0.72	0.55	0.35	0.84	0.75	0.57	0.36	0.86	0.77	0.58	0.37	0.89	0.79	0.60	0.39	0.92	0.82	0.62	0.40	0.93	0.83	0.63	0.40
		ΔT	23	21	17	12	23	21	17	12	23	21	17	12	23	21	18	12	23	21	17	12	21	20	16	11
		kW	2.48	2.53	2.60	2.67	2.65	2.70	2.78	2.86	2.80	2.85	2.93	3.02	2.92	2.98	3.07	3.16	3.03	3.10	3.19	3.28	3.13	3.19	3.29	3.39
		Amps	10.1	10.3	10.6	10.9	10.8	11.0	11.3	11.6	11.5	11.7	12.1	12.4	12.1	12.4	12.7	13.1	12.8	13.0	13.4	13.8	13.4	13.7	14.1	14.5
Hi PR		140	151	159	166	157	169	179	186	179	193	203	212	204	219	232	242	229	247	261	272	253	273	288	300	
Lo PR		64	68	74	79	68	72	78	84	70	75	82	87	74	78	86	91	77	82	90	96	80	85	93	99	

Shaded area reflects ACCA (TVA) conditions IDB: Entering Indoor Dry Bulb Temperature kW = Total system power Amps = outdoor unit amps (comp.+fan)  
 High and low pressures are measured at the liquid and suction service valves.



EXPANDED COOLING DATA — GPG1336\*\*\*1A (CONT.)

IDB	Airflow	Outdoor Ambient Temperature																									
		65°F				75°F				85°F				95°F				105°F				115°F					
		59	63	67	71	59	63	67	71	59	63	67	71	59	63	67	71	59	63	67	71	59	63	67	71		
80	1300	MBh	35.2	36.0	38.4	41.1	34.4	35.1	37.5	40.1	33.6	34.3	36.6	39.2	32.8	33.5	35.8	38.2	31.1	31.8	34.0	36.3	28.8	29.4	31.5	33.6	
		S/T	0.94	0.88	0.72	0.54	0.97	0.91	0.74	0.55	1.00	0.93	0.76	0.57	1.00	0.96	0.79	0.59	1.00	1.00	0.82	0.61	1.00	1.00	0.82	0.61	
	ΔT	23	22	19	16	24	23	20	16	24	23	20	16	23	23	20	16	22	22	20	16	20	21	18	15		
	kW	2.54	2.58	2.65	2.73	2.71	2.76	2.84	2.92	2.86	2.91	3.00	3.09	2.99	3.05	3.14	3.23	3.10	3.17	3.26	3.36	3.20	3.27	3.37	3.47		
	Amps	10.3	10.5	10.8	11.1	11.0	11.2	11.5	11.9	11.8	12.0	12.3	12.7	12.4	12.7	13.0	13.4	13.1	13.4	13.7	14.2	13.7	14.0	14.4	14.9		
	Hi PR	145	156	164	171	162	175	184	192	184	198	210	219	210	226	239	249	236	254	269	280	261	281	297	309		
	Lo PR	66	70	77	81	70	74	81	86	72	77	84	89	76	81	88	94	80	85	93	99	82	88	96	102		
	1200	MBh	34.9	35.6	38.1	40.7	34.0	34.8	37.2	39.7	33.2	34.0	36.3	38.8	32.4	33.1	35.4	37.8	30.8	31.5	33.6	36.0	28.5	29.2	31.2	33.3	
		S/T	0.92	0.86	0.70	0.52	0.95	0.89	0.73	0.54	0.98	0.92	0.75	0.56	1.00	0.95	0.77	0.58	1.00	0.98	0.80	0.60	1.00	0.99	0.81	0.60	
	1100	MBh	25.3	2.58	2.65	2.72	2.70	2.75	2.83	2.91	2.85	2.91	2.99	3.08	2.98	3.04	3.13	3.23	3.10	3.16	3.25	3.35	3.19	3.26	3.36	3.46	
Amps		10.3	10.5	10.8	11.1	11.0	11.2	11.5	11.8	11.7	12.0	12.3	12.7	12.4	12.7	13.0	13.4	13.1	13.3	13.7	14.1	13.7	14.0	14.4	14.9		
85	1300	Hi PR	144	155	164	171	162	174	184	192	184	198	209	218	209	225	238	248	236	254	268	279	260	280	296	309	
		Lo PR	66	70	76	81	69	74	81	86	72	77	84	89	76	81	88	94	79	84	92	98	82	87	95	102	
	1200	MBh	34.3	35.1	37.5	40.1	33.5	34.3	36.6	39.1	32.7	33.5	35.7	38.2	31.9	32.6	34.9	37.3	30.3	31.0	33.1	35.4	28.1	28.7	30.7	32.8	
		S/T	0.89	0.83	0.68	0.51	0.92	0.86	0.70	0.52	0.94	0.88	0.72	0.54	0.97	0.91	0.74	0.56	1.01	0.95	0.77	0.58	1.00	0.95	0.78	0.58	
	1100	MBh	25	24	21	17	26	25	21	17	26	25	21	17	26	25	22	17	26	25	21	17	23	23	20	16	
		Amps	10.2	10.4	10.7	11.0	10.8	11.1	11.3	11.7	11.6	11.8	12.1	12.5	12.2	12.5	12.8	13.2	12.9	13.1	13.5	13.9	13.5	13.8	14.2	14.7	
	1000	Hi PR	142	152	161	168	159	171	181	188	181	195	205	214	206	222	234	244	232	249	263	275	256	275	291	303	
		Lo PR	65	69	75	80	68	73	79	84	71	75	82	88	74	79	87	92	78	83	91	97	81	86	94	100	
	85	1300	MBh	35.8	36.5	38.2	40.8	35.0	35.7	37.4	39.9	34.2	34.8	36.5	38.9	33.3	34.0	35.6	38.0	31.7	32.3	33.8	36.1	29.3	29.9	31.3	33.4
			S/T	0.98	0.95	0.86	0.69	1.00	0.98	0.89	0.72	1.00	1.00	0.91	0.74	1.00	1.00	0.94	0.76	1.00	1.00	0.97	0.79	1.00	1.00	0.98	0.80
ΔT		25	24	23	20	25	25	23	20	24	25	23	20	24	24	24	20	22	23	23	20	21	21	22	19		
kW		2.55	2.60	2.67	2.75	2.73	2.78	2.86	2.94	2.88	2.93	3.02	3.11	3.01	3.07	3.16	3.26	3.13	3.19	3.29	3.39	3.23	3.29	3.39	3.50		
Amps		10.4	10.6	10.9	11.2	11.1	11.3	11.6	12.0	11.9	12.1	12.4	12.8	12.5	12.8	13.1	13.5	13.2	13.5	13.8	14.3	13.8	14.1	14.5	15.0		
Hi PR		146	157	166	173	164	176	186	194	186	200	212	221	212	228	241	251	239	257	271	283	264	284	300	313		
Lo PR		67	71	77	82	70	75	82	87	73	78	85	90	77	82	89	95	80	86	93	99	83	89	97	103		
1200		MBh	35.5	36.2	37.9	40.4	34.6	35.3	37.0	39.5	33.8	34.5	36.1	38.5	33.0	33.6	35.2	37.6	31.3	31.9	33.5	35.7	29.0	29.6	31.0	33.1	
		S/T	0.96	0.93	0.84	0.68	1.00	0.96	0.87	0.71	1.00	0.99	0.89	0.72	1.00	1.00	0.92	0.75	1.00	1.00	0.96	0.78	1.00	1.00	0.96	0.78	
1100		MBh	26	26	24	21	27	26	25	21	26	26	25	21	25	26	25	22	24	24	25	21	22	23	23	20	
	Amps	10.4	10.6	10.9	11.2	11.1	11.3	11.6	11.9	11.8	12.1	12.4	12.8	12.5	12.7	13.1	13.5	13.2	13.4	13.8	14.3	13.8	14.1	14.5	15.0		
85	1300	Hi PR	146	157	165	172	163	176	186	194	186	200	211	220	212	228	240	251	238	256	270	282	263	283	299	312	
		Lo PR	66	71	77	82	70	75	81	87	73	78	85	90	77	81	89	95	80	85	93	99	83	88	96	103	
	1200	MBh	34.9	35.6	37.3	39.8	34.1	34.8	36.4	38.9	33.3	34.0	35.6	37.9	32.5	33.1	34.7	37.0	30.9	31.5	33.0	35.2	28.6	29.2	30.5	32.6	
		S/T	0.93	0.90	0.81	0.66	0.96	0.93	0.84	0.68	0.99	0.95	0.86	0.70	1.00	0.98	0.89	0.72	1.00	1.00	0.92	0.75	1.00	1.00	0.93	0.75	
	1100	MBh	27	27	25	22	27	27	26	22	28	27	26	22	27	27	26	22	26	26	25	22	24	24	24	21	
		Amps	10.3	10.5	10.7	11.1	10.9	11.1	11.4	11.8	11.7	11.9	12.2	12.6	12.3	12.6	12.9	13.3	13.0	13.3	13.6	14.1	13.6	13.9	14.3	14.8	
	1000	Hi PR	143	154	163	170	161	173	182	190	183	196	207	216	208	224	236	246	234	252	266	277	258	278	294	306	
		Lo PR	65	69	76	81	69	73	80	85	72	76	83	89	75	80	87	93	79	84	92	98	82	87	95	101	

Shaded area reflects ARI conditions IDB: Entering Indoor Dry Bulb Temperature kW = Total system power Amps = outdoor unit amps (comp. +fan)  
 High and low pressures are measured at the liquid and suction service valves.

EXPANDED COOLING DATA — GPG1342\*\*\*1A

IDB	Airflow	Outdoor Ambient Temperature																							
		65°F				75°F				85°F				95°F				105°F				115°F			
		59	63	67	71	59	63	67	71	59	63	67	71	59	63	67	71	59	63	67	71	59	63	67	71
70	MBh	40.0	41.4	45.4	-	39.0	40.5	44.3	-	38.1	39.5	43.3	-	37.2	38.5	42.2	-	35.3	36.6	40.1	-	32.7	33.9	37.2	-
	S/T	0.75	0.63	0.44	-	0.78	0.65	0.45	-	0.80	0.67	0.46	-	0.83	0.69	0.48	-	0.86	0.72	0.50	-	0.86	0.72	0.50	-
	ΔT	19	17	13	-	19	17	13	-	19	17	13	-	19	17	13	-	19	17	13	-	18	16	12	-
	kW	2.85	2.91	3.00	-	3.07	3.14	3.24	-	3.26	3.34	3.44	-	3.44	3.51	3.63	-	3.58	3.66	3.78	-	3.71	3.79	3.92	-
	Amps	12.8	13.1	13.5	-	13.7	14.0	14.4	-	14.7	15.0	15.4	-	15.6	15.9	16.4	-	16.4	16.8	17.3	-	17.3	17.7	18.2	-
	Hi PR	157	169	179	-	176	190	200	-	200	216	228	-	228	246	259	-	257	276	292	-	284	305	323	-
	Lo PR	67	71	78	-	71	75	82	-	73	78	85	-	77	82	89	-	81	86	94	-	83	89	97	-
	MBh	39.6	41.0	44.9	-	38.7	40.1	43.9	-	37.7	39.1	42.9	-	36.8	38.2	41.8	-	35.0	36.3	39.7	-	32.4	33.6	36.8	-
	S/T	0.74	0.62	0.43	-	0.76	0.64	0.44	-	0.78	0.65	0.45	-	0.81	0.68	0.47	-	0.84	0.70	0.49	-	0.85	0.71	0.49	-
	ΔT	20	17	13	-	20	17	13	-	20	17	13	-	20	18	13	-	20	17	13	-	19	16	12	-
kW	2.84	2.90	3.00	-	3.06	3.13	3.23	-	3.26	3.33	3.44	-	3.43	3.50	3.62	-	3.57	3.65	3.77	-	3.70	3.78	3.91	-	
Amps	12.8	13.1	13.4	-	13.7	14.0	14.3	-	14.7	15.0	15.4	-	15.5	15.9	16.3	-	16.4	16.8	17.3	-	17.3	17.6	18.2	-	
Hi PR	157	169	178	-	176	189	200	-	200	215	227	-	228	245	259	-	256	276	291	-	283	305	322	-	
Lo PR	67	71	77	-	70	75	82	-	73	78	85	-	77	82	89	-	80	86	93	-	83	89	97	-	
MBh	39.0	40.4	44.3	-	38.1	39.5	43.2	-	37.2	38.5	42.2	-	36.3	37.6	41.2	-	34.5	35.7	39.1	-	31.9	33.1	36.2	-	
S/T	0.71	0.59	0.41	-	0.74	0.62	0.43	-	0.76	0.63	0.44	-	0.78	0.65	0.45	-	0.81	0.68	0.47	-	0.82	0.68	0.47	-	
ΔT	20	18	13	-	21	18	14	-	21	18	14	-	21	18	14	-	21	18	13	-	19	17	13	-	
kW	2.80	2.86	2.95	-	3.02	3.09	3.18	-	3.21	3.28	3.39	-	3.38	3.45	3.57	-	3.52	3.60	3.72	-	3.64	3.73	3.85	-	
Amps	12.7	12.9	13.3	-	13.5	13.8	14.2	-	14.5	14.8	15.2	-	15.3	15.7	16.1	-	16.2	16.5	17.0	-	17.0	17.4	17.9	-	
Hi PR	154	166	175	-	173	186	196	-	196	211	223	-	224	241	254	-	252	271	286	-	278	299	316	-	
Lo PR	65	70	76	-	69	74	80	-	72	76	83	-	75	80	88	-	79	84	92	-	82	87	95	-	

IDB	Airflow	Outdoor Ambient Temperature																							
		65°F				75°F				85°F				95°F				105°F				115°F			
		59	63	67	71	59	63	67	71	59	63	67	71	59	63	67	71	59	63	67	71	59	63	67	71
75	MBh	40.7	41.9	45.3	48.6	39.7	40.9	44.2	47.5	38.8	39.9	43.2	46.4	37.8	38.9	42.1	45.2	35.9	37.0	40.0	43.0	33.3	34.3	37.1	39.8
	S/T	0.86	0.76	0.58	0.37	0.89	0.79	0.60	0.39	0.91	0.81	0.62	0.40	0.94	0.84	0.63	0.41	0.97	0.87	0.66	0.42	0.98	0.88	0.66	0.43
	ΔT	22	20	17	11	22	21	17	12	22	21	17	12	22	21	17	12	22	20	17	12	21	19	16	11
	kW	2.87	2.93	3.03	3.13	3.10	3.16	3.26	3.37	3.29	3.36	3.47	3.59	3.47	3.54	3.66	3.78	3.61	3.69	3.82	3.95	3.74	3.82	3.95	4.09
	Amps	12.9	13.2	13.6	14.0	13.8	14.1	14.5	15.0	14.8	15.1	15.6	16.1	15.7	16.0	16.5	17.1	16.6	16.9	17.4	18.0	17.4	17.8	18.4	19.0
	Hi PR	159	171	180	188	178	192	202	211	203	218	230	240	231	248	262	273	260	279	295	308	287	309	326	340
	Lo PR	67	72	78	83	71	76	83	88	74	79	86	92	78	83	90	96	82	87	95	101	84	90	98	104
	MBh	40.2	41.4	44.9	48.1	39.3	40.5	43.8	47.0	38.4	39.5	42.8	45.9	37.4	38.5	41.7	44.8	35.6	36.6	39.6	42.5	32.9	33.9	36.7	39.4
	S/T	0.84	0.75	0.57	0.37	0.87	0.78	0.59	0.38	0.89	0.80	0.60	0.39	0.92	0.82	0.62	0.40	0.95	0.85	0.65	0.42	0.96	0.86	0.65	0.42
	ΔT	23	21	17	12	23	21	18	12	23	21	18	12	23	22	18	12	23	21	17	12	22	20	16	11
kW	2.87	2.93	3.02	3.12	3.09	3.15	3.26	3.36	3.28	3.36	3.47	3.58	3.46	3.53	3.65	3.77	3.60	3.68	3.81	3.94	3.73	3.81	3.94	4.08	
Amps	12.9	13.2	13.5	14.0	13.8	14.1	14.5	14.9	14.8	15.1	15.5	16.0	15.7	16.0	16.5	17.0	16.5	16.9	17.4	18.0	17.4	17.8	18.3	18.9	
Hi PR	158	170	180	188	178	191	202	210	202	217	229	239	230	248	261	273	259	278	294	307	286	308	325	339	
Lo PR	67	72	78	83	71	76	83	88	74	79	86	91	78	83	90	96	81	86	94	101	84	89	98	104	
MBh	39.6	40.8	44.2	47.4	38.7	39.9	43.2	46.3	37.8	38.9	42.1	45.2	36.9	38.0	41.1	44.1	35.0	36.1	39.0	41.9	32.5	33.4	36.2	38.8	
S/T	0.81	0.72	0.55	0.35	0.84	0.75	0.57	0.36	0.86	0.77	0.58	0.37	0.89	0.79	0.60	0.39	0.92	0.82	0.62	0.40	0.93	0.83	0.63	0.40	
ΔT	24	22	18	12	24	22	18	12	24	22	18	12	24	22	18	13	24	22	18	12	22	20	17	12	
kW	2.83	2.89	2.98	3.07	3.05	3.11	3.21	3.32	3.24	3.31	3.42	3.53	3.41	3.48	3.60	3.72	3.55	3.63	3.75	3.88	3.68	3.76	3.88	4.02	
Amps	12.7	13.0	13.4	13.8	13.6	13.9	14.3	14.7	14.6	14.9	15.3	15.8	15.5	15.8	16.2	16.8	16.3	16.7	17.2	17.7	17.2	17.5	18.1	18.7	
Hi PR	156	167	177	184	175	188	198	207	199	214	226	235	226	243	257	268	254	274	289	301	281	302	319	333	
Lo PR	66	70	77	82	70	74	81	86	73	77	84	90	76	81	89	94	80	85	93	99	83	88	96	102	

Shaded area reflects ACCA (TVA) conditions IDB: Entering Indoor Dry Bulb Temperature kW = Total system power Amps = outdoor unit amps (comp.+fan)  
 High and low pressures are measured at the liquid and suction service valves.



EXPANDED COOLING DATA — GPG1342\*\*\*1A (CONT.)

IDB	Airflow	Outdoor Ambient Temperature																								
		65°F				75°F				85°F				95°F				105°F				115°F				
		59	63	67	71	59	63	67	71	59	63	67	71	59	63	67	71	59	63	67	71	59	63	67	71	
80	1450	MBh	41.4	42.3	45.2	48.3	40.4	41.3	44.1	47.2	39.4	40.3	43.1	46.0	38.5	39.3	42.0	44.9	36.6	37.4	39.9	42.7	33.9	34.6	37.0	39.5
		S/T	0.94	0.88	0.72	0.54	0.97	0.91	0.74	0.55	1.00	0.93	0.76	0.57	1.00	0.96	0.79	0.59	1.00	1.00	0.82	0.61	1.00	1.00	0.82	0.61
	ΔT	25	24	21	16	25	24	21	17	24	24	21	17	24	24	21	17	23	24	21	16	21	22	19	15	
	kW	2.90	2.96	3.05	3.15	3.12	3.19	3.29	3.40	3.32	3.39	3.50	3.62	3.49	3.57	3.69	3.81	3.64	3.72	3.85	3.98	3.77	3.86	3.99	4.12	
	Amps	13.0	13.3	13.7	14.1	13.9	14.2	14.6	15.1	14.9	15.3	15.7	16.2	15.8	16.2	16.6	17.2	16.7	17.1	17.6	18.2	17.6	18.0	18.5	19.1	
	Hi PR	160	173	182	190	180	194	204	213	205	220	232	242	233	251	265	276	262	282	298	311	290	312	329	343	
	Lo PR	68	72	79	84	72	77	84	89	75	80	87	93	79	84	91	97	82	88	96	102	85	91	99	105	
	MBh	41.0	41.9	44.7	47.8	40.0	40.9	43.7	46.7	39.1	39.9	42.6	45.6	38.1	38.9	41.6	44.5	36.2	37.0	39.5	42.2	33.5	34.3	36.6	39.1	
	S/T	0.92	0.86	0.70	0.52	0.95	0.89	0.73	0.54	0.98	0.92	0.75	0.56	1.00	0.95	0.77	0.58	1.00	0.98	0.80	0.60	1.00	0.99	0.81	0.60	
	ΔT	26	25	21	17	26	25	22	17	26	25	22	17	26	25	22	17	26	25	22	17	23	23	20	16	
kW	2.89	2.95	3.04	3.14	3.11	3.18	3.28	3.39	3.31	3.38	3.49	3.61	3.49	3.56	3.68	3.81	3.63	3.72	3.84	3.97	3.76	3.85	3.98	4.11		
Amps	13.0	13.3	13.6	14.1	13.9	14.2	14.6	15.0	14.9	15.2	15.7	16.2	15.8	16.1	16.6	17.1	16.7	17.0	17.5	18.1	17.5	17.9	18.5	19.1		
Hi PR	160	172	182	189	179	193	204	213	204	220	232	242	232	250	264	275	261	281	297	310	289	311	328	342		
Lo PR	68	72	79	84	72	76	83	89	75	79	87	92	78	83	91	97	82	87	95	102	85	90	99	105		
MBh	40.3	41.2	44.0	47.1	39.4	40.3	43.0	46.0	38.5	39.3	42.0	44.9	37.5	38.4	41.0	43.8	35.7	36.4	38.9	41.6	33.0	33.8	36.1	38.5		
S/T	0.89	0.83	0.68	0.51	0.92	0.86	0.70	0.52	0.94	0.88	0.72	0.54	0.97	0.91	0.74	0.56	1.01	0.95	0.77	0.58	1.00	0.95	0.78	0.58		
ΔT	26	25	22	18	27	26	22	18	27	26	22	18	27	26	22	18	26	25	22	18	24	24	21	16		
kW	2.85	2.91	3.00	3.10	3.07	3.14	3.24	3.34	3.26	3.34	3.45	3.56	3.44	3.51	3.63	3.75	3.58	3.66	3.78	3.91	3.71	3.79	3.92	4.05		
Amps	12.8	13.1	13.5	13.9	13.7	14.0	14.4	14.8	14.7	15.0	15.5	16.0	15.6	15.9	16.4	16.9	16.4	16.8	17.3	17.9	17.3	17.7	18.2	18.8		
Hi PR	157	169	179	186	176	190	200	209	201	216	228	238	228	246	260	271	257	276	292	305	284	305	323	336		
Lo PR	67	71	78	83	71	75	82	87	73	78	85	91	77	82	89	95	81	86	94	100	83	89	97	103		

85	1450	MBh	42.1	42.9	44.9	47.9	41.1	41.9	43.9	46.8	40.1	40.9	42.9	45.7	39.2	39.9	41.8	44.6	37.2	37.9	39.7	42.4	34.5	35.1	36.8	39.2
		S/T	0.98	0.95	0.86	0.69	1.00	0.98	0.89	0.72	1.00	1.00	0.91	0.74	1.00	1.00	0.94	0.76	1.00	1.00	0.97	0.79	1.00	1.00	0.98	0.80
	ΔT	26	26	24	21	26	26	25	21	25	26	25	21	25	25	25	22	24	24	25	21	22	22	23	20	
	kW	2.92	2.98	3.08	3.18	3.15	3.21	3.32	3.43	3.35	3.42	3.53	3.65	3.52	3.60	3.72	3.85	3.67	3.76	3.88	4.01	3.80	3.89	4.02	4.16	
	Amps	13.1	13.4	13.8	14.2	14.0	14.3	14.7	15.2	15.1	15.4	15.8	16.3	16.0	16.3	16.8	17.3	16.9	17.2	17.7	18.3	17.7	18.1	18.7	19.3	
	Hi PR	162	174	184	192	182	196	206	215	207	222	235	245	235	253	267	279	265	285	301	314	293	315	332	347	
	Lo PR	69	73	80	85	73	77	84	90	76	80	88	93	79	84	92	98	83	88	97	103	86	92	100	106	
	MBh	41.7	42.5	44.5	47.5	40.7	41.5	43.5	46.4	39.7	40.5	42.4	45.3	38.8	39.5	41.4	44.2	36.8	37.5	39.3	42.0	34.1	34.8	36.4	38.9	
	S/T	0.96	0.93	0.84	0.68	1.00	0.96	0.87	0.71	1.00	0.99	0.89	0.72	1.00	1.00	0.92	0.75	1.00	1.00	0.96	0.78	1.00	1.00	0.96	0.78	
	ΔT	27	27	25	22	28	27	26	22	27	27	26	22	26	27	26	22	25	26	26	22	23	24	24	21	
kW	2.91	2.97	3.07	3.17	3.14	3.21	3.31	3.42	3.34	3.41	3.52	3.64	3.51	3.59	3.71	3.84	3.66	3.75	3.87	4.00	3.79	3.88	4.01	4.15		
Amps	13.1	13.4	13.7	14.2	14.0	14.3	14.7	15.2	15.0	15.3	15.8	16.3	15.9	16.3	16.7	17.3	16.8	17.2	17.7	18.3	17.7	18.1	18.6	19.2		
Hi PR	161	174	183	191	181	195	206	215	206	222	234	244	235	253	267	278	264	284	300	313	292	314	331	346		
Lo PR	69	73	80	85	72	77	84	90	75	80	87	93	79	84	92	98	83	88	96	103	86	91	100	106		
MBh	41.1	41.8	43.8	46.8	40.1	40.9	42.8	45.7	39.1	39.9	41.8	44.6	38.2	38.9	40.8	43.5	36.3	37.0	38.7	41.3	33.6	34.3	35.9	38.3		
S/T	0.93	0.90	0.81	0.66	0.96	0.93	0.84	0.68	0.99	0.95	0.86	0.70	1.00	0.98	0.89	0.72	1.00	1.00	0.92	0.75	1.00	1.00	0.93	0.75		
ΔT	28	28	26	23	28	28	26	23	28	28	26	23	28	28	27	23	27	27	26	23	25	25	25	21		
kW	2.87	2.93	3.03	3.12	3.09	3.16	3.26	3.37	3.29	3.36	3.47	3.59	3.46	3.54	3.66	3.78	3.61	3.69	3.82	3.95	3.74	3.82	3.95	4.09		
Amps	12.9	13.2	13.6	14.0	13.8	14.1	14.5	15.0	14.8	15.1	15.6	16.1	15.7	16.0	16.5	17.0	16.6	16.9	17.4	18.0	17.4	17.8	18.4	19.0		
Hi PR	159	171	180	188	178	192	202	211	203	218	230	240	231	248	262	273	259	279	295	308	287	309	326	340		
Lo PR	67	72	78	83	71	76	83	88	74	79	86	92	78	83	90	96	82	87	95	101	84	90	98	104		

Shaded area reflects ARI conditions  
 High and low pressures are measured at the liquid and suction service valves.  
 IDB: Entering Indoor Dry Bulb Temperature  
 kW = Total system power  
 Amps = outdoor unit amps (comp.+fan)

EXPANDED COOLING DATA — GPG1348\*\*\*1A

IDB	Airflow	Outdoor Ambient Temperature																							
		65°F				75°F				85°F				95°F				105°F				115°F			
		59	63	67	71	59	63	67	71	59	63	67	71	59	63	67	71	59	63	67	71	59	63	67	71
70	MBh	45.4	47.0	51.5	-	44.3	45.9	50.3	-	43.2	44.8	49.1	-	42.2	43.7	47.9	-	40.1	41.5	45.5	-	37.1	38.5	42.2	-
	S/T	0.76	0.63	0.44	-	0.78	0.66	0.45	-	0.80	0.67	0.47	-	0.83	0.69	0.48	-	0.86	0.72	0.50	-	0.87	0.73	0.50	-
	ΔT	20	17	13	-	20	17	13	-	20	17	13	-	20	17	13	-	20	17	13	-	18	16	12	-
	kW	3.32	3.39	3.48	-	3.55	3.62	3.72	-	3.75	3.82	3.93	-	3.93	4.00	4.12	-	4.07	4.16	4.28	-	4.20	4.29	4.42	-
	Amps	14.3	14.6	15.0	-	15.2	15.5	16.0	-	16.3	16.7	17.1	-	17.3	17.6	18.1	-	18.2	18.6	19.2	-	19.2	19.6	20.2	-
	Hi PR	145	156	165	-	163	175	185	-	185	199	211	-	211	227	240	-	237	256	270	-	262	282	298	-
	Lo PR	66	70	77	-	70	74	81	-	73	77	84	-	76	81	88	-	80	85	93	-	83	88	96	-
	MBh	44.9	46.5	51.0	-	43.9	45.5	49.8	-	42.8	44.4	48.6	-	41.8	43.3	47.4	-	39.7	41.1	45.1	-	36.8	38.1	41.7	-
	S/T	0.74	0.62	0.43	-	0.77	0.64	0.45	-	0.79	0.66	0.46	-	0.81	0.68	0.47	-	0.85	0.71	0.49	-	0.85	0.71	0.49	-
	ΔT	20	18	13	-	21	18	13	-	21	18	14	-	21	18	14	-	20	18	13	-	19	17	13	-
kW	3.32	3.38	3.47	-	3.54	3.61	3.71	-	3.74	3.81	3.93	-	3.92	3.99	4.11	-	4.07	4.15	4.27	-	4.19	4.28	4.41	-	
Amps	14.2	14.5	14.9	-	15.2	15.5	15.9	-	16.3	16.6	17.1	-	17.2	17.6	18.1	-	18.2	18.6	19.1	-	19.1	19.5	20.1	-	
Hi PR	145	156	165	-	162	175	185	-	185	199	210	-	210	226	239	-	237	255	269	-	262	281	297	-	
Lo PR	66	70	76	-	70	74	81	-	72	77	84	-	76	81	88	-	80	85	92	-	82	88	96	-	
MBh	44.2	45.8	50.2	-	43.2	44.8	49.1	-	42.2	43.7	47.9	-	41.1	42.6	46.7	-	39.1	40.5	44.4	-	36.2	37.5	41.1	-	
S/T	0.72	0.60	0.41	-	0.74	0.62	0.43	-	0.76	0.64	0.44	-	0.79	0.66	0.45	-	0.82	0.68	0.47	-	0.82	0.69	0.48	-	
ΔT	21	18	14	-	21	18	14	-	21	18	14	-	21	18	14	-	21	18	14	-	19	17	13	-	
kW	3.28	3.34	3.43	-	3.50	3.57	3.67	-	3.69	3.77	3.88	-	3.87	3.94	4.06	-	4.01	4.09	4.22	-	4.14	4.22	4.35	-	
Amps	14.1	14.3	14.7	-	15.0	15.3	15.7	-	16.1	16.4	16.9	-	17.0	17.4	17.9	-	17.9	18.3	18.9	-	18.9	19.3	19.8	-	
Hi PR	142	153	162	-	160	172	181	-	182	195	206	-	207	223	235	-	233	250	264	-	257	277	292	-	
Lo PR	65	69	75	-	68	73	79	-	71	76	83	-	75	79	87	-	78	83	91	-	81	86	94	-	

75	MBh	46.1	47.5	51.4	55.2	45.1	46.4	50.2	53.9	44.0	45.3	49.0	52.6	42.9	44.2	47.8	51.3	40.8	42.0	45.4	48.8	37.8	38.9	42.1	45.2
	S/T	0.86	0.77	0.58	0.37	0.89	0.80	0.60	0.39	0.91	0.82	0.62	0.40	0.94	0.84	0.64	0.41	0.98	0.88	0.66	0.43	0.99	0.88	0.67	0.43
	ΔT	23	21	17	12	23	21	17	12	23	21	17	12	23	21	17	12	23	21	17	12	21	20	16	11
	kW	3.35	3.41	3.51	3.61	3.58	3.64	3.75	3.86	3.78	3.85	3.96	4.08	3.96	4.03	4.15	4.28	4.11	4.19	4.32	4.45	4.24	4.32	4.46	4.59
	Amps	14.4	14.7	15.1	15.5	15.3	15.7	16.1	16.6	16.5	16.8	17.3	17.8	17.4	17.8	18.3	18.9	18.4	18.8	19.3	20.0	19.3	19.7	20.3	21.0
	Hi PR	147	158	167	174	165	177	187	195	187	201	213	222	213	229	242	253	240	258	273	284	265	285	301	314
	Lo PR	67	71	77	83	70	75	82	87	73	78	85	91	77	82	89	95	81	86	94	100	83	89	97	103
	MBh	45.7	47.0	50.9	54.6	44.6	45.9	49.7	53.4	43.5	44.8	48.5	52.1	42.5	43.7	47.3	50.8	40.4	41.6	45.0	48.3	37.4	38.5	41.7	44.7
	S/T	0.84	0.75	0.57	0.37	0.87	0.78	0.59	0.38	0.90	0.80	0.61	0.39	0.93	0.83	0.63	0.40	0.96	0.86	0.65	0.42	0.97	0.87	0.66	0.42
	ΔT	23	22	18	12	24	22	18	12	24	22	18	12	24	22	18	12	24	22	18	12	22	20	17	11
kW	3.34	3.40	3.50	3.60	3.57	3.64	3.74	3.85	3.77	3.84	3.96	4.07	3.95	4.03	4.15	4.27	4.10	4.18	4.31	4.44	4.23	4.31	4.45	4.58	
Amps	14.4	14.6	15.0	15.5	15.3	15.6	16.1	16.6	16.4	16.8	17.2	17.8	17.4	17.7	18.3	18.8	18.3	18.7	19.3	19.9	19.3	19.7	20.3	21.0	
Hi PR	146	157	166	173	164	177	186	195	187	201	212	221	213	229	242	252	239	257	272	283	264	284	300	313	
Lo PR	67	71	77	82	70	75	82	87	73	78	85	90	77	82	89	95	80	86	93	99	83	88	97	103	
MBh	45.0	46.3	50.1	53.8	43.9	45.2	49.0	52.6	42.9	44.2	47.8	51.3	41.8	43.1	46.6	50.0	39.8	40.9	44.3	47.5	36.8	37.9	41.0	44.0	
S/T	0.81	0.73	0.55	0.35	0.84	0.75	0.57	0.37	0.86	0.77	0.59	0.38	0.89	0.80	0.60	0.39	0.93	0.83	0.63	0.40	0.93	0.84	0.63	0.41	
ΔT	24	22	18	12	24	22	18	13	24	22	18	13	24	22	18	13	24	22	18	13	22	21	17	12	
kW	3.30	3.36	3.46	3.55	3.52	3.59	3.69	3.80	3.72	3.79	3.91	4.02	3.90	3.97	4.09	4.22	4.04	4.13	4.25	4.38	4.17	4.26	4.39	4.52	
Amps	14.2	14.5	14.8	15.3	15.1	15.4	15.8	16.3	16.2	16.5	17.0	17.5	17.1	17.5	18.0	18.6	18.1	18.5	19.0	19.6	19.0	19.4	20.0	20.7	
Hi PR	144	155	163	170	161	174	183	191	183	197	208	217	209	225	237	248	235	253	267	279	260	280	295	308	
Lo PR	65	70	76	81	69	73	80	85	72	76	83	89	75	80	88	93	79	84	92	98	82	87	95	101	

Shaded area reflects ACCA (TVA) conditions IDB: Entering Indoor Dry Bulb Temperature kW = Total system power Amps = outdoor unit amps (comp.+fan)  
 High and low pressures are measured at the liquid and suction service valves.

EXPANDED COOLING DATA — GPG1348\*\*\*1A (CONT.)

IDB	Airflow	Outdoor Ambient Temperature																							
		65°F				75°F				85°F				95°F				105°F				115°F			
		59	63	67	71	59	63	67	71	59	63	67	71	59	63	67	71	59	63	67	71	59	63	67	71
80	MBh	46.9	48.0	51.2	54.8	45.9	46.9	50.1	53.5	44.8	45.7	48.9	52.2	43.7	44.6	47.7	51.0	41.5	42.4	45.3	48.4	38.4	39.3	42.0	44.8
	S/T	0.94	0.89	0.72	0.54	0.98	0.92	0.75	0.56	1.00	0.94	0.77	0.57	1.00	0.97	0.79	0.59	1.00	1.00	0.82	0.61	1.00	1.00	0.83	0.62
	ΔT	25	24	21	17	26	25	21	17	26	25	21	17	25	25	22	17	24	24	21	17	22	22	20	16
	kW	3.37	3.43	3.53	3.63	3.60	3.67	3.78	3.89	3.81	3.88	3.99	4.11	3.99	4.07	4.19	4.31	4.14	4.22	4.35	4.48	4.27	4.36	4.49	4.63
	Amps	14.5	14.8	15.2	15.7	15.5	15.8	16.2	16.7	16.6	16.9	17.4	18.0	17.6	17.9	18.4	19.0	18.5	18.9	19.5	20.1	19.5	19.9	20.5	21.2
	Hi PR	148	159	168	176	166	179	189	197	189	203	215	224	215	232	245	255	242	261	275	287	268	288	304	317
	Lo PR	67	72	78	83	71	76	83	88	74	79	86	92	78	83	90	96	81	87	95	101	84	90	98	104
	MBh	46.5	47.5	50.7	54.2	45.4	46.4	49.6	53.0	44.3	45.3	48.4	51.7	43.2	44.2	47.2	50.5	41.1	42.0	44.8	47.9	38.0	38.9	41.5	44.4
	S/T	0.93	0.87	0.71	0.53	0.96	0.90	0.73	0.55	0.98	0.92	0.75	0.56	1.00	0.95	0.78	0.58	1.00	0.99	0.80	0.60	1.00	1.00	0.81	0.61
	ΔT	26	25	22	17	27	25	22	18	27	25	22	18	26	26	22	18	25	25	22	18	23	24	21	16
kW	3.36	3.43	3.52	3.62	3.59	3.66	3.77	3.88	3.80	3.87	3.99	4.11	3.98	4.06	4.18	4.30	4.13	4.21	4.34	4.47	4.26	4.35	4.48	4.62	
Amps	14.5	14.8	15.2	15.6	15.4	15.7	16.2	16.7	16.6	16.9	17.4	17.9	17.5	17.9	18.4	19.0	18.5	18.9	19.4	20.1	19.4	19.9	20.4	21.1	
Hi PR	148	159	168	175	166	178	188	196	189	203	214	223	215	231	244	254	242	260	275	286	267	287	303	316	
Lo PR	67	71	78	83	71	76	82	88	74	78	86	91	77	82	90	96	81	86	94	100	84	89	98	104	
MBh	45.8	46.8	50.0	53.4	44.7	45.7	48.8	52.2	43.7	44.6	47.7	50.9	42.6	43.5	46.5	49.7	40.5	41.3	44.2	47.2	37.5	38.3	40.9	43.7	
S/T	0.89	0.84	0.68	0.51	0.93	0.87	0.71	0.53	0.95	0.89	0.72	0.54	0.98	0.92	0.75	0.56	1.00	0.95	0.78	0.58	1.00	0.96	0.78	0.58	
ΔT	27	26	22	18	27	26	22	18	27	26	23	18	27	26	23	18	26	26	22	18	24	24	21	17	
kW	3.32	3.39	3.48	3.58	3.55	3.62	3.72	3.83	3.75	3.82	3.93	4.05	3.93	4.00	4.12	4.25	4.08	4.16	4.28	4.41	4.20	4.29	4.42	4.56	
Amps	14.3	14.6	15.0	15.4	15.2	15.5	16.0	16.5	16.3	16.7	17.1	17.7	17.3	17.6	18.2	18.7	18.2	18.6	19.2	19.8	19.2	19.6	20.2	20.8	
Hi PR	145	156	165	172	163	175	185	193	185	199	211	220	211	227	240	250	237	256	270	281	262	282	298	311	
Lo PR	66	70	77	82	70	74	81	86	73	77	84	90	76	81	88	94	80	85	93	99	83	88	96	102	

85	MBh	47.8	48.7	51.0	54.4	46.7	47.6	49.8	53.1	45.5	46.4	48.6	51.9	44.4	45.3	47.4	50.6	42.2	43.0	45.1	48.1	39.1	39.9	41.7	44.5
	S/T	0.99	0.95	0.86	0.70	1.00	0.99	0.89	0.72	1.00	1.00	0.92	0.74	1.00	1.00	0.95	0.77	1.00	1.00	0.98	0.80	1.00	1.00	0.99	0.80
	ΔT	27	27	25	22	27	27	25	22	26	27	25	22	25	26	26	22	24	25	25	22	22	22	23	20
	kW	3.39	3.46	3.56	3.66	3.63	3.70	3.81	3.92	3.83	3.91	4.02	4.15	4.02	4.10	4.22	4.35	4.17	4.25	4.38	4.52	4.30	4.39	4.53	4.67
	Amps	14.6	14.9	15.3	15.8	15.6	15.9	16.3	16.9	16.7	17.1	17.5	18.1	17.7	18.1	18.6	19.2	18.7	19.1	19.6	20.3	19.6	20.1	20.7	21.4
	Hi PR	150	161	170	177	168	181	191	199	191	206	217	226	218	234	247	258	245	263	278	290	270	291	307	320
	Lo PR	68	72	79	84	72	76	84	89	75	80	87	92	78	84	91	97	82	88	96	102	85	91	99	105
	MBh	47.3	48.2	50.5	53.9	46.2	47.1	49.3	52.6	45.1	46.0	48.1	51.4	44.0	44.8	47.0	50.1	41.8	42.6	44.6	47.6	38.7	39.5	41.3	44.1
	S/T	0.97	0.94	0.84	0.69	1.00	0.97	0.88	0.71	1.00	0.99	0.90	0.73	1.00	1.00	0.93	0.75	1.00	1.00	0.96	0.78	1.00	1.00	0.97	0.79
	ΔT	28	27	26	22	28	28	26	23	27	28	26	23	27	27	27	23	25	26	26	23	24	24	24	21
kW	3.39	3.45	3.55	3.65	3.62	3.69	3.80	3.91	3.82	3.90	4.02	4.14	4.01	4.09	4.21	4.34	4.16	4.24	4.37	4.51	4.29	4.38	4.51	4.66	
Amps	14.6	14.9	15.3	15.7	15.5	15.9	16.3	16.8	16.7	17.0	17.5	18.1	17.7	18.0	18.5	19.2	18.6	19.0	19.6	20.2	19.6	20.0	20.6	21.3	
Hi PR	149	161	170	177	167	180	190	198	190	205	216	226	217	233	246	257	244	263	277	289	270	290	306	319	
Lo PR	68	72	79	84	72	76	83	89	75	79	87	92	78	83	91	97	82	87	95	101	85	90	99	105	
MBh	46.6	47.5	49.7	53.1	45.5	46.4	48.6	51.8	44.4	45.3	47.4	50.6	43.3	44.2	46.3	49.4	41.2	42.0	43.9	46.9	38.1	38.9	40.7	43.4	
S/T	0.94	0.90	0.81	0.66	0.97	0.94	0.84	0.69	0.99	0.96	0.87	0.70	1.00	0.99	0.89	0.73	1.00	1.00	0.93	0.75	1.00	1.00	0.94	0.76	
ΔT	28	28	26	23	29	28	27	23	29	28	27	23	28	29	27	23	27	27	27	23	25	25	25	21	
kW	3.35	3.41	3.51	3.61	3.57	3.64	3.75	3.86	3.78	3.85	3.96	4.08	3.95	4.03	4.15	4.28	4.11	4.19	4.32	4.45	4.24	4.32	4.45	4.59	
Amps	14.4	14.7	15.1	15.5	15.3	15.7	16.1	16.6	16.5	16.8	17.3	17.8	17.4	17.8	18.3	18.9	18.4	18.8	19.3	20.0	19.3	19.7	20.3	21.0	
Hi PR	147	158	167	174	165	177	187	195	187	201	213	222	213	229	242	253	240	258	273	284	265	285	301	314	
Lo PR	67	71	77	83	70	75	82	87	73	78	85	91	77	82	89	95	81	86	94	100	83	89	97	103	

Shaded area reflects ARI conditions IDB: Entering Indoor Dry Bulb Temperature kW = Total system power Amps = outdoor unit amps (comp. +fan)  
 High and low pressures are measured at the liquid and suction service valves.

EXPANDED COOLING DATA — GPG1360\*\*\*1A — SINGLE STAGE

		Outdoor Ambient Temperature																								
		65°F				75°F				85°F				95°F				105°F				115°F				
		IDB	Airflow	59	63	67	71	59	63	67	71	59	63	67	71	59	63	67	71	59	63	67	71	59	63	67
70	1450	MBh	41.1	42.6	46.7	-	40.2	41.6	45.6	-	39.2	40.6	44.5	-	38.3	39.7	43.4	-	36.3	37.7	41.3	-	33.7	34.9	38.2	-
		S/T	0.74	0.62	0.43	-	0.77	0.64	0.44	-	0.79	0.66	0.45	-	0.81	0.68	0.47	-	0.84	0.70	0.49	-	0.85	0.71	0.49	-
	ΔT	19	17	13	-	20	17	13	-	20	17	13	-	20	17	13	-	19	17	13	-	18	16	12	-	
	kW	2.98	3.04	3.13	-	3.20	3.26	3.36	-	3.39	3.45	3.56	-	3.55	3.62	3.74	-	3.69	3.77	3.89	-	3.81	3.89	4.02	-	
	Amps	13.0	13.3	13.6	-	13.9	14.1	14.5	-	14.8	15.1	15.5	-	15.6	15.9	16.4	-	16.5	16.8	17.3	-	17.3	17.6	18.1	-	
	Hi PR	139	149	158	-	156	167	177	-	177	190	201	-	202	217	229	-	227	244	258	-	251	270	285	-	
	Lo PR	66	70	77	-	70	74	81	-	73	77	84	-	76	81	88	-	80	85	93	-	83	88	96	-	
	MBh	40.7	42.2	46.2	-	39.8	41.2	45.2	-	38.8	40.2	44.1	-	37.9	39.3	43.0	-	36.0	37.3	40.9	-	33.3	34.5	37.9	-	
	S/T	0.73	0.61	0.42	-	0.75	0.63	0.43	-	0.77	0.64	0.45	-	0.80	0.66	0.46	-	0.83	0.69	0.48	-	0.83	0.70	0.48	-	
	ΔT	20	17	13	-	20	18	13	-	20	18	13	-	21	18	13	-	20	18	13	-	19	16	12	-	
kW	2.98	3.04	3.13	-	3.19	3.25	3.35	-	3.38	3.45	3.55	-	3.54	3.62	3.73	-	3.68	3.76	3.88	-	3.80	3.88	4.01	-		
Amps	13.0	13.3	13.6	-	13.8	14.1	14.5	-	14.8	15.1	15.5	-	15.6	15.9	16.3	-	16.4	16.8	17.2	-	17.2	17.6	18.1	-		
Hi PR	138	149	157	-	155	167	176	-	176	190	200	-	201	216	228	-	226	243	257	-	250	269	284	-		
Lo PR	66	70	76	-	70	74	81	-	72	77	84	-	76	81	88	-	80	85	92	-	82	88	96	-		
MBh	40.1	41.6	45.5	-	39.2	40.6	44.5	-	38.2	39.6	43.4	-	37.3	38.7	42.4	-	35.4	36.7	40.3	-	32.8	34.0	37.3	-		
S/T	0.70	0.58	0.40	-	0.72	0.61	0.42	-	0.74	0.62	0.43	-	0.77	0.64	0.44	-	0.80	0.67	0.46	-	0.80	0.67	0.46	-		
ΔT	21	18	14	-	21	18	14	-	21	18	14	-	21	18	14	-	21	18	14	-	19	17	13	-		
kW	2.94	3.00	3.09	-	3.15	3.21	3.31	-	3.33	3.40	3.50	-	3.50	3.57	3.68	-	3.63	3.71	3.83	-	3.75	3.83	3.95	-		
Amps	12.9	13.1	13.4	-	13.7	13.9	14.3	-	14.6	14.9	15.3	-	15.4	15.7	16.1	-	16.2	16.5	17.0	-	17.0	17.3	17.8	-		
Hi PR	136	146	154	-	152	164	173	-	173	187	197	-	198	213	224	-	222	239	253	-	246	264	279	-		
Lo PR	65	69	75	-	68	73	79	-	71	76	83	-	75	79	87	-	78	83	91	-	81	86	94	-		

75	1450	MBh	41.8	43.1	46.6	50.0	40.9	42.1	45.5	48.9	39.9	41.1	44.4	47.7	38.9	40.1	43.4	46.5	37.0	38.1	41.2	44.2	34.2	35.2	38.2	41.0
		S/T	0.84	0.75	0.57	0.37	0.87	0.78	0.59	0.38	0.89	0.80	0.60	0.39	0.92	0.82	0.62	0.40	0.96	0.86	0.65	0.42	0.97	0.86	0.65	0.42
	ΔT	22	21	17	12	23	21	17	12	23	21	17	12	23	21	17	12	22	21	17	12	22	21	19	16	11
	kW	3.01	3.07	3.16	3.25	3.22	3.29	3.39	3.49	3.41	3.48	3.59	3.70	3.58	3.65	3.77	3.89	3.72	3.80	3.92	4.04	3.84	3.93	4.05	4.18	
	Amps	13.1	13.4	13.7	14.1	14.0	14.2	14.6	15.0	14.9	15.2	15.6	16.1	15.8	16.1	16.5	17.0	16.6	16.9	17.4	17.9	17.4	17.8	18.3	18.9	
	Hi PR	140	151	159	166	157	169	179	186	179	192	203	212	204	219	231	241	229	246	260	271	253	272	288	300	
	Lo PR	67	71	77	83	70	75	82	87	73	78	85	91	77	82	89	95	81	86	94	100	83	89	97	103	
	MBh	41.4	42.6	46.1	49.5	40.4	41.6	45.1	48.4	39.5	40.7	44.0	47.2	38.5	39.7	42.9	46.1	36.6	37.7	40.8	43.8	33.9	34.9	37.8	40.5	
	S/T	0.82	0.74	0.56	0.36	0.85	0.76	0.58	0.37	0.88	0.78	0.59	0.38	0.90	0.81	0.61	0.39	0.94	0.84	0.64	0.41	0.95	0.85	0.64	0.41	
	ΔT	23	21	18	12	24	22	18	12	24	22	18	12	24	22	18	12	23	22	18	12	22	20	16	11	
kW	3.00	3.06	3.15	3.24	3.21	3.28	3.38	3.48	3.40	3.47	3.58	3.69	3.57	3.65	3.76	3.88	3.71	3.79	3.91	4.03	3.84	3.92	4.04	4.17		
Amps	13.1	13.4	13.7	14.1	13.9	14.2	14.6	15.0	14.9	15.2	15.6	16.1	15.7	16.0	16.5	17.0	16.5	16.9	17.4	17.9	17.4	17.7	18.2	18.8		
Hi PR	140	150	159	166	157	169	178	186	178	192	203	211	203	218	231	241	229	246	260	271	252	272	287	299		
Lo PR	67	71	77	82	70	75	82	87	73	78	85	90	77	82	89	95	80	86	93	99	83	88	97	103		
MBh	40.8	42.0	45.5	48.8	39.8	41.0	44.4	47.7	38.9	40.0	43.3	46.5	37.9	39.1	42.3	45.4	36.0	37.1	40.2	43.1	33.4	34.4	37.2	39.9		
S/T	0.79	0.71	0.54	0.35	0.82	0.74	0.56	0.36	0.84	0.76	0.57	0.37	0.87	0.78	0.59	0.38	0.91	0.81	0.61	0.39	0.91	0.82	0.62	0.40		
ΔT	24	22	18	12	24	22	18	13	24	22	18	13	24	22	18	13	24	22	18	12	22	21	17	12		
kW	2.96	3.02	3.11	3.20	3.17	3.24	3.33	3.44	3.36	3.43	3.53	3.64	3.52	3.60	3.71	3.82	3.66	3.74	3.86	3.98	3.78	3.86	3.98	4.11		
Amps	13.0	13.2	13.5	13.9	13.8	14.0	14.4	14.8	14.7	15.0	15.4	15.9	15.5	15.8	16.3	16.8	16.3	16.7	17.1	17.7	17.1	17.5	18.0	18.6		
Hi PR	137	148	156	163	154	166	175	183	175	189	199	208	200	215	227	236	224	242	255	266	248	267	282	294		
Lo PR	65	70	76	81	69	73	80	85	72	76	83	89	75	80	88	93	79	84	92	98	82	87	95	101		

Shaded area reflects ACCA (TVA) conditions IDB: Entering Indoor Dry Bulb Temperature kW = Total system power Amps = outdoor unit amps (comp.+fan)  
 High and low pressures are measured at the liquid and suction service valves.

EXPANDED COOLING DATA — GPG1360\*\*\*1A — SINGLE STAGE (CONT.)

IDB	Airflow	Outdoor Ambient Temperature																							
		65°F				75°F				85°F				95°F				105°F				115°F			
		59	63	67	71	59	63	67	71	59	63	67	71	59	63	67	71	59	63	67	71	59	63	67	71
80	MBh	42.6	43.5	46.5	49.7	41.6	42.5	45.4	48.5	40.6	41.5	44.3	47.4	39.6	40.5	43.2	46.2	37.6	38.4	41.1	43.9	34.8	35.6	38.0	40.7
	S/T	0.92	0.86	0.70	0.53	0.96	0.90	0.73	0.55	0.98	0.92	0.75	0.56	1.00	0.95	0.77	0.58	1.00	0.98	0.80	0.60	1.00	1.00	0.81	0.60
	ΔT	25	24	21	17	25	24	21	17	25	24	21	17	25	24	21	17	24	24	21	17	22	23	19	16
	kW	3.03	3.09	3.18	3.28	3.25	3.31	3.41	3.52	3.44	3.51	3.62	3.73	3.61	3.68	3.80	3.92	3.75	3.83	3.95	4.08	3.88	3.96	4.08	4.21
	Amps	13.2	13.5	13.8	14.2	14.1	14.3	14.7	15.2	15.0	15.3	15.7	16.2	15.9	16.2	16.6	17.2	16.7	17.1	17.5	18.1	17.5	17.9	18.4	19.0
	Hi PR	141	152	161	168	159	171	180	188	181	194	205	214	206	221	234	244	231	249	263	274	256	275	290	303
	Lo PR	67	72	78	83	71	76	83	88	74	79	86	92	78	83	90	96	81	87	95	101	84	90	98	104
	MBh	42.1	43.1	46.0	49.2	41.2	42.1	44.9	48.0	40.2	41.1	43.9	46.9	39.2	40.1	42.8	45.8	37.2	38.1	40.7	43.5	34.5	35.3	37.7	40.3
	S/T	0.90	0.85	0.69	0.52	0.94	0.88	0.72	0.53	0.96	0.90	0.73	0.55	0.99	0.93	0.76	0.57	1.00	0.97	0.79	0.59	1.00	0.97	0.79	0.59
	ΔT	26	25	22	17	26	25	22	18	26	25	22	18	26	25	22	18	25	25	22	17	23	23	20	16
kW	3.02	3.08	3.17	3.27	3.24	3.30	3.40	3.51	3.43	3.50	3.61	3.72	3.60	3.67	3.79	3.91	3.74	3.82	3.94	4.07	3.87	3.95	4.07	4.20	
Amps	13.2	13.4	13.8	14.2	14.0	14.3	14.7	15.1	15.0	15.3	15.7	16.2	15.8	16.2	16.6	17.1	16.7	17.0	17.5	18.0	17.5	17.9	18.4	19.0	
Hi PR	141	152	160	167	158	170	180	188	180	194	205	213	205	221	233	243	231	248	262	273	255	274	290	302	
Lo PR	67	71	78	83	71	76	82	88	74	78	86	91	77	82	90	96	81	86	94	100	84	89	98	104	
MBh	41.5	42.4	45.3	48.4	40.5	41.4	44.3	47.3	39.6	40.4	43.2	46.2	38.6	39.5	42.2	45.1	36.7	37.5	40.1	42.8	34.0	34.7	37.1	39.7	
S/T	0.87	0.82	0.67	0.50	0.90	0.85	0.69	0.52	0.93	0.87	0.71	0.53	0.96	0.90	0.73	0.55	0.99	0.93	0.76	0.57	1.00	0.94	0.76	0.57	
ΔT	27	26	22	18	27	26	22	18	27	26	22	18	27	26	23	18	27	26	22	18	25	24	21	17	
kW	2.98	3.04	3.13	3.23	3.20	3.26	3.36	3.46	3.39	3.45	3.56	3.67	3.55	3.62	3.74	3.85	3.69	3.77	3.89	4.01	3.81	3.89	4.02	4.15	
Amps	13.0	13.3	13.6	14.0	13.9	14.1	14.5	14.9	14.8	15.1	15.5	16.0	15.6	15.9	16.4	16.9	16.5	16.8	17.3	17.8	17.3	17.6	18.1	18.7	
Hi PR	139	149	158	164	156	167	177	184	177	190	201	210	202	217	229	239	227	244	258	269	251	270	285	297	
Lo PR	66	70	77	82	70	74	81	86	73	77	84	90	76	81	88	94	80	85	93	99	83	88	96	102	

85	MBh	43.3	44.1	46.2	49.3	42.3	43.1	45.2	48.2	41.3	42.1	44.1	47.0	40.3	41.1	43.0	45.9	38.3	39.0	40.9	43.6	35.5	36.1	37.9	40.4
	S/T	0.97	0.93	0.84	0.68	1.00	0.97	0.87	0.71	1.00	0.99	0.89	0.73	1.00	1.00	0.92	0.75	1.00	1.00	0.96	0.78	1.00	1.00	0.97	0.78
	ΔT	27	26	25	21	27	26	25	22	26	26	25	22	26	26	25	22	24	25	25	21	22	23	23	20
	kW	3.05	3.11	3.20	3.30	3.27	3.34	3.44	3.54	3.46	3.54	3.64	3.76	3.64	3.71	3.83	3.95	3.78	3.86	3.98	4.11	3.91	3.99	4.12	4.25
	Amps	13.3	13.6	13.9	14.3	14.2	14.4	14.8	15.3	15.1	15.4	15.9	16.4	16.0	16.3	16.8	17.3	16.8	17.2	17.7	18.2	17.7	18.0	18.6	19.2
	Hi PR	143	154	162	169	160	173	182	190	182	196	207	216	208	224	236	246	234	251	266	277	258	278	293	306
	Lo PR	68	72	79	84	72	76	84	89	75	80	87	92	78	84	91	97	82	88	96	102	85	91	99	105
	MBh	42.9	43.7	45.8	48.8	41.9	42.7	44.7	47.7	40.9	41.7	43.7	46.6	39.9	40.7	42.6	45.4	37.9	38.6	40.5	43.2	35.1	35.8	37.5	40.0
	S/T	0.95	0.91	0.83	0.67	0.98	0.95	0.86	0.69	1.00	0.97	0.88	0.71	1.00	1.00	0.91	0.73	1.00	1.00	0.94	0.76	1.00	1.00	0.95	0.77
	ΔT	28	27	26	22	28	28	26	23	28	28	26	23	27	28	26	23	26	26	26	22	24	24	24	21
kW	3.05	3.11	3.20	3.29	3.26	3.33	3.43	3.54	3.46	3.53	3.64	3.75	3.63	3.70	3.82	3.94	3.77	3.85	3.97	4.10	3.90	3.98	4.11	4.24	
Amps	13.3	13.5	13.9	14.3	14.1	14.4	14.8	15.2	15.1	15.4	15.8	16.3	16.0	16.3	16.7	17.3	16.8	17.1	17.6	18.2	17.6	18.0	18.5	19.1	
Hi PR	142	153	162	169	160	172	182	189	182	196	207	216	207	223	235	245	233	251	265	276	257	277	293	305	
Lo PR	68	72	79	84	72	76	83	89	75	79	87	92	78	83	91	97	82	87	95	101	85	90	99	105	
MBh	42.2	43.1	45.1	48.1	41.3	42.1	44.0	47.0	40.3	41.1	43.0	45.9	39.3	40.1	41.9	44.8	37.3	38.0	39.8	42.5	34.6	35.2	36.9	39.4	
S/T	0.91	0.88	0.80	0.65	0.95	0.91	0.82	0.67	0.97	0.94	0.85	0.69	1.00	0.97	0.87	0.71	1.00	1.00	0.91	0.74	1.00	1.00	0.91	0.74	
ΔT	28	28	26	23	29	28	27	23	29	28	27	23	29	29	27	23	27	28	27	23	25	26	25	21	
kW	3.01	3.07	3.16	3.25	3.22	3.29	3.39	3.49	3.41	3.48	3.59	3.70	3.58	3.65	3.77	3.89	3.72	3.80	3.92	4.04	3.84	3.93	4.05	4.18	
Amps	13.1	13.4	13.7	14.1	14.0	14.2	14.6	15.0	14.9	15.2	15.6	16.1	15.8	16.1	16.5	17.0	16.6	16.9	17.4	17.9	17.4	17.8	18.3	18.9	
Hi PR	140	151	159	166	157	169	179	186	179	192	203	212	204	219	231	241	229	246	260	271	253	272	288	300	
Lo PR	67	71	77	83	70	75	82	87	73	78	85	91	77	82	89	95	81	86	94	100	83	89	97	103	

Shaded area reflects ARI conditions IDB: Entering Indoor Dry Bulb Temperature kW = Total system power Amps = outdoor unit amps (comp.+fan)  
 High and low pressures are measured at the liquid and suction service valves.



EXPANDED COOLING DATA — GPG1360\*\*\*1A — Two Stage

IDB	Airflow	Outdoor Ambient Temperature																							
		65°F				75°F				85°F				95°F				105°F				115°F			
		59	63	67	71	59	63	67	71	59	63	67	71	59	63	67	71	59	63	67	71	59	63	67	71
1910	MBh	54.6	56.6	62.0	-	53.3	55.3	60.5	-	52.0	53.9	59.1	-	50.8	52.6	57.7	-	48.2	50.0	54.8	-	44.7	46.3	50.7	-
	S/T	0.73	0.61	0.42	-	0.76	0.63	0.44	-	0.78	0.65	0.45	-	0.80	0.67	0.46	-	0.83	0.70	0.48	-	0.84	0.70	0.49	-
	ΔT	19	17	13	-	19	17	13	-	20	17	13	-	20	17	13	-	19	17	13	-	18	16	12	-
	kW	4.35	4.44	4.57	-	4.66	4.75	4.90	-	4.93	5.03	5.18	-	5.17	5.28	5.44	-	5.38	5.49	5.66	-	5.55	5.67	5.84	-
	Amps	20.3	20.6	21.1	-	21.5	21.8	22.4	-	22.8	23.2	23.8	-	24.0	24.5	25.1	-	25.2	25.7	26.3	-	26.4	26.9	27.6	-
	Hi PR	154	166	175	-	173	186	197	-	197	212	224	-	224	241	255	-	252	271	286	-	278	300	316	-
	Lo PR	65	69	76	-	69	73	80	-	72	76	83	-	75	80	87	-	79	84	92	-	82	87	95	-
	MBh	54.0	56.0	61.4	-	52.8	54.7	59.9	-	51.5	53.4	58.5	-	50.3	52.1	57.1	-	47.8	49.5	54.2	-	44.2	45.8	50.2	-
	S/T	0.72	0.60	0.42	-	0.74	0.62	0.43	-	0.76	0.64	0.44	-	0.79	0.66	0.46	-	0.82	0.68	0.47	-	0.82	0.69	0.48	-
	ΔT	20	17	13	-	20	17	13	-	20	17	13	-	20	17	13	-	20	17	13	-	19	16	12	-
70	kW	4.35	4.43	4.56	-	4.65	4.74	4.88	-	4.92	5.02	5.17	-	5.16	5.27	5.43	-	5.36	5.47	5.64	-	5.54	5.65	5.83	-
	Amps	20.2	20.6	21.1	-	21.4	21.8	22.3	-	22.8	23.2	23.8	-	24.0	24.4	25.0	-	25.1	25.6	26.3	-	26.3	26.8	27.5	-
	Hi PR	154	165	175	-	172	186	196	-	196	211	223	-	223	240	254	-	251	270	286	-	278	299	315	-
	Lo PR	65	69	76	-	69	73	80	-	71	76	83	-	75	80	87	-	79	84	91	-	81	87	95	-
	MBh	53.2	55.2	60.4	-	52.0	53.9	59.0	-	50.8	52.6	57.6	-	49.5	51.3	56.2	-	47.0	48.8	53.4	-	43.6	45.2	49.5	-
	S/T	0.69	0.58	0.40	-	0.72	0.60	0.42	-	0.74	0.61	0.43	-	0.76	0.63	0.44	-	0.79	0.66	0.46	-	0.80	0.66	0.46	-
	ΔT	20	17	13	-	20	17	13	-	20	17	13	-	20	18	13	-	20	17	13	-	19	16	12	-
	kW	4.29	4.37	4.50	-	4.59	4.68	4.82	-	4.86	4.96	5.11	-	5.09	5.20	5.36	-	5.29	5.40	5.57	-	5.46	5.58	5.75	-
	Amps	20.0	20.4	20.8	-	21.2	21.5	22.1	-	22.5	22.9	23.5	-	23.7	24.1	24.7	-	24.8	25.3	26.0	-	26.0	26.5	27.2	-
	Hi PR	151	163	172	-	170	182	193	-	193	207	219	-	220	236	250	-	247	266	281	-	273	294	310	-
Lo PR	64	68	74	-	68	72	79	-	70	75	82	-	74	79	86	-	77	82	90	-	80	85	93	-	

1910	MBh	55.5	57.1	61.9	66.4	54.2	55.8	60.4	64.8	52.9	54.5	59.0	63.3	51.6	53.2	57.5	61.8	49.0	50.5	54.7	58.7	45.4	46.8	50.6	54.3
	S/T	0.83	0.74	0.56	0.36	0.86	0.77	0.58	0.38	0.89	0.79	0.60	0.39	0.91	0.82	0.62	0.40	0.95	0.85	0.64	0.41	0.96	0.86	0.65	0.42
	ΔT	22	20	17	12	23	21	17	12	23	21	17	12	23	21	17	12	22	21	17	12	21	19	16	11
	kW	4.39	4.47	4.60	4.74	4.70	4.79	4.93	5.08	4.97	5.07	5.23	5.39	5.21	5.32	5.48	5.66	5.42	5.53	5.70	5.88	5.60	5.71	5.89	6.08
	Amps	20.4	20.8	21.3	21.8	21.6	22.0	22.5	23.2	23.0	23.4	24.0	24.7	24.2	24.6	25.3	26.0	25.4	25.9	26.5	27.3	26.6	27.1	27.8	28.6
	Hi PR	156	168	177	185	175	188	199	207	199	214	226	236	226	244	257	268	255	274	289	302	281	303	320	333
	Lo PR	66	70	77	82	70	74	81	86	72	77	84	90	76	81	88	94	80	85	93	99	82	88	96	102
	MBh	55.0	56.6	61.2	65.7	53.7	55.3	59.8	64.2	52.4	53.9	58.4	62.7	51.1	52.6	57.0	61.1	48.6	50.0	54.1	58.1	45.0	46.3	50.1	53.8
	S/T	0.82	0.73	0.55	0.36	0.85	0.76	0.57	0.37	0.87	0.78	0.59	0.38	0.90	0.80	0.61	0.39	0.93	0.83	0.63	0.40	0.94	0.84	0.63	0.41
	ΔT	23	21	17	12	23	21	17	12	23	21	17	12	23	21	18	12	23	21	17	12	21	20	16	11
75	kW	4.38	4.46	4.59	4.73	4.69	4.78	4.92	5.07	4.96	5.06	5.21	5.37	5.20	5.31	5.47	5.64	5.41	5.52	5.69	5.87	5.58	5.70	5.88	6.07
	Amps	20.4	20.7	21.2	21.8	21.6	21.9	22.5	23.1	22.9	23.4	23.9	24.6	24.1	24.6	25.2	26.0	25.3	25.8	26.5	27.3	26.5	27.0	27.7	28.6
	Hi PR	155	167	176	184	174	187	198	206	198	213	225	235	226	243	256	267	254	273	288	301	280	302	319	332
	Lo PR	66	70	76	81	69	74	81	86	72	77	84	89	76	81	88	94	80	85	92	98	82	87	96	102
	MBh	54.1	55.7	60.3	64.7	52.9	54.4	58.9	63.2	51.6	53.1	57.5	61.7	50.4	51.8	56.1	60.2	47.8	49.3	53.3	57.2	44.3	45.6	49.4	53.0
	S/T	0.79	0.70	0.53	0.34	0.82	0.73	0.55	0.36	0.84	0.75	0.57	0.36	0.86	0.77	0.58	0.38	0.90	0.80	0.61	0.39	0.90	0.81	0.61	0.39
	ΔT	23	21	17	12	23	21	18	12	23	21	18	12	23	22	18	12	23	21	17	12	22	20	16	11
	kW	4.32	4.41	4.53	4.67	4.63	4.72	4.86	5.01	4.90	4.99	5.15	5.30	5.13	5.24	5.40	5.57	5.33	5.44	5.61	5.79	5.51	5.62	5.80	5.98
	Amps	20.1	20.5	21.0	21.5	21.3	21.7	22.2	22.8	22.7	23.1	23.7	24.3	23.8	24.3	24.9	25.6	25.0	25.5	26.2	26.9	26.2	26.7	27.4	28.2
	Hi PR	153	164	173	181	171	184	195	203	195	210	221	231	222	239	252	263	250	269	284	296	276	297	313	327
Lo PR	65	69	75	80	68	73	79	84	71	76	82	88	75	79	87	92	78	83	91	97	81	86	94	100	

Shaded area reflects ACCA (TVA) conditions IDB: Entering Indoor Dry Bulb Temperature kW = Total system power Amps = outdoor unit amps (comp.+fan)  
 High and low pressures are measured at the liquid and suction service valves.

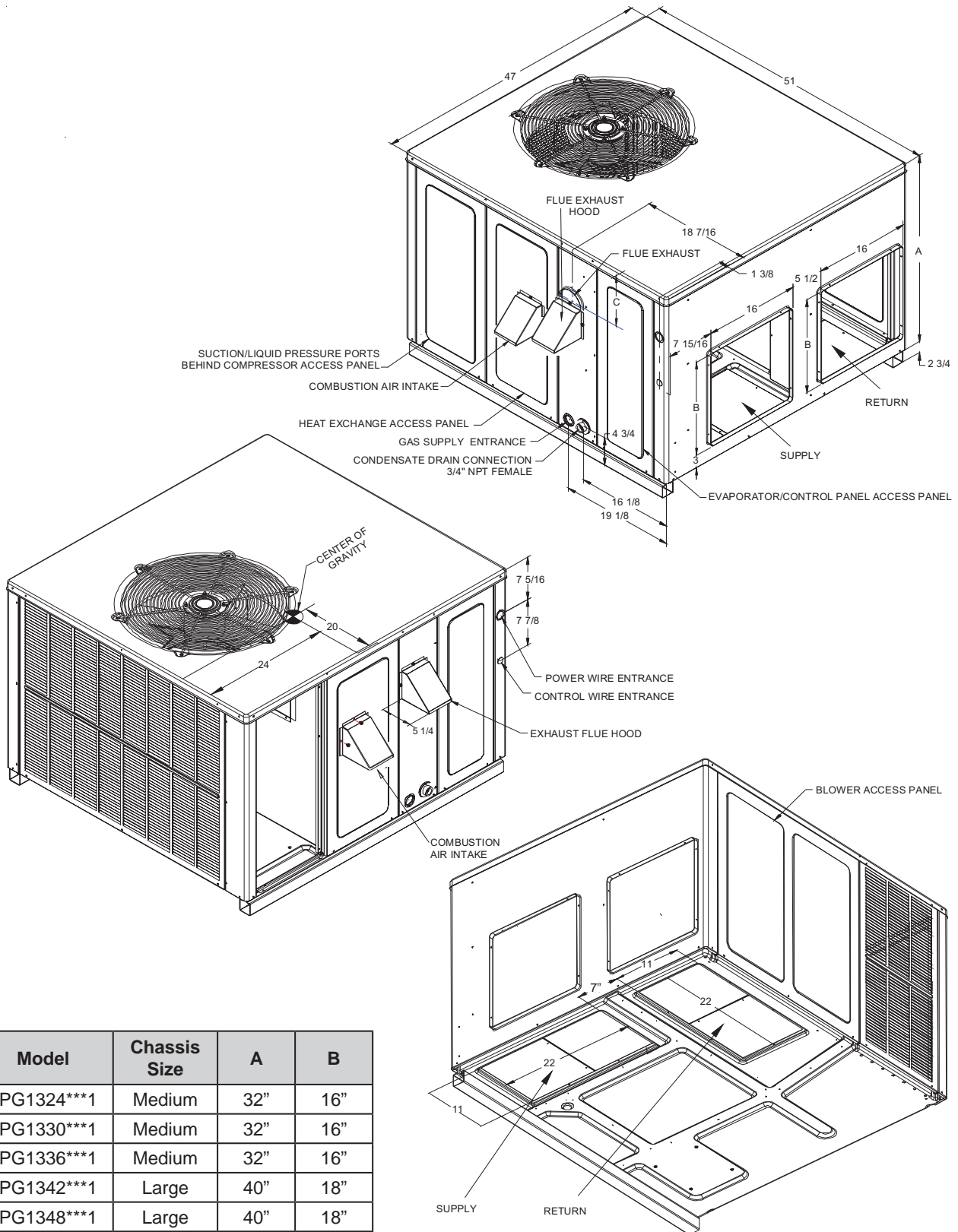
EXPANDED COOLING DATA — GPG1360\*\*\*1A — Two Stage (CONT.)

IDB	Airflow	Outdoor Ambient Temperature																								
		65°F				75°F				85°F				95°F				105°F				115°F				
		59	63	67	71	59	63	67	71	59	63	67	71	59	63	67	71	59	63	67	71	59	63	67	71	
80	1910	MBh	56.5	57.7	61.7	65.9	55.2	56.4	60.2	64.4	53.9	55.0	58.8	62.9	52.5	53.7	57.4	61.3	49.9	51.0	54.5	58.3	46.2	47.3	50.5	54.0
		S/T	0.91	0.86	0.70	0.52	0.95	0.89	0.72	0.54	0.97	0.91	0.74	0.55	1.00	0.94	0.76	0.57	1.00	0.98	0.79	0.59	1.00	0.98	0.80	0.60
	ΔT	25	24	21	17	25	24	21	17	25	24	21	17	25	24	21	17	24	24	21	17	22	22	19	16	
	kW	4.42	4.51	4.64	4.78	4.73	4.83	4.97	5.12	5.01	5.11	5.27	5.43	5.25	5.36	5.53	5.70	5.46	5.58	5.75	5.93	5.64	5.76	5.94	6.13	
	Amps	20.5	20.9	21.4	22.0	21.7	22.1	22.7	23.3	23.1	23.6	24.2	24.9	24.4	24.8	25.5	26.2	25.6	26.1	26.7	27.5	26.8	27.3	28.0	28.9	
	Hi PR	157	169	179	186	176	190	201	209	201	216	228	238	229	246	260	271	257	277	292	305	284	306	323	337	
	Lo PR	67	71	77	82	70	75	82	87	73	78	85	91	77	82	89	95	81	86	94	100	83	89	97	103	
	MBh	55.9	57.2	61.1	65.3	54.6	55.8	59.6	63.8	53.3	54.5	58.2	62.2	52.0	53.2	56.8	60.7	49.4	50.5	54.0	57.7	45.8	46.8	50.0	53.4	
	S/T	0.90	0.84	0.68	0.51	0.93	0.87	0.71	0.53	0.95	0.89	0.73	0.54	0.98	0.92	0.75	0.56	1.00	0.96	0.78	0.58	1.00	0.96	0.78	0.59	
	ΔT	25	24	21	17	26	25	21	17	26	25	21	17	26	25	22	17	25	25	21	17	23	23	20	16	
kW	4.41	4.50	4.63	4.76	4.72	4.82	4.96	5.11	5.00	5.10	5.25	5.42	5.24	5.35	5.51	5.69	5.45	5.56	5.73	5.92	5.63	5.75	5.93	6.11		
Amps	20.5	20.9	21.4	21.9	21.7	22.1	22.6	23.3	23.1	23.5	24.1	24.8	24.3	24.8	25.4	26.2	25.5	26.0	26.7	27.5	26.7	27.2	27.9	28.8		
Hi PR	157	169	178	186	176	189	200	209	200	215	227	237	228	245	259	270	256	276	291	304	283	305	322	336		
Lo PR	66	71	77	82	70	75	82	87	73	78	85	90	77	82	89	95	80	85	93	99	83	88	96	103		
1710	1910	MBh	55.1	56.3	60.1	64.3	53.8	55.0	58.7	62.8	52.5	53.7	57.3	61.3	51.2	52.4	55.9	59.8	48.7	49.7	53.2	56.8	45.1	46.1	49.2	52.6
		S/T	0.86	0.81	0.66	0.49	0.90	0.84	0.68	0.51	0.92	0.86	0.70	0.52	0.95	0.89	0.72	0.54	0.98	0.92	0.75	0.56	0.99	0.93	0.76	0.57
	ΔT	26	25	21	17	26	25	22	17	26	25	22	17	26	25	22	17	26	25	21	17	24	23	20	16	
	kW	4.36	4.44	4.57	4.70	4.66	4.75	4.90	5.04	4.93	5.03	5.19	5.35	5.17	5.28	5.44	5.61	5.38	5.49	5.66	5.84	5.55	5.67	5.84	6.03	
	Amps	20.3	20.6	21.1	21.7	21.5	21.8	22.4	23.0	22.8	23.2	23.8	24.5	24.0	24.5	25.1	25.8	25.2	25.7	26.3	27.1	26.4	26.9	27.6	28.4	
	Hi PR	154	166	175	183	173	186	197	205	197	212	224	233	224	241	255	266	252	271	286	299	278	300	316	330	
	Lo PR	65	69	76	81	69	73	80	85	72	76	83	89	75	80	87	93	79	84	92	98	82	87	95	101	
	MBh	57.5	58.6	61.4	65.5	56.1	57.2	59.9	63.9	54.8	55.9	58.5	62.4	53.5	54.5	57.1	60.9	50.8	51.8	54.2	57.9	47.1	48.0	50.2	53.6	
	S/T	0.96	0.92	0.83	0.68	0.99	0.96	0.86	0.70	1.00	0.98	0.89	0.72	1.00	1.00	0.91	0.74	1.00	1.00	0.95	0.77	1.00	1.00	0.96	0.78	
	ΔT	26	26	25	21	27	26	25	22	26	26	25	22	26	26	25	22	24	25	25	21	23	23	23	20	
kW	4.45	4.54	4.67	4.81	4.77	4.86	5.01	5.16	5.05	5.15	5.31	5.47	5.29	5.40	5.57	5.75	5.50	5.62	5.79	5.98	5.68	5.80	5.99	6.18		
Amps	20.7	21.0	21.5	22.1	21.9	22.3	22.8	23.5	23.3	23.7	24.3	25.0	24.5	25.0	25.6	26.4	25.7	26.2	26.9	27.7	26.9	27.5	28.2	29.1		
Hi PR	159	171	181	188	178	192	203	211	203	218	230	240	231	248	262	274	260	280	295	308	287	309	326	340		
Lo PR	67	72	78	83	71	76	83	88	74	79	86	91	78	83	90	96	81	87	94	101	84	90	98	104		
85	1810	MBh	56.9	58.0	60.8	64.8	55.6	56.7	59.3	63.3	54.3	55.3	57.9	61.8	52.9	54.0	56.5	60.3	50.3	51.3	53.7	57.3	46.6	47.5	49.7	53.1
		S/T	0.94	0.91	0.82	0.66	0.97	0.94	0.85	0.69	1.00	0.96	0.87	0.71	1.00	0.99	0.90	0.73	1.00	1.00	0.93	0.76	1.00	1.00	0.94	0.76
	ΔT	27	27	25	22	27	27	26	22	28	27	26	22	27	27	26	22	26	26	25	22	24	24	24	21	
	kW	4.44	4.53	4.66	4.80	4.76	4.85	5.00	5.15	5.04	5.14	5.30	5.46	5.28	5.39	5.56	5.73	5.49	5.61	5.78	5.96	5.67	5.79	5.97	6.16	
	Amps	20.6	21.0	21.5	22.1	21.9	22.2	22.8	23.4	23.3	23.7	24.3	25.0	24.5	24.9	25.6	26.3	25.7	26.2	26.9	27.7	26.9	27.4	28.2	29.0	
	Hi PR	158	170	180	188	178	191	202	211	202	218	230	240	230	248	262	273	259	279	294	307	286	308	325	339	
	Lo PR	67	71	78	83	71	75	82	88	74	78	86	91	77	82	90	96	81	86	94	100	84	89	97	104	
	MBh	56.1	57.1	59.8	63.8	54.8	55.8	58.5	62.4	53.4	54.5	57.1	60.9	52.1	53.2	55.7	59.4	49.5	50.5	52.9	56.4	45.9	46.8	49.0	52.3	
	S/T	0.91	0.87	0.79	0.64	0.94	0.91	0.82	0.66	0.96	0.93	0.84	0.68	0.99	0.96	0.87	0.70	1.00	0.99	0.90	0.73	1.00	1.00	0.91	0.73	
	ΔT	27	27	25	22	28	27	26	22	28	27	26	22	28	27	26	22	27	27	26	22	25	25	24	21	
kW	4.39	4.47	4.60	4.74	4.70	4.79	4.93	5.08	4.97	5.07	5.23	5.39	5.21	5.32	5.48	5.65	5.42	5.53	5.70	5.88	5.59	5.71	5.89	6.08		
Amps	20.4	20.8	21.3	21.8	21.6	22.0	22.5	23.2	23.0	23.4	24.0	24.7	24.2	24.6	25.3	26.0	25.4	25.9	26.5	27.3	26.6	27.1	27.8	28.6		
Hi PR	156	168	177	185	175	188	199	207	199	214	226	235	226	244	257	268	255	274	289	302	281	303	320	333		
Lo PR	66	70	77	82	70	74	81	86	72	77	84	90	76	81	88	94	80	85	93	99	82	88	96	102		

Shaded area reflects ARI conditions  
High and low pressures are measured at the liquid and suction service valves.

IDB: Entering Indoor Dry Bulb Temperature  
kW = Total system power  
Amps = outdoor unit amps (comp.+fan)

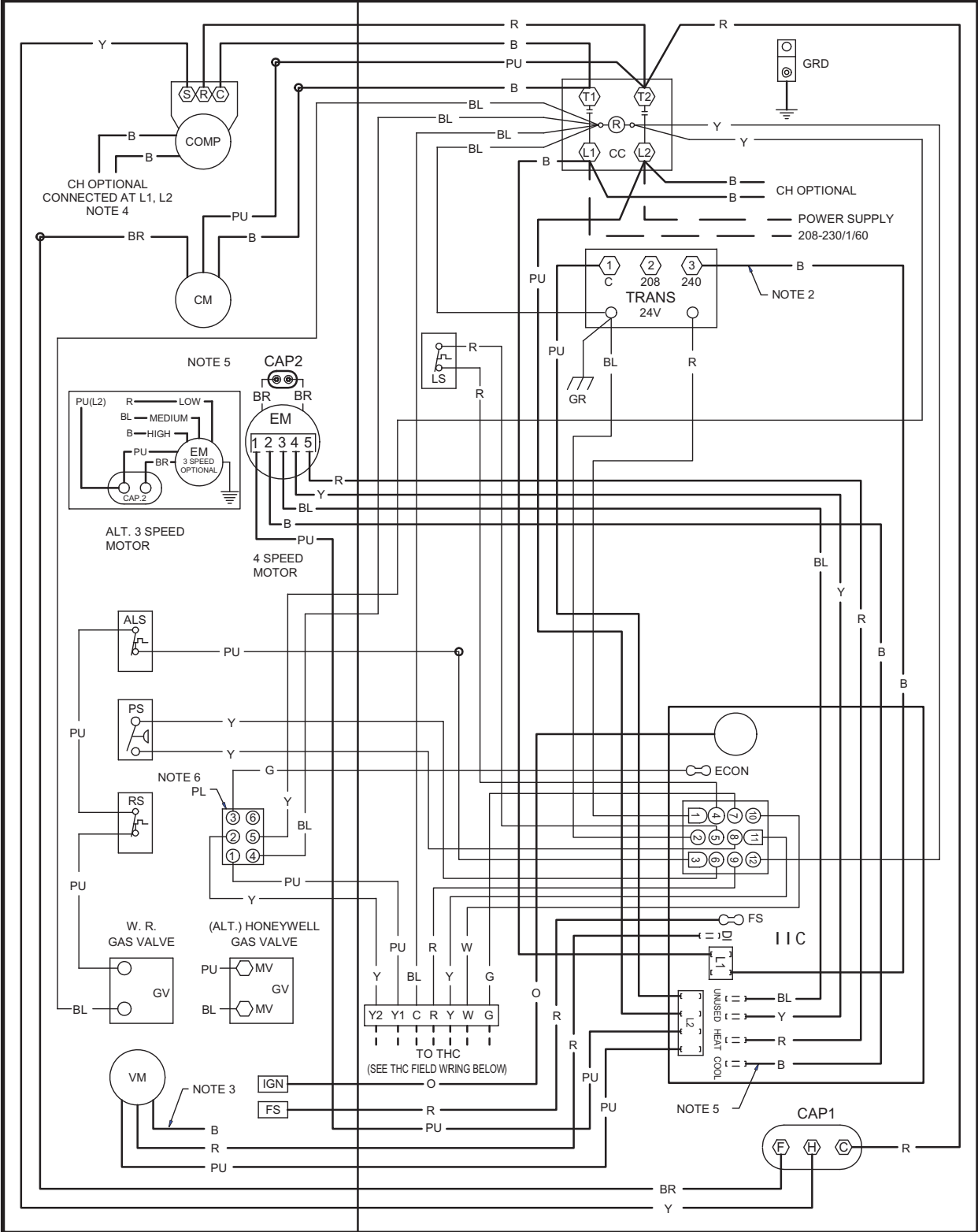
DIMENSIONS



Model	Chassis Size	A	B
GPG1324***1	Medium	32"	16"
GPG1330***1	Medium	32"	16"
GPG1336***1	Medium	32"	16"
GPG1342***1	Large	40"	18"
GPG1348***1	Large	40"	18"
GPG1360***1	Large	40"	18"



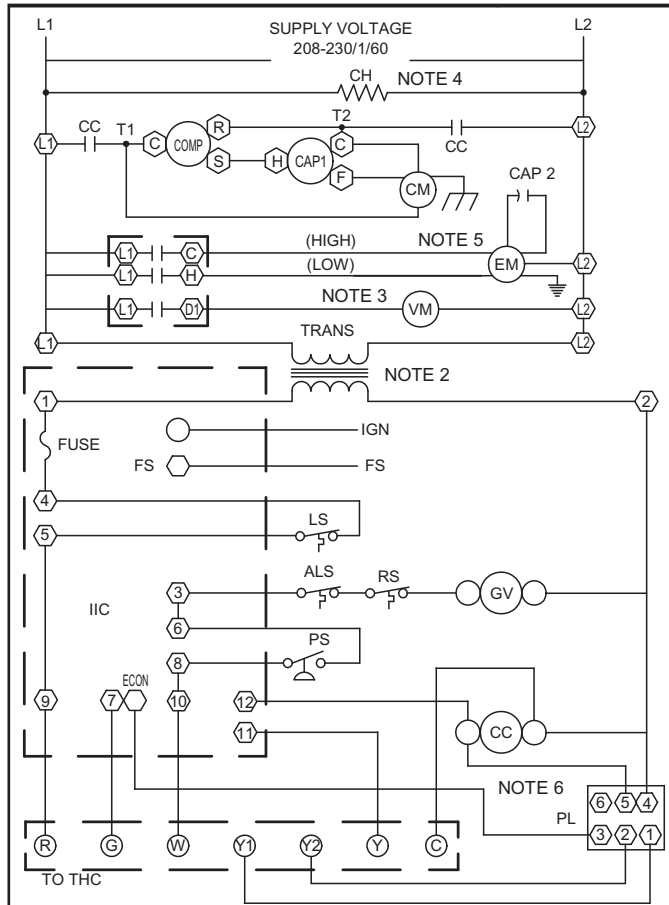
# WIRING DIAGRAM — GPG1324-42\*\*\*1A\*



Wiring is subject to change. Always refer to the wiring diagram on the unit for the most up-to-date schematic.

**WARNING** High Voltage: Disconnect all power before servicing or installing this unit. Multiple power sources may be present. Failure to do so may cause property damage, personal injury, or death.

# WIRING DIAGRAM — GPG1324-42\*\*\*1A\* (CONT.)



- COMPONENT LEGEND**
- ALS AUXILIARY LIMIT SWITCH
  - CAP CAPACITOR
  - COMP COMPRESSOR
  - CM CONDENSER MOTOR
  - CC CONTACTOR
  - CH CRANKCASE HEATER
  - EM EVAPORATOR MOTOR
  - FS FLAME SENSOR
  - GV GAS VALVE
  - IIC INTEGRATED IGNITION CONTROL
  - IGN IGNITOR
  - LS LIMIT SWITCH
  - PL PLUG
  - PS PRESSURE SWITCH
  - RS ROLLOUT SWITCH
  - THC THERMOSTAT HEAT & COOL
  - TRANS TRANSFORMER
  - VM VENT MOTOR
- WIRING**
- LINE VOLTAGE
  - LOW VOLTAGE
  - FIELD INSTALLED POWER
  - FIELD INSTALLED CONTROL
- WIRE CODE**
- B BLACK
  - BL BLUE
  - BR BROWN
  - G GREEN
  - O ORANGE
  - PK PINK
  - PU PURPLE
  - R RED
  - W WHITE
  - Y YELLOW

- NOTES**
- REPLACEMENT WIRE MUST BE THE SAME SIZE AND TYPE OF INSULATION AS ORIGINAL. (USE COPPER CONDUCTOR ONLY).
  - FOR 208 VOLT TRANSFORMER OPERATION MOVE BLACK WIRE FROM TERMINAL (3) TO TERMINAL (2) ON TRANSFORMER.
  - SOME MODELS HAVE VENT MOTORS EQUIPPED WITH A 230V LEAD (RED) AND A 208V (BLACK). IF EQUIPPED, CONNECT VENT MOTOR BLACK LEAD IN PLACE OF RED LEAD AT IIC (DI) FOR 208V OPERATION.
  - CRANKCASE HEATER (OPTIONAL).
  - FOR DIFFERENT THAN FACTORY SPEED TAP. CHANGE COOLING SPEED AT COOL TERMINAL (IIC). CHANGE HEATING SPEED AT HEAT TERMINAL (IIC)
- 4 SPEED MOTOR**
- B - HIGH SPEED
  - BL - MEDIUM HIGH SPEED
  - Y - MEDIUM LOW SPEED
  - R - LOW SPEED
- 3 SPEED MOTOR**
- B - HIGH SPEED
  - BL - MEDIUM SPEED
  - R - LOW SPEED
6. ACCESSORY ECONOMIZER PLUG (ON SELECT MODELS) ADJACENT TO BLOWER HOUSING IN RETURN AIR COMPARTMENT.

208-230/1/60

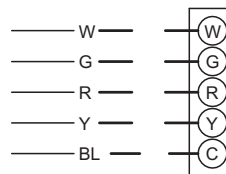
**INSTALLER/SERVICEMAN**

THE STATUS LIGHT ON THE FURNACE CONTROL MAY BE USED AS A GUIDE TO TROUBLESHOOTING THIS APPLIANCE. STATUS LIGHT CODES ARE AS FOLLOWS:

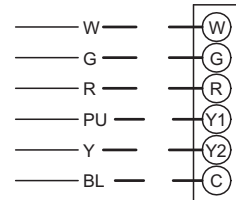
STATUS LIGHT	EQUIP. STATUS	CHECK
ON	NORMAL OPERATION	-
OFF	NO POWER OR INTERNAL CONTROL FAULT	CHECK INPUT POWER CHECK FUSE ON CONTROL REPLACE CONTROL
1 BLINK	IGNITION FAILURE OR OPEN ROLLOUT SWITCH OR OPEN AUX. LIMIT SWITCH	GAS FLOW GAS PRESSURE GAS VALVE FLAME SENSOR FLAME ROLLOUT BAD SWITCH AUX. LIMIT OPEN
2 BLINKS	PRESSURE SWITCH OPEN	CHECK PRESSURE SWITCH
3 BLINKS	PRESSURE SWITCH CLOSED WITHOUT INDUCER ON	CHECK PRESSURE SWITCH
4 BLINKS	OPEN LIMIT SWITCH	MAIN LIMIT OPEN BAD SWITCH
5 BLINKS	FALSE FLAME SENSED	STICKING GAS VALVE
6 BLINKS	COMPRESSOR OUTPUT DELAY	3 MIN. COMP. ANTI-CYCLE TIMER

**THC-FIELD WIRING**

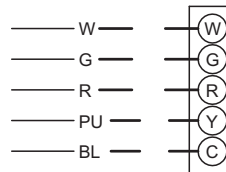
**THC-NO ECONOMIZER**



**2 STAGE COOLING**



**THC-WITH ECONOMIZER OPTION**



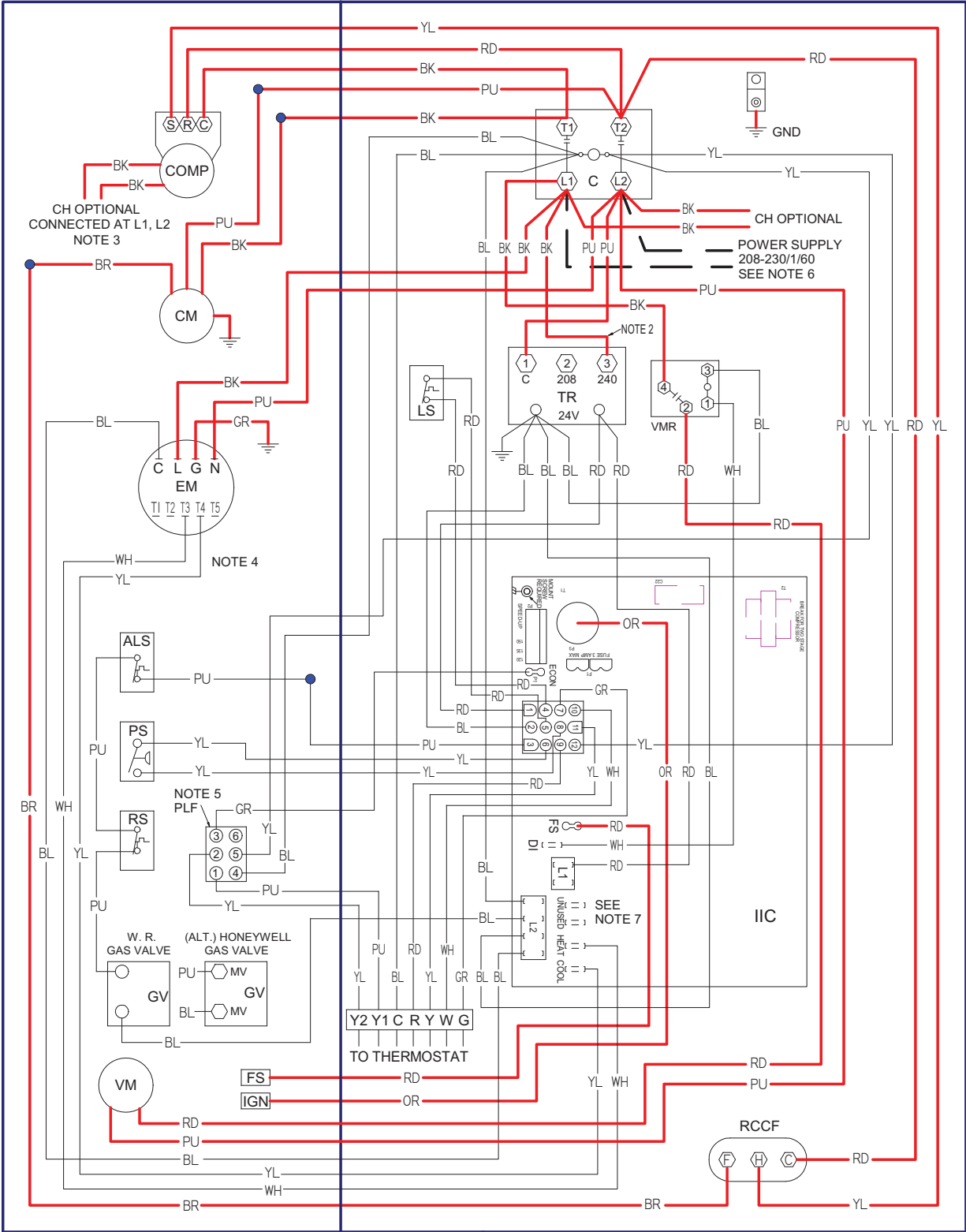
B4312003 REV B

Wiring is subject to change. Always refer to the wiring diagram on the unit for the most up-to-date schematic.

**WARNING**

**High Voltage:**  
Disconnect all power before servicing or installing this unit. Multiple power sources may be present. Failure to do so may cause property damage, personal injury, or death.

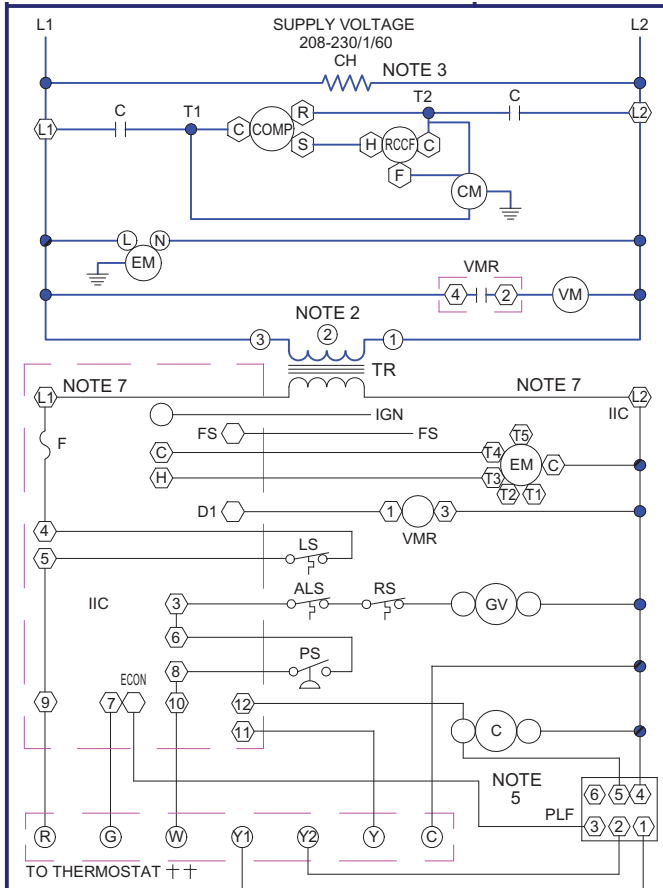
# WIRING DIAGRAM — GPG1330-48\*\*\*1AB/AC



Wiring is subject to change. Always refer to the wiring diagram on the unit for the most up-to-date schematic.

<p><b>WARNING</b></p>	<p><b>High Voltage:</b>          Disconnect all power before servicing or installing this unit. Multiple power sources may be present. Failure to do so may cause property damage, personal injury, or death.</p>	
-----------------------	---	--

# WIRING DIAGRAM — GPG1330-48\*\*\*1AB/AC (CONT.)



- COMPONENT LEGEND**
- AL AUXILLARY LIMIT SWITCH
  - S COMPRESSOR
  - COMP COMPRESSOR
  - CM CONDENSER MOTOR
  - C CONTACTOR
  - EH CRANKCASE HEATER
  - M EVAPORATOR MOTOR
  - F FUSE
  - FS FLAME SENSOR
  - GRN EQUIPMENT GROUND
  - V GAS VALVE
  - IC INTEGRATED IGNITION CONTROL
  - N R
  - LS LIMIT SWITCH
  - PLF FEMALE PLUG/CONNECTOR
  - PS PRESSURE SWITCH
  - RCCF RUN CAPACITOR FOR COMPRESSOR/FAN
  - RS ROLLOUT SWITCH
  - R R
  - VM VENT MOTOR
  - R VENT MOTOR RELAY
- FACTORY WIRING**
- LINE VOLTAGE
  - LOW VOLTAGE
  - - - OPTIONAL HIGH VOLTAGE
- FIELD WIRING**
- HIGH VOLTAGE
  - LOW VOLTAGE
- WIRE CODE**
- BK BLACK
  - BL BLUE
  - BR BROWN
  - GR GREEN
  - OR ORANGE
  - PK PINK
  - PU PURPLE
  - RD RED
  - WH WHITE
  - YL YELLOW

- NOTE**
1. REPLACEMENT WIRE MUST BE THE SAME SIZE AND TYPE OF INSULATION AS ORIGINAL. (USE COPPER CONDUCTOR ONLY).
  2. FOR 208 VOLT TRANSFORMER OPERATION MOVE BLACK WIRE FROM TERMINAL 3 TO TERMINAL 2 ON TRANSFORMER.
  3. CRANKCASE HEATER NOT SUPPLIED ON ALL UNITS.
  4. FOR DIFFERENT THAN FACTORY SPEED TAP. CHANGE COOLING SPEED AT MOTOR T4 AND T5 TERMINALS. CHANGE HEATING SPEED AT MOTOR T1, T2 AND T3 TERMINALS.
- |                                    |                                   |
|------------------------------------|-----------------------------------|
| <b>COOLING SPEED (YELLOW WIRE)</b> | <b>HEATING SPEED (WHITE WIRE)</b> |
| T4 - LOW SPEED                     | T1 - LOW SPEED                    |
| T5 - HIGH SPEED                    | T2 - MED. SPEED                   |
|                                    | T3 - HIGH SPEED                   |
5. ACCESSORY ECONOMIZER PLUG (ON SELECT MODELS) ADJACENT TO BLOWER HOUSING IN RETURN AIR COMPARTMENT.
  6. USE COOPER CONDUCTORS ONLY.  
++ USE NEC CLASS 2 WIRE.
  7. L1 AND L2 ON ICC CONTROL IS 24V INPUT.

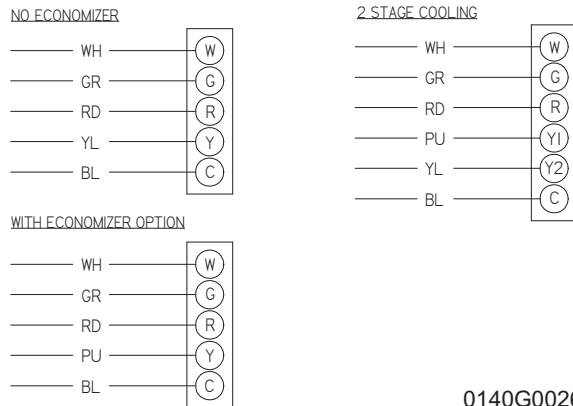
208-230/1/60

**INSTALLER/SERVICEMAN**

THE STATUS LIGHT ON THE FURNACE CONTROL MAY BE USED AS A GUIDE TO TROUBLESHOOTING THIS APPLIANCE. STATUS LIGHT CODES ARE AS FOLLOWS:

STATUS LIGHT	EQUIP. STATUS	CHECK
ON	NORMAL OPERATION	-
OFF	NO POWER OR INTERNAL CONTROL	CHECK INPUT POWER CHECK FUSE ON CONTROL REPLACE CONTROL
1 BLINK	IGNITION FAILURE R OPEN ROLLOUT SWITCH R OPEN AUX. LIMIT SWITCH	GAS FLOW GAS PRESSURE GAS VALVE FLAME SENSOR FLAME ROLLOUT BAD SWITCH AUX. LIMIT OPEN
2 BLINKS	PRESSURE SWITCH OPEN	CHECK PRESSURE SWITCH
3 BLINKS	PRESSURE SWITCH CLOSED WITHOUT INDUCER ON	CHECK PRESSURE SWITCH
4 BLINKS	OPEN LIMIT SWITCH	MAIN LIMIT OPEN BAD SWITCH
5 BLINKS	FALSE FLAME SENSED	STICKING GAS VALVE
6 BLINKS	COMPRESSOR OUTPUT DELAY	3 MIN. COMP. ANTI-CYCLE TIMER

**THERMOSTAT FIELD WIRING ++**



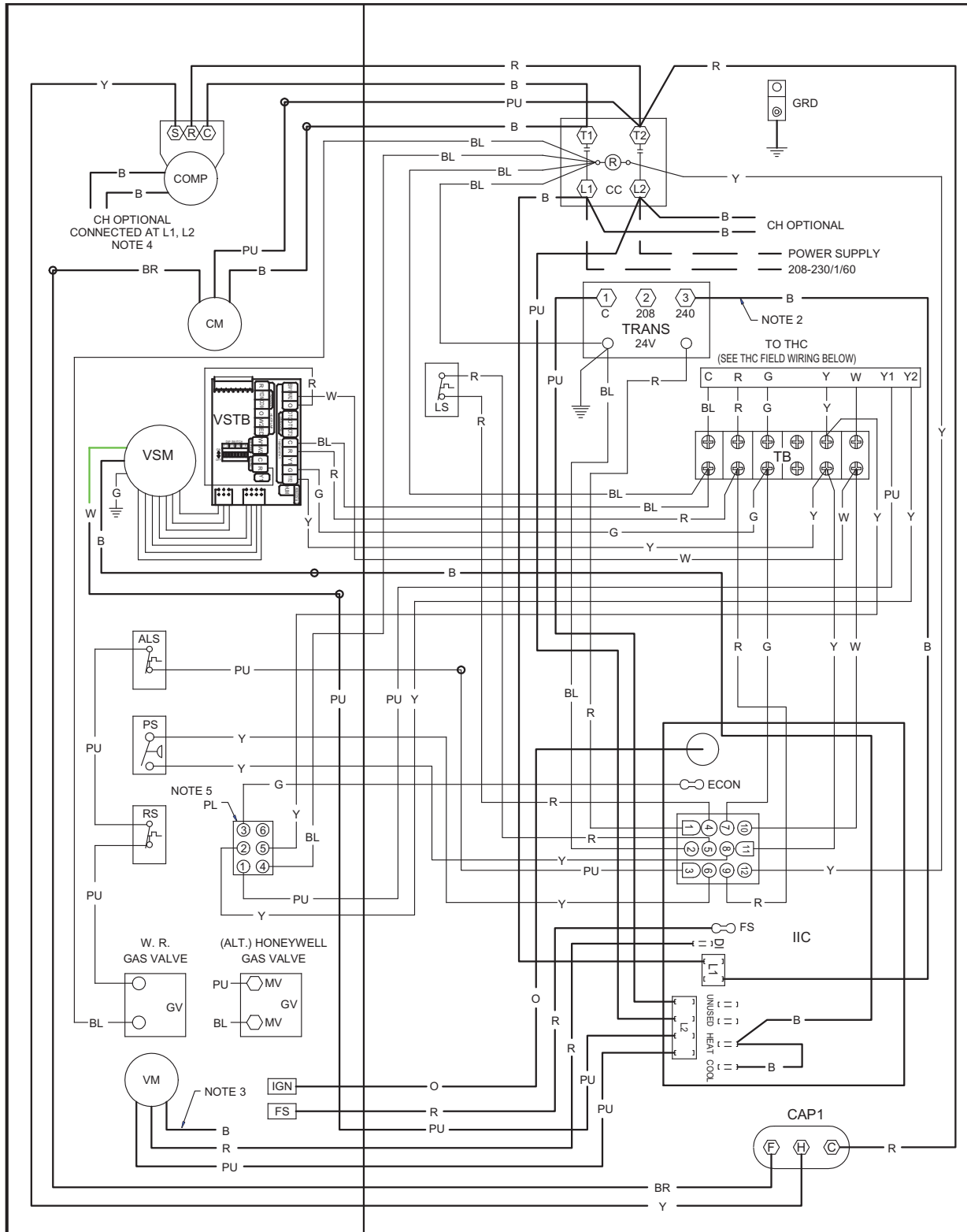
0140G00267

Wiring is subject to change. Always refer to the wiring diagram on the unit for the most up-to-date schematic.



**WARNING**

**High Voltage:**  
Disconnect all power before servicing or installing this unit. Multiple power sources may be present. Failure to do so may cause property damage, personal injury, or death.

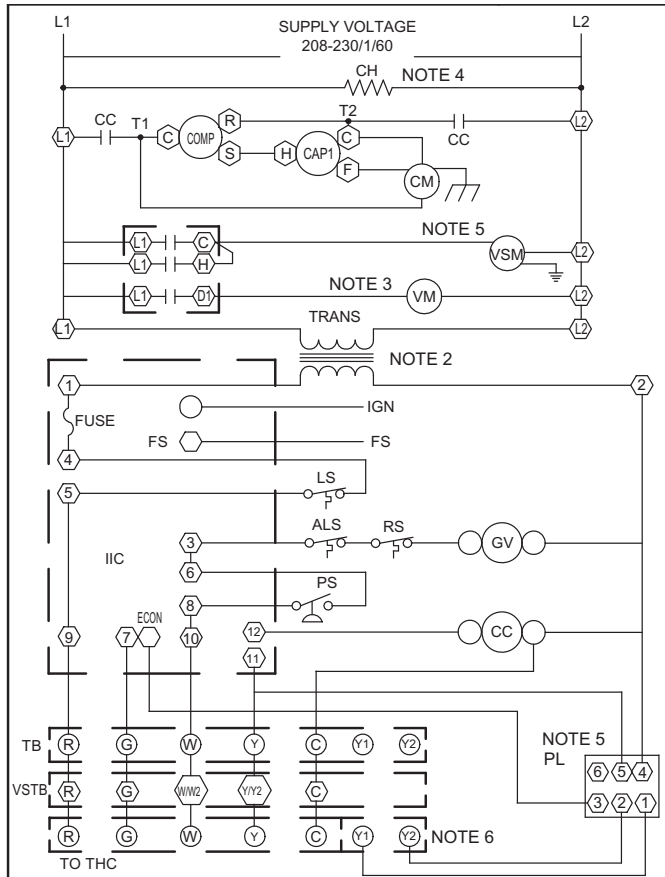
# WIRING DIAGRAM — GPG1348\*\*\*1A/AA



Wiring is subject to change. Always refer to the wiring diagram on the unit for the most up-to-date schematic.

 <b>WARNING</b>	<b>High Voltage:</b> Disconnect all power before servicing or installing this unit. Multiple power sources may be present. Failure to do so may cause property damage, personal injury, or death.	
--	--	---

# WIRING DIAGRAM — GPG1348\*\*\*1A/AA (CONT.)



- COMPONENT LEGEND**
- ALS AUXILLARY LIMIT SWITCH
  - CAP CAPACITOR
  - COMP COMPRESSOR
  - CM CONDENSER MOTOR
  - CC CONTACTOR
  - CH CRANKCASE HEATER
  - FS FLAME SENSOR
  - GV GAS VALVE
  - IIC INTEGRATED IGNITION CONTROL
  - IGN IGNITOR
  - LS LIMIT SWITCH
  - PL PLUG
  - PS PRESSURE SWITCH
  - RS ROLLOUT SWITCH
  - TB TERMINAL BLOCK
  - THC THERMOSTAT HEAT & COOL
  - TRANS TRANSFORMER
  - VM VENT MOTOR
  - VSM VAR. SPEED MOTOR
  - VSTB VARIABLE SPEED TERM. BLOCK
- WIRE CODE**
- B BLACK
  - BL BLUE
  - BR BROWN
  - G GREEN
  - O ORANGE
  - PK PINK
  - PU PURPLE
  - R RED
  - W WHITE
  - Y YELLOW
- WIRING**
- LINE VOLTAGE
  - LOW VOLTAGE
  - FIELD INSTALLED POWER
  - FIELD INSTALLED CONTROL
- WIRE SPICE** ●
- MARKED TERMINAL** ○
- UNMARKED TERMINAL** ○

- NOTES**
- REPLACEMENT WIRE MUST BE THE SAME SIZE AND TYPE OF INSULATION AS ORIGINAL.(USE COPPER CONDUCTOR ONLY).
  - FOR 208 VOLT TRANSFORMER OPERATION MOVE BLACK WIRE FROM TERMINAL ③ TO TERMINAL ② ON TRANSFORMER.
  - SOME MODELS HAVE VENT MOTORS EQUIPPED WITH A 230V LEAD (RED) AND A 208V (BLACK). IF EQUIPPED, CONNECT VENT MOTOR BLACK LEAD IN PLACE OF RED LEAD AT U1I (DI) FOR 208V OPERATION.
  - CRANKCASE HEATER (OPTIONAL).
  - ACCESSORY ECONOMIZER PLUG (ON SELECT MODELS) ADJACENT TO BLOWER HOUSING IN RETURN AIR COMPARTMENT.
  - TWO STAGE THERMOSTAT CONNECTIONS IF USED WITH ECONOMIZER OPTION INSTALLED.

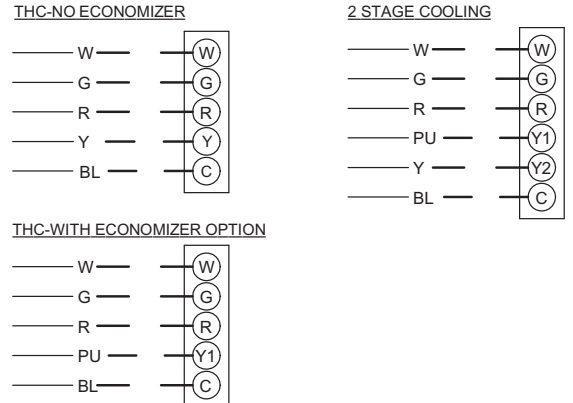
208-230/1/60

**INSTALLER/SERVICEMAN**

THE STATUS LIGHT ON THE FURNACE CONTROL MAY BE USED AS A GUIDE TO TROUBLESHOOTING THIS APPLIANCE. STATUS LIGHT CODES ARE AS FOLLOWS:

STATUS LIGHT	EQUIP. STATUS	CHECK
ON	NORMAL OPERATION	-
OFF	NO POWER OR INTERNAL CONTROL FAULT	CHECK INPUT POWER CHECK FUSE ON CONTROL REPLACE CONTROL
1 BLINK	IGNITION FAILURE OR OPEN ROLLOUT SWITCH OR OPEN AUX. LIMIT SWITCH	GAS FLOW GAS PRESSURE GAS VALVE FLAME SENSOR FLAME ROLLOUT BAD SWITCH AUX. LIMIT OPEN
2 BLINKS	PRESSURE SWITCH OPEN	CHECK PRESSURE SWITCH
3 BLINKS	PRESSURE SWITCH CLOSED WITHOUT INDUCER ON	CHECK PRESSURE SWITCH
4 BLINKS	OPEN LIMIT SWITCH	MAIN LIMIT OPEN BAD SWITCH
5 BLINKS	FALSE FLAME SENSED	STICKING GAS VALVE
6 BLINKS	COMPRESSOR OUTPUT DELAY	3 MIN. COMP. ANTI-CYCLE TIMER

**THC-FIELD WIRING**

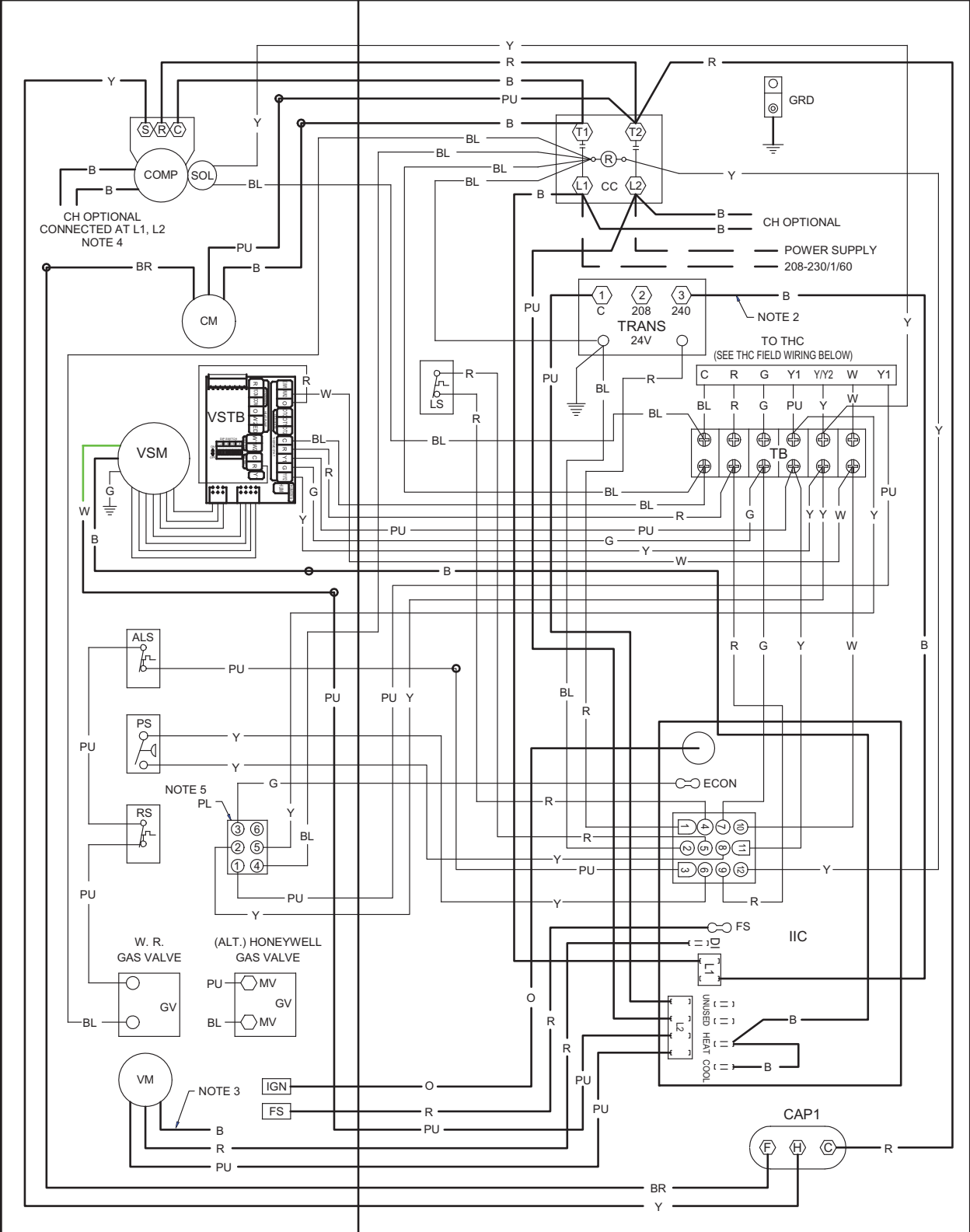


B4312004

Wiring is subject to change. Always refer to the wiring diagram on the unit for the most up-to-date schematic.

**WARNING** High Voltage: Disconnect all power before servicing or installing this unit. Multiple power sources may be present. Failure to do so may cause property damage, personal injury, or death.

# WIRING DIAGRAM — GPG1360\*\*\*1A/AA



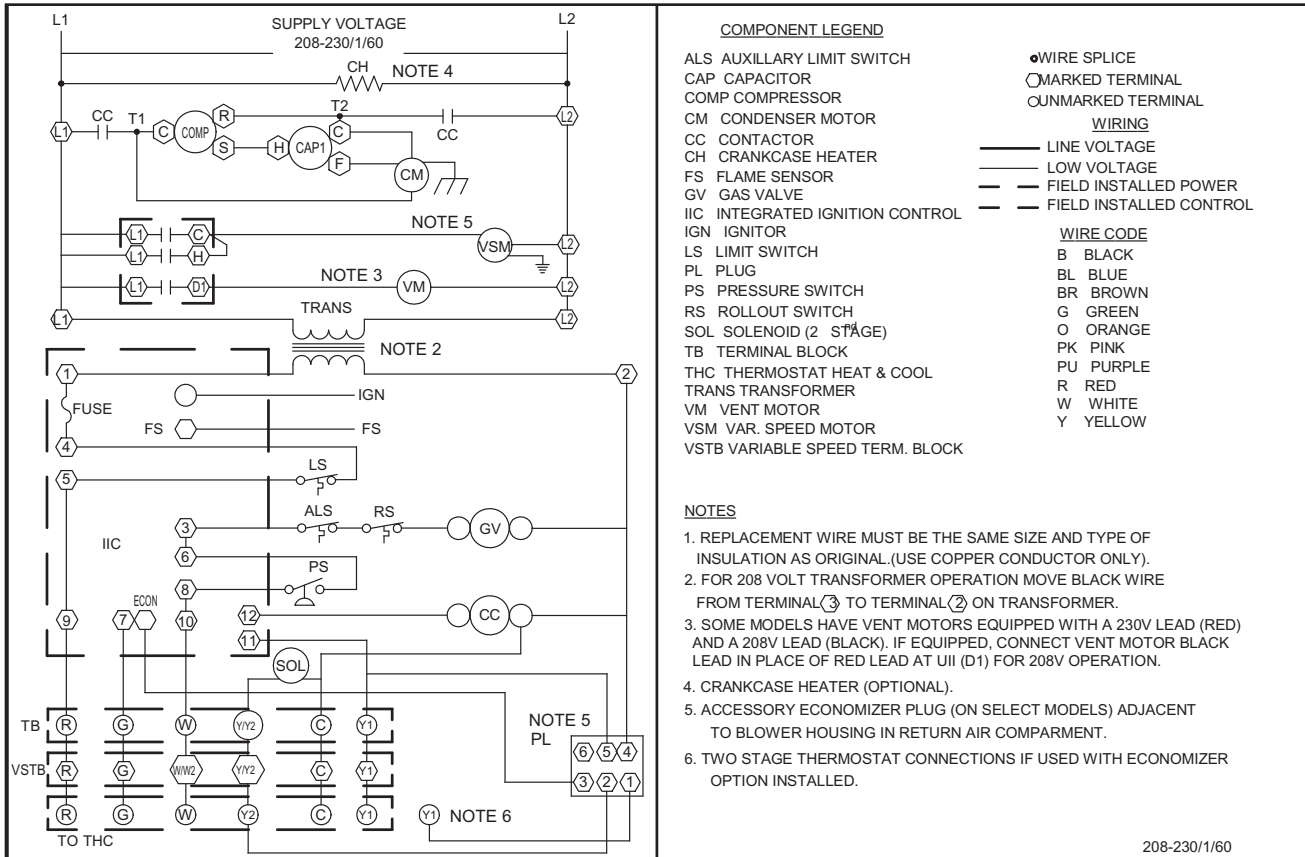
Wiring is subject to change. Always refer to the wiring diagram on the unit for the most up-to-date schematic.

**WARNING**

**High Voltage:**  
 Disconnect all power before servicing or installing this unit. Multiple power sources may be present. Failure to do so may cause property damage, personal injury, or death.



# WIRING DIAGRAM — GPG1360\*\*\*1A/AA (CONT.)



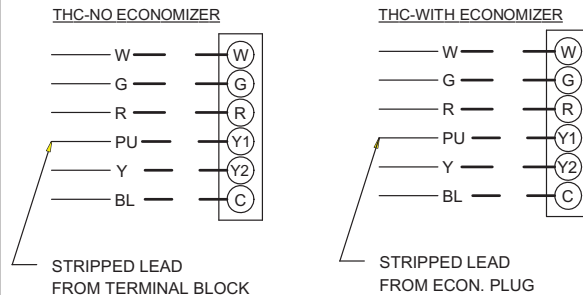
208-230/1/60

### INSTALLER/SERVICEMAN

THE STATUS LIGHT ON THE FURNACE CONTROL MAY BE USED AS A GUIDE TO TROUBLESHOOTING THIS APPLIANCE. STATUS LIGHT CODES ARE AS FOLLOWS:

STATUS LIGHT	EQUIP. STATUS	CHECK
ON	NORMAL OPERATION	-
OFF	NO POWER OR INTERNAL CONTROL FAULT	CHECK INPUT POWER CHECK FUSE ON CONTROL REPLACE CONTROL
1 BLINK	IGNITION FAILURE OR OPEN ROLLOUT SWITCH OR OPEN AUX. LIMIT SWITCH	GAS FLOW GAS PRESSURE GAS VALVE FLAME SENSOR FLAME ROLLOUT BAD SWITCH AUX. LIMIT OPEN
2 BLINKS	PRESSURE SWITCH OPEN	CHECK PRESSURE SWITCH
3 BLINKS	PRESSURE SWITCH CLOSED WITHOUT INDUCER ON	CHECK PRESSURE SWITCH
4 BLINKS	OPEN LIMIT SWITCH	MAIN LIMIT OPEN BAD SWITCH
5 BLINKS	FALSE FLAME SENSED	STICKING GAS VALVE
6 BLINKS	COMPRESSOR OUTPUT DELAY	3 MIN. COMP. ANTI-CYCLE TIMER

### THC-FIELD WIRING



B4312005

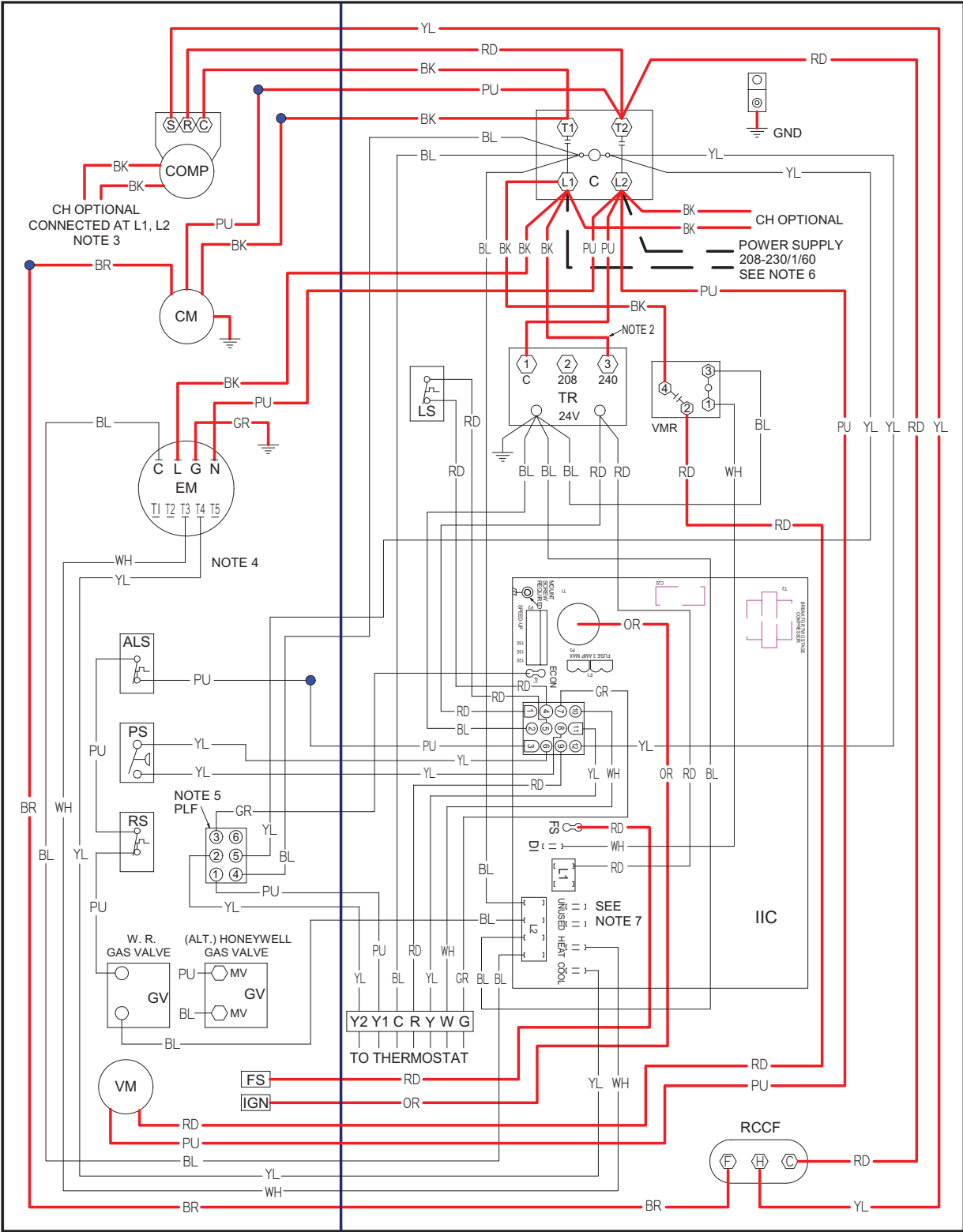
Wiring is subject to change. Always refer to the wiring diagram on the unit for the most up-to-date schematic.

**WARNING**

**High Voltage:**  
Disconnect all power before servicing or installing this unit. Multiple power sources may be present. Failure to do so may cause property damage, personal injury, or death.



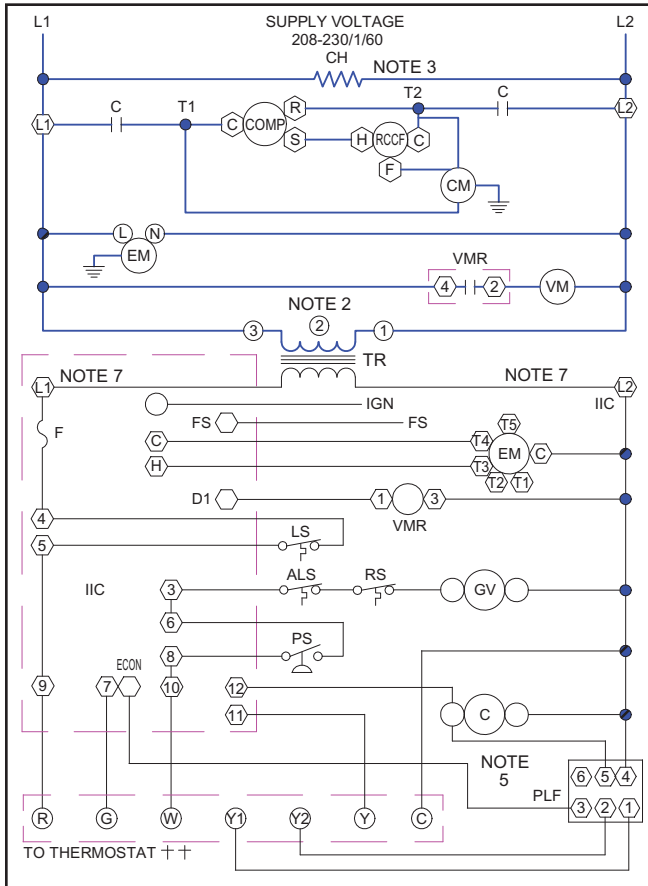
# WIRING DIAGRAM — GPG1360\*\*\*1BA/BB



Wiring is subject to change. Always refer to the wiring diagram on the unit for the most up-to-date schematic.

 <b>WARNING</b>	<b>High Voltage:</b> Disconnect all power before servicing or installing this unit. Multiple power sources may be present. Failure to do so may cause property damage, personal injury, or death.	
--	--	---

# WIRING DIAGRAM — GPG1360\*\*\*1BA/BB (CONT.)



- COMPONENT LEGEND**
- AL AUXILLARY LIMIT SWITCH
  - COMP COMPRESSOR
  - CM CONDENSER MOTOR
  - C CONTACTOR
  - EH CRANKCASE HEATER
  - M EVAPORATOR MOTOR
  - F FUSE
  - FS FLAME SENSOR
  - IGS INTEGRATED IGNITION CONTROL
  - N R
  - LS LIMIT SWITCH
  - PLF FEMALE PLUG/CONNECTOR
  - PS PRESSURE SWITCH
  - RCCF RUN CAPACITOR FOR COMPRESSOR/FAN
  - RS ROLLOUT SWITCH
  - R R
  - VM VENT MOTOR
  - R VENT MOTOR RELAY
- FACTORY WIRING**
- LINE VOLTAGE
  - LOW VOLTAGE
  - - - OPTIONAL HIGH VOLTAGE
- FIELD WIRING**
- HIGH VOLTAGE
  - - - LOW VOLTAGE
- WIRE CODE**
- BK BLACK
  - BL BLUE
  - BR BROWN
  - GR GREEN
  - OR ORANGE
  - PK PINK
  - PU PURPLE
  - RD RED
  - WH WHITE
  - YL YELLOW

- NOTE**
1. REPLACEMENT WIRE MUST BE THE SAME SIZE AND TYPE OF INSULATION AS ORIGINAL. (USE COPPER CONDUCTOR ONLY).
  2. FOR 208 VOLT TRANSFORMER OPERATION MOVE BLACK WIRE FROM TERMINAL 3 TO TERMINAL 2 ON TRANSFORMER.
  3. CRANKCASE HEATER NOT SUPPLIED ON ALL UNITS.
  4. FOR DIFFERENT THAN FACTORY SPEED TAP. CHANGE COOLING SPEED AT MOTOR T4 AND T5 TERMINALS. CHANGE HEATING SPEED AT MOTOR T1, T2 AND T3 TERMINALS.
- |                                    |                                   |
|------------------------------------|-----------------------------------|
| <b>COOLING SPEED (YELLOW WIRE)</b> | <b>HEATING SPEED (WHITE WIRE)</b> |
| T4 - LOW SPEED                     | T1 - LOW SPEED                    |
| T5 - HIGH SPEED                    | T2 - MED. SPEED                   |
|                                    | T3 - HIGH SPEED                   |
5. ACCESSORY ECONOMIZER PLUG (ON SELECT MODELS) ADJACENT TO BLOWER HOUSING IN RETURN AIR COMPARTMENT.
  6. USE COOPER CONDUCTORS ONLY.  
++ USE NEC CLASS 2 WIRE.
  7. L1 AND L2 ON ICC CONTROL IS 24V INPUT.

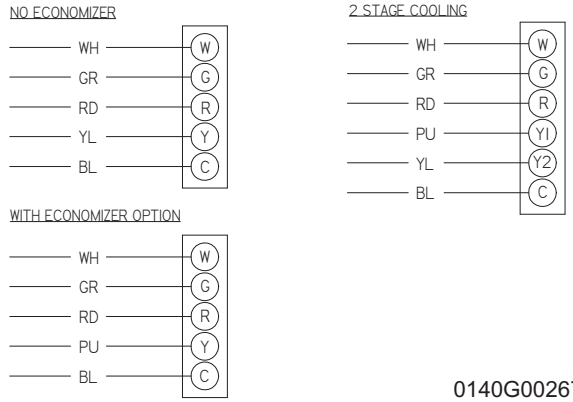
208-230/1/60

**INSTALLER/SERVICEMAN**

THE STATUS LIGHT ON THE FURNACE CONTROL MAY BE USED AS A GUIDE TO TROUBLESHOOTING THIS APPLIANCE. STATUS LIGHT CODES ARE AS FOLLOWS:

STATUS LIGHT	EQUIP. STATUS	CHECK
ON	NORMAL OPERATION	-
OFF	NO POWER OR INTERNAL CONTROL	CHECK INPUT POWER CHECK FUSE ON CONTROL REPLACE CONTROL
1 BLINK	IGNITION FAILURE R OPEN ROLLOUT SWITCH R OPEN AUX. LIMIT SWITCH	GAS FLOW GAS PRESSURE GAS VALVE FLAME SENSOR FLAME ROLLOUT BAD SWITCH AUX. LIMIT OPEN
2 BLINKS	PRESSURE SWITCH OPEN	CHECK PRESSURE SWITCH
3 BLINKS	PRESSURE SWITCH CLOSED WITHOUT INDUCER ON	CHECK PRESSURE SWITCH
4 BLINKS	OPEN LIMIT SWITCH	MAIN LIMIT OPEN BAD SWITCH
5 BLINKS	FALSE FLAME SENSED	STICKING GAS VALVE
6 BLINKS	COMPRESSOR OUTPUT DELAY	3 MIN. COMP. ANTI-CYCLE TIMER

**THERMOSTAT FIELD WIRING ++**



0140G00267

Wiring is subject to change. Always refer to the wiring diagram on the unit for the most up-to-date schematic.

<p><b>WARNING</b></p>	<p><b>High Voltage:</b> Disconnect all power before servicing or installing this unit. Multiple power sources may be present. Failure to do so may cause property damage, personal injury, or death.</p>	
-----------------------	--	--

## ACCESSORIES

Description	Part Numbers		
	Small Chassis	Medium Chassis	Large Chassis
Concentric Converter	CDK1-2	CDK1-2	CDK3
Horizontal Duct Cover	---	20464501PDGK	20464502PDGK
Downflow Economizer	PGED101	PGED102	PGED103
Horizontal Economizer	PGEH101	PGEH102	PGEH103
Filter Rack	PGFR101	PGFR102	PGFR103
Downflow Manual Damper	PGMDD101	PGMDD102	PGMDD103
Downflow Motorized Damper	PGMDMD 101	PGMDMD102	PGMDMD 103
Horizontal Manual Damper	PGMDH101	PGMDH102	PGMDH103
Horizontal Motorized Damper	PGMDMH101	PGMDMH102	PGMDMH 103
Roof Curb	PGC101	PGC102	PGC103
Downflow Square-to-Round	SQRPG101	SQRPG102	SQRPG103
Horizontal Square-to-Round	SQRPGH101	SQRPGH102	SQRPGH103
The above accessories are offered by McDaniel Metals • Main: (281) 987-8400 • Fax: (281) 987-9494			
LPT-00A	L.P. Conversion Kit for all size chassis		

## THERMOSTATS

Part Number	Description
CHSATG	White, 1-Stage Heating/1-Stage Cooling, Non-programmable
CH70TG	White, 1-Stage Heating/1-Stage Cooling, Non-programmable, Digital
CHTS36-60	Beige, 1-Stage Heating/2-Stage Cooling
1213423	White, 2-Stage Heating/2-Stage Cooling, Digital

## PRODUCT SPECIFICATIONS

## NOTES

