



Air Conditioning & Heating

PRODUCT SPECIFICATIONS



13 & 10 SEER
80% AFUE

COOLING CAPACITIES: 35,000 TO 56,000 BTU/H

HEATING CAPACITIES: 92,000 TO 138,000 BTU/H



GPG COMMERCIAL

3, 4, & 5 Ton, 3-Phase
SELF-CONTAINED PACKAGED GAS/ELECTRIC

The Goodman® GPG Commercial Packaged Gas/Electric 10 & 13 SEER units feature energy-efficient cooling and heating performance in one self-contained unit. These units are housed in heavy-gauge, galvanized-steel cabinets with a high-quality, UV-resistant powder-paint finish. GPG Commercial units allow for a ground-level or rooftop mount and horizontal or downflow applications.

Standard Features

- Energy-efficient compressor with internal relief valve
- EEM blower motor; PSC blower motor on 3-ton units
- Copper tube/aluminum fin coils
- Fully charged R-22 system
- Redundant gas valve for natural gas with easy conversion to propane
- Durable, corrosion-resistant aluminized-steel tubular heat exchanger
- Direct-spark ignition system includes a microprocessor-based control for the entire ignition sequence
- All blower operation and all safety circuits complete with self-diagnostics
- All models comply with California NOx standards
- ARI Certified; ETL Listed

Cabinet Features

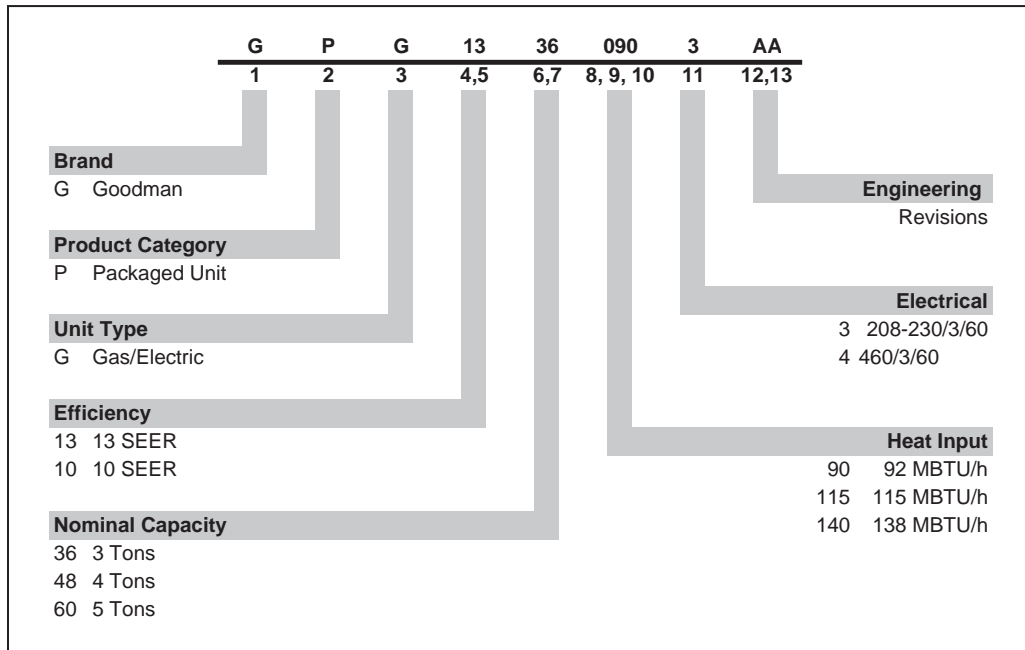
- Heavy-gauge, galvanized-steel cabinet with UV-resistant powder-paint finish
- Fully insulated cabinet
- One roof curb fits all units
- One footprint; one height
- Convenient access panels
- Fits in a standard-size pick-up truck

Contents

Nomenclature.....	2
Accessories	2
Product Specifications.....	3
Evaporator Blower Specs.....	6
Expanded Cooling Data.....	8
Dimensions.....	20
Wiring Diagrams	21



NOMENCLATURE



ACCESSORIES

Model	Description
LPT-00A	LP Conversion Kit
PGC103	Roof Curb for Large Chassis ¹
PGED103	Downflow Economizer for Large Chassis
PGEH103	Horizontal Economizer for Large Chassis
PGFR103	Internal Filter Rack for Large Chassis
PGMDD103	Manual 25% Fresh Air Damper — Downflow Application for Large Chassis
PGMDH103	Manual 25% Fresh Air Damper — Horizontal Application for Large Chassis
PGMDMD103	Motorized 25% Fresh Air Damper — Downflow Application for Large Chassis
PGMDMH103	Motorized 25% Fresh Air Damper — Horizontal Application for Large Chassis
SQRPG103	Square-to-Round Adapter with 18" Round — Downflow Application for Large Chassis
SQRPGH103	Square-to-Round Adapter with 18" Round — Horizontal Application for Large Chassis

¹ All GPG Commercial units are housed in the large chassis.
Offered by McDaniel Metals • Main: (281) 987-8400 • Fax: (281) 987-9494

GPG13 COMMERCIAL SPECIFICATIONS

	GPG13 360903A	GPG13 480903A	GPG13 600903A	GPG13 601403A
Cooling Capacity (BTU/h)				
Total	35,000	47,000	56,500	56,500
Sensible	26,200	36,600	42,800	42,800
SEER / EERa	13.0 / 11.0	13.0 / 11.3	13.0 / 10.8	13.0 / 10.8
Heating Capacity (BTU/h)				
Input	92,000	92,000	92,000	138,000
Output	72,900	72,900	72,000	110,200
AFUE	80.0	80.0	80.0	80.0
Decibels	76.0	76.0	76.0	76.0
Evaporator Motor				
Type	DD	X-13	X-13	X-13
Wheel (DxW)	10" x 10"	11" x 10"	11" x 10"	11" x 10"
Indoor Nominal CFM	1,200	1,510	1810	1810
Motor Speed Tap (Cooling)	Med	T4	T4	T4
Temperature Rise Range	45 - 75	45 - 75	45 - 75	45 - 75
No. of Burners	4	4	4	6
Orifice Size (Natural/Propane)	43" / 55"	43" / 55"	43" / 55"	43" / 55"
Horsepower-RPM	1/3 / 1,080	3/4 / 1,050	1 / 1,050	1 / 1,050
Evaporator Coil				
Face Area (ft ²)	5.67	5.67	5.67	5.67
Rows Deep/Fin per Inch	3 / 14	4 / 14	4 / 14	4 / 14
Piston Size (Cooling)	0.071"	0.080"	TXV	TXV
Filter Size (ft ²)	4.2	5.1	6.3	6.3
Drain Size (NPT)	3/4"	3/4"	3/4"	3/4"
Refrigerant Charge (oz.)	107	145	164	164
Condenser Fan/ Coil				
Horsepower - RPM	1/4 -1,075	1/3 -1,075	1/3 -1,075	1/3 -1,075
Fan Diameter/# of Fan Blades	22" - 3	22" - 4	22" - 4	22" - 4
Outdoor Nominal CFM	2,700	3,500	3,500	3,500
Face Area (ft ²)	15.3	15.3	15.3	15.3
Row Deep/Fin per Inch	1 / 19	2 / 16	2 / 16	2 / 16
Electrical Data				
Voltage/Phase/Frequency	208-230/3/60			
Compressor RLA/LRA	9.6 / 63	12.4 / 88	15.0 / 123	15.0 / 123
Indoor Blower FLA/LRA	3 / 4.5	6.0 / 8.0	7.6 / 9.2	7.6 / 9.2
Outdoor Fan RLA/LRA	1.8 / 3.8	2.4 / 5.2	2.4 / 5.2	2.4 / 5.2
Total Unit Amps	10.6	14.3	18.5	18.5
Min. Circuit Ampacity ¹	16.8	23.5	28.7	28.7
Max. Overcurrent Protection ²	25 amps	30 amps	40 amps	40 amps
Entrance Size Power Supply	1 1/8"	1 1/8"	1 1/8"	1 1/8"
Entrance Size Control Voltage	7/8"	7/8"	7/8"	7/8"
Operating Weight (lbs)	453	523	533	543
Ship Weight (lbs)	475	545	555	565

¹ Wire size should be determined in accordance with National Electrical Codes. Extensive wire runs will require larger wire sizes.

² Must use time-delay fuses or HACR-type circuit breakers of the same size as noted.

Note: Always check the S&R plate for electrical data on the unit being installed.

GPG13 COMMERCIAL SPECIFICATIONS (CONT.)

	GPG13 360904A	GPG13 480904A	GPG13 600904A	GPG13 601404A
Cooling Capacity (BTU/h)				
Total	35,000	47,000	56,500	56,500
Sensible	26,200	36,600	42,800	42,800
SEER / EERa	13.0 / 11.0	13.0 / 11.3	13.0 / 10.8	13.0 / 10.8
Heating Capacity (BTU/h)				
Input	92,000	92,000	92,000	138,000
Output	72,900	72,900	72,000	110,200
AFUE	80.0	80.0	80.0	80.0
Decibels	76.0	76.0	76.0	76.0
Evaporator Motor				
Type	DD	X-13	X-13	X-13
Wheel (DxW)	10" x 10"	11" x 10"	11" x 10"	11" x 10"
Indoor Nominal CFM	1,200	1,510	1810	1810
Motor Speed Tap (Cooling)	High	T4	T4	T4
Temperature Rise Range	45 - 75	45 - 75	45 - 75	45 - 75
No. of Burners	4	4	4	6
Orifice Size (Natural/Propane)	43" / 55"	43" / 55"	43" / 55"	43" / 55"
Horsepower-RPM	1/3 / 1,075	3/4 / 1,050	1 / 1,050	1 / 1,050
Evaporator Coil				
Face Area (ft ²)	5.67	5.67	5.67	5.67
Rows Deep/Fin per Inch	3 / 14	4 / 14	4 / 14	4 / 14
Piston Size (Cooling)	0.071"	0.080"	TXV	TXV
Filter Size (ft ²)	4.2	5.1	6.3	6.3
Drain Size (NPT)	3/4"	3/4"	3/4"	3/4"
Refrigerant Charge (oz.)	107	145	164	164
Condenser Fan/ Coil				
Horsepower - RPM	1/4 -1,050	1/3 -1,075	1/3 -1,075	1/3 -1,075
Fan Diameter/# of Fan Blades	22" - 3	22" - 4	22" - 4	22" - 4
Outdoor Nominal CFM	2,700	3,500	3,500	3,500
Face Area (ft ²)	15.3	15.3	15.3	15.3
Row Deep/Fin per Inch	1 / 19	2 / 16	2 / 16	2 / 16
Electrical Data				
Voltage/Phase/Frequency	460/3/60			
Compressor RLA/LRA	4.5 / 31	5.7 / 44	6.7 / 49.5	6.7 / 49.5
Indoor Blower FLA/LRA	1.2 / 3.0	6.0 / 8.0	7.6 / 9.2	7.6 / 9.2
Outdoor Fan RLA/LRA	0.8 / 1.6	1.2 / 2.6	1.2 / 2.6	1.2 / 2.6
Total Unit Amps	4.8	8.6	11.5	11.5
Min. Circuit Ampacity ¹	7.6	14.5	17.1	17.1
Max. Overcurrent Protection ²	10 amps	20 amps	20 amps	20 amps
Entrance Size Power Supply	1 1/8"	1 1/8"	1 1/8"	1 1/8"
Entrance Size Control Voltage	7/8"	7/8"	7/8"	7/8"
Operating Weight (lbs)	453	548	558	568
Ship Weight (lbs)	475	570	580	590

¹ Wire size should be determined in accordance with National Electrical Codes. Extensive wire runs will require larger wire sizes.

² Must use time-delay fuses or HACR-type circuit breakers of the same size as noted.

Note: Always check the S&R plate for electrical data on the unit being installed.

GPG10 COMMERCIAL SPECIFICATIONS

	GPG10 360903A	GPG10 480903A	GPG10 600903A	GPG10 601403A	GPG10 601404A
Cooling Capacity					
Total BTU/h	35,200	47,000	56,000	56,000	56,000
Sensible BTU/h	27,400	36,200	43,600	43,600	43,600
SEER / EER	10 / 9.3	10 / 9.1	10 / 9.0	10 / 9.0	10 / 9.0
Heating Capacity					
Input BTU/h	92,000	92,000	92,000	138,000	138,000
Output BUTH	72,900	72,900	72,900	110,200	110,200
AFUE	82.6%	82.6%	82.6%	83.1%	83.1%
Decibels	76.0	76.0	76.0	76.0	76.0
Evaporator Motor					
Type	DD	DD	DD	DD	DD
Wheel (D x W)	11" X 10"	11" X 10"	11" X 10"	11" X 10"	11" X 10"
Indoor Nominal CFM	1,250	1,525	1,950	1,950	1,950
Temperature Rise Range (°F)	45 - 75	45 - 75	45 - 75	45 - 75	45 - 75
No. of Burners	4	4	4	6	6
Orifice Size (Natural/Propane)	43" / 55"	43" / 55"	43" / 55"	43" / 55"	43" / 55"
Motor Speed Tap (Cooling)	Medium	Medium	High	High	High
Horsepower - RPM	¾ -1,100	¾ -1,100	¾ -1,100	¾ -1,100	¾ -1,100
Evaporator Coil					
Face Area (ft²)	5.67	5.67	5.67	5.67	5.67
Rows Deep/ Fins per inch	2 / 14	4 / 14	4 / 14	4 / 14	4 / 14
Piston Size (Cooling)	0.071"	0.08"	0.092"	0.092"	0.092"
Filter Size (ft²)	4.2	5.1	6.3	6.3	6.3
Drain Size (NPT)	¾"	¾"	¾"	¾"	¾"
Refrigerant Charge (oz.)	98	98	100	100	100
Condenser Fan / Coil					
Horsepower - RPM	¼ -1,075	⅓ -1,075	⅓ -1,075	⅓ -1,075	⅓ -1,075
Fan Diameter/ No. of Fan Blades	22" / 3	22" / 3	22" / 3	22" / 3	22" / 3
Outdoor Nominal CFM	2,700	3,500	3,500	3,500	3,500
Face Area (ft²)	15.3	15.3	15.3	15.3	15.3
Rows Deep/ Fins per inch	1 / 19	1 / 19	1 / 19	1 / 19	1 / 19
Electrical Data					
Voltage/Phase/ Frequency	208-230/3/60				460/3
Compressor RLA/LRA	10.3 / 75.0	12.6 / 91.0	17.3 / 123.0	17.3 / 123.0	7.5 / 49.5
Indoor Blower FLA/LRA	2.6 / 5.0	4.7 / 12.2	4.7 / 12.2	4.7 / 12.2	2.2 / 4.8
Outdoor Fan RLA/LRA	1.8 / 3.8	2.4 / 5.2	2.4 / 5.2	2.4 / 5.2	1.2 / 2.6
Total Unit Amps	14	16.7	21.0	21.0	10.3
Min. Circuit Ampacity ¹	17.3	22.9	25.8	25.8	12.8
Max. Overcurrent Protection ²	25 amps	30 amps	40 amps	40 amps	20 amps
Entrance Size Power Supply	1⅛"	1⅛"	1⅛"	1⅛"	1⅛"
Entrance Size Control Voltage	⅞"	⅞"	⅞"	⅞"	⅞"
Operating Weight (lbs)	478	496	512	526	526
Ship Weight (lbs)	500	518	534	548	548

¹ Wire size should be determined in accordance with National Electrical Codes. Extensive wire runs will require larger wire sizes.

² Must use time-delay fuses or HACR-type circuit breakers of the same size as noted.

Note: Always check the S&R plate for electrical data on the unit being installed.

GPG13 COMMERCIAL EVAPORATOR BLOWER SPECIFICATIONS WITH EEM MOTORS

GPG13360903A - 3-TON, 230/208, 3-PHASE MODELS

Motor Speed	High				Medium				Low			
E.S.P	CFM	Watts	RPM	Amps	CFM	Watts	RPM	Amps	CFM	Watts	RPM	Amps
0.1	1655	604	878	2.67	1469	494	804	2.24	1100	342	665	1.57
0.2	1579	587	903	2.68	1409	480	833	2.15	1037	335	697	1.52
0.3	1483	567	925	2.62	1327	459	866	2.08	991	320	760	1.45
0.4	1407	547	953	2.53	1257	442	903	2.0	926	308	818	1.39
0.5	1329	522	980	2.44	1163	419	942	1.89	831	290	872	1.32
0.6	1210	498	1004	2.35	1094	398	968	1.8	773	279	902	1.25
0.7	1036	464	1033	2.24	942	363	1002	1.65	669	260	945	1.17
0.8	-	-	-	-	-	-	-	-	-	-	-	-

GPG13360904A - 3-TON, 460-V, 3-PHASE MODELS

Motor Speed	High				Low			
E.S.P	CFM	Watts	RPM	Amps	CFM	Watts	RPM	Amps
0.1	1488	718	801	1.65	1171	501	410	1.2
0.2	1483	694	858	1.58	1151	492	458	1.17
0.3	1448	671	899	1.55	1101	484	499	1.14
0.4	1424	644	939	1.46	1056	469	538	1.1
0.5	1368	610	977	1.4	1024	456	585	1.05
0.6	1320	578	1001	1.32	1012	429	607	0.99
0.7	1252	550	1039	1.24	937	395	645	0.91
0.8	1176	512	1058	1.14	860	364	675	0.82

GPG13 - 4-TON MODELS — HEATING

Motor Speed	T1 (Heating Speed)				T2 (Heating Speed)				T3 (Heating Speed)			
E.S.P	CFM	Watts	RPM	Amps	CFM	Watts	RPM	Amps	CFM	Watts	RPM	Amps
0.1	-	-	-	-	-	-	-	-	-	-	-	-
0.2	914	125	611	1.07	1105	186	686	1.56	1397	323	801	2.57
0.3	822	134	652	1.14	1024	193	712	1.6	1346	331	828	2.67
0.4	733	140	691	1.2	967	202	747	1.65	1288	342	845	2.76
0.5	664	150	733	1.26	884	214	786	1.76	1273	352	855	2.82
0.6	606	154	765	1.28	816	220	818	1.78	1178	359	889	2.88
0.7	584	162	792	1.32	769	230	854	1.85	1120	369	925	2.97
0.8	551	164	801	1.34	698	236	880	1.89	1057	381	941	3.09

GPG13 - 4-TON MODELS — COOLING

Motor Speed	T4 (Cooling Speed)				T5 (Cooling Speed)			
E.S.P	CFM	Watts	RPM	Amps	CFM	Watts	RPM	Amps
0.1	-	-	-	-	-	-	-	-
0.2	1593	449	884	3.55	1699	532	921	4.22
0.3	1545	463	905	3.69	1654	539	944	4.25
0.4	1506	476	934	3.82	1610	551	969	4.3
0.5	1448	481	950	3.87	1545	557	989	4.36
0.6	1400	493	972	3.95	1512	566	1002	4.41
0.7	1341	502	991	4.03	1433	578	1019	4.59
0.8	1289	511	1013	4.11	1392	591	1036	4.65

GPG13 COMMERCIAL EVAPORATOR BLOWER SPECIFICATIONS WITH EEM MOTORS (CONT.)

GPG13 - 5-TON MODELS — HEATING

Motor Speed E.S.P	T1 (Heating Speed)				T2 (Heating Speed)				T3 (Heating Speed)			
	CFM	Watts	RPM	Amps	CFM	Watts	RPM	Amps	CFM	Watts	RPM	Amps
0.1	1125	162	645	1.44	1466	315	783	2.67	1780	496	914	3.33
0.2	1049	168	678	1.53	1384	322	817	2.74	1730	506	937	3.89
0.3	1000	178	708	1.6	1347	329	839	2.78	1664	520	955	4.01
0.4	910	184	741	1.64	1291	341	865	2.83	1608	526	977	4.03
0.5	857	197	783	1.75	1237	350	894	2.9	1568	532	997	4.12
0.6	809	201	807	1.83	1185	362	921	3.05	1515	546	1020	4.14
0.7	739	207	838	1.86	1134	369	945	3.09	1477	552	1040	4.18
0.8	703	218	869	1.96	1087	382	976	3.21	1422	562	1062	4.23

GPG13 - 5-TON MODELS — COOLING

Motor Speed E.S.P	T4 (Cooling Speed)				T5 (Cooling Speed)			
	CFM	Watts	RPM	Amps	CFM	Watts	RPM	Amps
0.1	1942	649	993	4.83	2067	792	1054	5.81
0.2	1883	657	1010	4.87	2030	811	1077	5.85
0.3	1859	670	1029	4.96	1982	814	1088	5.88
0.4	1827	675	1047	4.97	1909	808	1101	5.86
0.5	1749	683	1069	4.99	1842	798	1110	5.85
0.6	1706	693	1083	5.1	1789	772	1117	5.65
0.7	1655	703	1104	5.12	1703	763	1129	5.58
0.8	1588	705	1120	5.11	1618	732	1135	5.29

GPG10 COMMERCIAL EVAPORATOR BLOWER SPECIFICATIONS

3-TON MODELS

Motor Speed E.S.P	High				Medium				Med-Low				Low			
	CFM	Watts	RPM	Amps	CFM	Watts	RPM	Amps	CFM	Watts	RPM	Amps	CFM	Watts	RPM	Amps
0.1	1,420	485	1,025	2.15	1,365	455	991	1.98	1,200	390	881	1.7	980	310	754	1.37
0.2	1,350	470	1,036	2.09	1,310	430	1,009	1.88	1,145	375	937	1.6	950	300	820	1.3
0.3	1,270	445	1,058	1.98	1,225	410	1,030	1.81	1,095	360	976	1.54	920	295	887	1.27
0.4	1,175	420	1,074	1.91	1,145	390	1,052	1.72	1,015	335	992	1.47	850	280	909	1.21
0.5	1,090	395	1,085	1.82	1,055	365	1,069	1.66	940	320	1,014	1.4	-	-	-	-
0.6	995	380	1,096	1.75	950	350	1,081	1.58	850	305	1,041	1.33	-	-	-	-
0.7	875	355	1,109	1.66	835	325	1,096	1.51	-	-	-	-	-	-	-	-
0.8	-	-	-	-	-	-	-	-	-	-	-	-	-	-	-	-

4- to 5-TON MODELS

Motor Speed E.S.P	High				Medium				Low			
	CFM	Watts	RPM	Amps	CFM	Watts	RPM	Amps	CFM	Watts	RPM	Amps
0.1	2,287	1,180	1,036	5.52	1,718	857	813	4.02	1,437	731	705	3.49
0.2	2,212	1,152	1,047	5.42	1,662	822	845	3.84	1,415	716	749	3.39
0.3	2,149	1,115	1,058	5.22	1,633	799	869	3.72	1,379	699	793	3.3
0.4	2,077	1,086	1,069	5.11	1,579	770	894	3.58	1,347	681	832	3.19
0.5	1,986	1,049	1,073	4.97	1,517	742	924	3.43	1,305	659	865	3.08
0.6	1,897	1,013	1,083	4.83	1,445	712	952	3.29	1,258	634	898	2.96
0.7	1,798	967	1,091	4.66	1,383	683	973	3.15	1,186	605	931	2.81
0.8	1,697	929	1,096	4.52	1,296	650	999	2.97	1,124	578	964	2.68

EXPANDED COOLING DATA — GPG1336***3A (CONT.)

IDB	Airflow	Outdoor Ambient Temperature																								
		65°F				75°F				85°F				95°F				105°F				115°F				
		59	63	67	71	59	63	67	71	59	63	67	71	59	63	67	71	59	63	67	71	59	63	67	71	
80	1362	MBh	35.5	36.3	38.8	41.4	34.7	35.4	37.9	40.5	33.8	34.6	37.0	39.5	33.0	33.7	36.1	38.5	31.4	32.1	34.2	36.6	29.1	29.7	31.7	33.9
		S/T	0.94	0.88	0.72	0.54	1.00	0.91	0.74	0.56	1.00	0.94	0.76	0.57	1.00	0.97	0.79	0.59	1.00	1.00	0.82	0.61	1.00	1.00	0.82	0.62
	ΔT	22	22	19	15	23	22	19	15	22	22	19	15	22	22	19	15	21	21	19	15	20	20	18	14	
	kW	2.58	2.63	2.70	2.78	2.75	2.81	2.89	2.98	2.91	2.97	3.06	3.15	3.05	3.11	3.21	3.30	3.17	3.23	3.33	3.43	3.27	3.34	3.44	3.55	
	Amps	8.7	8.8	9.0	9.3	9.2	9.3	9.6	9.8	9.8	9.9	10.2	10.5	10.3	10.4	10.7	11.0	10.7	11.0	11.2	11.6	11.2	11.5	11.8	12.1	
	Hi PR	158	170	179	187	177	191	201	210	201	217	229	239	229	247	261	272	258	278	293	306	285	307	324	338	
	Lo PR	66	70	77	82	70	74	81	87	73	77	84	90	76	81	89	94	80	85	93	99	83	88	96	102	
	1211	MBh	34.5	35.2	37.6	40.2	33.7	34.4	36.8	39.3	32.9	33.6	35.9	38.4	32.1	32.8	35.0	37.4	30.5	31.1	33.3	35.5	28.2	28.8	30.8	32.9
		S/T	0.90	0.84	0.68	0.51	0.93	0.87	0.71	0.53	0.95	0.89	0.73	0.54	0.98	0.92	0.75	0.56	1.00	0.96	0.78	0.58	1.00	0.96	0.78	0.59
	1060	1362	MBh	2.56	2.61	2.68	2.76	2.73	2.79	2.87	2.95	2.89	2.95	3.03	3.13	3.03	3.09	3.18	3.28	3.14	3.21	3.31	3.41	3.24	3.31	3.41
S/T			0.86	0.81	0.66	0.49	0.90	0.84	0.68	0.51	0.92	0.86	0.70	0.52	0.95	0.89	0.72	0.54	0.98	0.92	0.75	0.56	0.99	0.93	0.76	0.57
ΔT		24	23	20	16	24	23	20	16	24	23	20	16	24	23	20	16	24	23	20	16	22	21	19	15	
kW		2.50	2.55	2.62	2.70	2.67	2.73	2.80	2.89	2.83	2.88	2.97	3.05	2.96	3.02	3.11	3.20	3.07	3.13	3.23	3.33	3.17	3.23	3.33	3.44	
Amps		8.5	8.6	8.8	9.0	8.9	9.1	9.3	9.6	9.5	9.7	9.9	10.2	10.0	10.2	10.4	10.7	10.4	10.6	10.9	11.2	10.9	11.1	11.4	11.8	
Hi PR		152	163	172	180	170	183	193	202	193	208	220	229	220	237	250	261	248	267	282	294	274	295	311	324	
Lo PR		64	68	74	79	67	71	78	83	70	74	81	86	73	78	85	91	77	82	89	95	79	85	92	98	
1060		MBh	31.8	32.5	34.7	37.1	31.1	31.7	33.9	36.3	30.3	31.0	33.1	35.4	29.6	30.2	32.3	34.5	28.1	28.7	30.7	32.8	26.0	26.6	28.4	30.4
		S/T	0.86	0.81	0.66	0.49	0.90	0.84	0.68	0.51	0.92	0.86	0.70	0.52	0.95	0.89	0.72	0.54	0.98	0.92	0.75	0.56	0.99	0.93	0.76	0.57
85		1362	MBh	36.1	36.8	38.6	41.1	35.3	36.0	37.7	40.2	34.4	35.1	36.8	39.2	33.6	34.2	35.9	38.3	31.9	32.5	34.1	36.4	29.6	30.1	31.6
	S/T		0.98	0.95	0.86	0.70	1.00	0.98	0.89	0.72	1.00	1.00	0.91	0.74	1.00	1.00	0.94	0.76	1.00	1.00	0.98	0.79	1.00	1.00	0.98	0.80
	ΔT	24	24	22	19	24	24	23	20	23	24	23	20	23	23	23	20	22	22	22	19	20	20	21	18	
	kW	2.60	2.64	2.72	2.80	2.77	2.83	2.91	3.00	2.93	2.99	3.08	3.17	3.07	3.14	3.23	3.33	3.19	3.26	3.36	3.46	3.29	3.36	3.47	3.58	
	Amps	8.7	8.9	9.1	9.3	9.2	9.4	9.6	9.9	9.8	10.0	10.2	10.5	10.3	10.5	10.8	11.1	10.8	11.0	11.3	11.6	11.3	11.5	11.8	12.2	
	Hi PR	159	171	181	189	179	192	203	212	203	219	231	241	232	249	263	275	261	280	296	309	288	310	327	341	
	Lo PR	67	71	78	83	71	75	82	87	73	78	85	91	77	82	90	95	81	86	94	100	84	89	97	103	
	1211	MBh	35.1	35.7	37.4	39.9	34.3	34.9	36.6	39.0	33.4	34.1	35.7	38.1	32.6	33.3	34.8	37.2	31.0	31.6	33.1	35.3	28.7	29.3	30.6	32.7
		S/T	0.94	0.91	0.82	0.66	0.97	0.94	0.85	0.69	1.00	0.96	0.87	0.71	1.00	0.99	0.90	0.73	1.00	1.00	0.93	0.76	1.00	1.00	0.94	0.76
	1060	1362	MBh	2.58	2.63	2.70	2.78	2.75	2.81	2.89	2.98	2.91	2.97	3.06	3.15	3.05	3.11	3.21	3.30	3.17	3.23	3.33	3.43	3.27	3.34	3.44
S/T			0.91	0.87	0.79	0.64	0.94	0.91	0.82	0.66	0.96	0.93	0.84	0.68	0.99	0.96	0.86	0.70	1.00	0.99	0.90	0.73	1.00	1.00	0.91	0.73
ΔT		25	25	24	20	26	25	24	21	26	25	24	21	26	26	24	21	25	25	24	21	23	23	22	19	
kW		2.52	2.57	2.64	2.72	2.69	2.75	2.83	2.91	2.85	2.90	2.99	3.08	2.98	3.04	3.13	3.23	3.10	3.16	3.25	3.35	3.19	3.26	3.36	3.46	
Amps		8.5	8.7	8.9	9.1	9.0	9.2	9.4	9.6	9.6	9.7	10.0	10.2	10.0	10.2	10.5	10.8	10.5	10.7	11.0	11.3	11.0	11.2	11.5	11.8	
Hi PR		153	165	174	181	172	185	195	204	195	210	222	231	222	239	253	264	250	269	284	297	276	298	314	328	
Lo PR		64	68	75	79	68	72	79	84	71	75	82	87	74	79	86	92	78	83	90	96	80	85	93	99	

Shaded area reflects ARI conditions
High and low pressures are measured at the liquid and suction service valves.

IDB: Entering Indoor Dry Bulb Temperature
kW = Total system power
Amps = outdoor unit amps (comp. +fan)

EXPANDED COOLING DATA — GPG1336***4A

IDB	Airflow	Outdoor Ambient Temperature																							
		65°F				75°F				85°F				95°F				105°F				115°F			
		59	63	67	71	59	63	67	71	59	63	67	71	59	63	67	71	59	63	67	71	59	63	67	71
70	MBh	34.3	35.5	38.9	-	33.5	34.7	38.0	-	32.7	33.9	37.1	-	31.9	33.1	36.2	-	30.3	31.4	34.4	-	28.1	29.1	31.9	-
	S/T	0.75	0.63	0.44	-	0.78	0.65	0.45	-	0.80	0.67	0.46	-	0.83	0.69	0.48	-	0.86	0.72	0.50	-	0.86	0.72	0.50	-
	ΔT	17	15	11	-	18	15	12	-	18	15	12	-	18	15	12	-	18	15	12	-	16	14	11	-
	kW	2.54	2.59	2.66	-	2.71	2.77	2.85	-	2.87	2.92	3.01	-	3.00	3.06	3.16	-	3.12	3.18	3.28	-	3.22	3.29	3.39	-
	Amps	8.6	8.7	8.9	-	9.1	9.2	9.4	-	9.6	9.8	10.0	-	10.1	10.3	10.6	-	10.6	10.8	11.1	-	11.1	11.3	11.6	-
	Hi PR	155	166	176	-	173	187	197	-	197	212	224	-	225	242	255	-	253	272	287	-	279	301	317	-
	Lo PR	65	69	75	-	69	73	80	-	71	76	83	-	75	80	87	-	78	83	91	-	81	86	94	-
	MBh	33.3	34.5	37.8	-	32.5	33.7	36.9	-	31.7	32.9	36.1	-	31.0	32.1	35.2	-	29.4	30.5	33.4	-	27.3	28.3	31.0	-
	S/T	0.72	0.60	0.42	-	0.74	0.62	0.43	-	0.76	0.64	0.44	-	0.79	0.66	0.46	-	0.82	0.68	0.47	-	0.82	0.69	0.48	-
	ΔT	18	16	12	-	18	16	12	-	18	16	12	-	19	16	12	-	18	16	12	-	17	15	11	-
kW	2.52	2.57	2.64	-	2.69	2.75	2.83	-	2.85	2.90	2.99	-	2.98	3.04	3.13	-	3.10	3.16	3.25	-	3.19	3.26	3.36	-	
Amps	8.5	8.7	8.9	-	9.0	9.2	9.4	-	9.6	9.7	10.0	-	10.0	10.2	10.5	-	10.5	10.7	11.0	-	11.0	11.2	11.5	-	
Hi PR	153	165	174	-	172	185	195	-	195	210	222	-	222	239	253	-	250	269	284	-	277	298	314	-	
Lo PR	64	68	75	-	68	72	79	-	71	75	82	-	74	79	86	-	78	83	90	-	80	85	93	-	
MBh	30.7	31.9	34.9	-	30.0	31.1	34.1	-	29.3	30.4	33.3	-	28.6	29.6	32.5	-	27.2	28.2	30.8	-	25.2	26.1	28.6	-	
S/T	0.69	0.58	0.40	-	0.72	0.60	0.42	-	0.74	0.61	0.43	-	0.76	0.63	0.44	-	0.79	0.66	0.46	-	0.80	0.66	0.46	-	
ΔT	18	16	12	-	19	16	12	-	19	16	12	-	19	16	12	-	19	16	12	-	17	15	11	-	
kW	2.47	2.51	2.58	-	2.64	2.69	2.76	-	2.78	2.84	2.92	-	2.91	2.97	3.06	-	3.03	3.09	3.18	-	3.12	3.18	3.28	-	
Amps	8.4	8.5	8.7	-	8.8	9.0	9.2	-	9.4	9.5	9.8	-	9.8	10.0	10.3	-	10.3	10.5	10.8	-	10.8	11.0	11.2	-	
Hi PR	148	160	169	-	167	179	189	-	189	204	215	-	216	232	245	-	243	261	276	-	268	289	305	-	
Lo PR	62	66	72	-	66	70	76	-	68	73	79	-	72	76	83	-	75	80	87	-	78	83	90	-	

75	MBh	34.9	35.9	38.9	41.7	34.1	35.1	38.0	40.7	33.3	34.2	37.1	39.8	32.4	33.4	36.2	38.8	30.8	31.7	34.4	36.9	28.6	29.4	31.8	34.2
	S/T	0.86	0.77	0.58	0.37	0.89	0.79	0.60	0.39	0.91	0.81	0.62	0.40	0.94	0.84	0.64	0.41	0.97	0.87	0.66	0.42	0.98	0.88	0.67	0.43
	ΔT	20	19	15	10	20	19	15	11	20	19	15	11	21	19	16	11	20	19	15	11	19	17	14	10
	kW	2.56	2.61	2.68	2.76	2.73	2.79	2.87	2.95	2.89	2.95	3.03	3.13	3.03	3.09	3.18	3.28	3.14	3.21	3.31	3.41	3.24	3.31	3.41	3.52
	Amps	8.6	8.8	9.0	9.2	9.1	9.3	9.5	9.8	9.7	9.9	10.1	10.4	10.2	10.4	10.6	10.9	10.7	10.9	11.2	11.5	11.2	11.4	11.7	12.0
	Hi PR	156	168	177	185	175	189	199	208	199	214	227	236	227	244	258	269	255	275	290	303	282	304	321	334
	Lo PR	66	70	76	81	69	74	80	86	72	77	84	89	76	80	88	93	79	84	92	98	82	87	95	101
	MBh	33.9	34.9	37.7	40.5	33.1	34.1	36.9	39.6	32.3	33.2	36.0	38.6	31.5	32.4	35.1	37.7	29.9	30.8	33.3	35.8	27.7	28.5	30.9	33.2
	S/T	0.82	0.73	0.55	0.36	0.85	0.76	0.57	0.37	0.87	0.78	0.59	0.38	0.90	0.80	0.61	0.39	0.93	0.83	0.63	0.40	0.94	0.84	0.63	0.41
	ΔT	21	19	16	11	21	20	16	11	21	20	16	11	21	20	16	11	21	19	16	11	20	18	15	10
kW	2.54	2.59	2.66	2.74	2.71	2.77	2.85	2.93	2.87	2.93	3.01	3.10	3.00	3.06	3.16	3.25	3.12	3.18	3.28	3.38	3.22	3.29	3.39	3.49	
Amps	8.6	8.7	8.9	9.2	9.1	9.2	9.4	9.7	9.6	9.8	10.0	10.3	10.1	10.3	10.6	10.9	10.6	10.8	11.1	11.4	11.1	11.3	11.6	11.9	
Hi PR	155	166	176	183	174	187	197	206	197	212	224	234	225	242	255	266	253	272	287	300	279	301	317	331	
Lo PR	65	69	75	80	69	73	80	85	71	76	83	88	75	80	87	93	78	83	91	97	81	86	94	100	
MBh	31.3	32.2	34.8	37.4	30.5	31.4	34.0	36.5	29.8	30.7	33.2	35.6	29.1	29.9	32.4	34.8	27.6	28.4	30.8	33.0	25.6	26.3	28.5	30.6	
S/T	0.79	0.70	0.53	0.34	0.82	0.73	0.55	0.36	0.84	0.75	0.57	0.36	0.86	0.77	0.58	0.38	0.90	0.80	0.61	0.39	0.90	0.81	0.61	0.39	
ΔT	21	20	16	11	22	20	16	11	22	20	16	11	22	20	16	11	22	20	16	11	21	20	18	15	
kW	2.49	2.53	2.60	2.68	2.66	2.71	2.78	2.87	2.80	2.86	2.94	3.03	2.94	3.00	3.08	3.18	3.05	3.11	3.20	3.30	3.15	3.21	3.31	3.41	
Amps	8.4	8.6	8.7	9.0	8.9	9.0	9.3	9.5	9.4	9.6	9.8	10.1	9.9	10.1	10.3	10.6	10.4	10.6	10.8	11.2	10.8	11.0	11.3	11.7	
Hi PR	150	161	170	178	168	181	191	199	191	206	218	227	218	235	248	258	245	264	279	291	271	292	308	321	
Lo PR	63	67	73	78	66	71	77	82	69	74	80	85	73	77	84	90	76	81	88	94	79	84	91	97	

Shaded area reflects ACCA (TVA) conditions IDB: Entering Indoor Dry Bulb Temperature kW = Total system power Amps = outdoor unit amps (comp. +fan)
 High and low pressures are measured at the liquid and suction service valves.

EXPANDED COOLING DATA — GPG1336***4A (CONT.)

IDB	Airflow	Outdoor Ambient Temperature																								
		65°F				75°F				85°F				95°F				105°F				115°F				
		59	63	67	71	59	63	67	71	59	63	67	71	59	63	67	71	59	63	67	71	59	63	67	71	
80	1362	MBh	35.5	36.3	38.8	41.4	34.7	35.4	37.9	40.5	33.8	34.6	37.0	39.5	33.0	33.7	36.1	38.5	31.4	32.1	34.2	36.6	29.1	29.7	31.7	33.9
		S/T	0.94	0.88	0.72	0.54	1.00	0.91	0.74	0.56	1.00	0.94	0.76	0.57	1.00	0.97	0.79	0.59	1.00	1.00	0.82	0.61	1.00	1.00	0.82	0.62
	ΔT	22	22	19	15	23	22	19	15	23	22	19	15	22	22	19	15	21	22	19	15	20	20	18	14	
	kW	2.58	2.63	2.70	2.78	2.75	2.81	2.89	2.98	2.91	2.97	3.06	3.15	3.05	3.11	3.21	3.30	3.17	3.23	3.33	3.43	3.27	3.34	3.44	3.55	
	Amps	8.7	8.8	9.0	9.3	9.2	9.3	9.6	9.8	9.8	9.9	10.2	10.5	10.3	10.4	10.7	11.0	10.7	11.0	11.2	11.6	11.2	11.5	11.8	12.1	
	Hi PR	158	170	179	187	177	191	201	210	201	217	229	239	229	247	261	272	258	278	293	306	285	307	324	338	
	Lo PR	66	70	77	82	70	74	81	87	73	77	84	90	76	81	89	94	80	85	93	99	83	88	96	102	
	MBh	34.5	35.2	37.6	40.2	33.7	34.4	36.8	39.3	32.9	33.6	35.9	38.4	32.1	32.8	35.0	37.4	30.5	31.1	33.3	35.5	28.2	28.8	30.8	32.9	
	S/T	0.90	0.84	0.68	0.51	0.93	0.87	0.71	0.53	0.95	0.89	0.73	0.54	0.98	0.92	0.75	0.56	1.00	0.96	0.78	0.58	1.00	0.96	0.78	0.59	
	ΔT	23	22	20	16	24	23	20	16	24	23	20	16	24	23	20	16	23	23	20	16	21	21	18	15	
kW	2.56	2.61	2.68	2.76	2.73	2.79	2.87	2.95	2.89	2.95	3.03	3.13	3.03	3.09	3.18	3.28	3.14	3.21	3.31	3.41	3.24	3.31	3.41	3.52		
Amps	8.6	8.8	9.0	9.2	9.1	9.3	9.5	9.8	9.7	9.9	10.1	10.4	10.2	10.4	10.6	10.9	10.7	10.9	11.2	11.5	11.2	11.4	11.7	12.0		
Hi PR	156	168	178	185	175	189	199	208	199	215	227	236	227	244	258	269	255	275	290	303	282	304	321	334		
Lo PR	66	70	76	81	69	74	80	86	72	77	84	89	76	80	88	94	79	84	92	98	82	87	95	101		
MBh	31.8	32.5	34.7	37.1	31.1	31.7	33.9	36.3	30.3	31.0	33.1	35.4	29.6	30.2	32.3	34.5	28.1	28.7	30.7	32.8	26.0	26.6	28.4	30.4		
S/T	0.86	0.81	0.66	0.49	0.90	0.84	0.68	0.51	0.92	0.86	0.70	0.52	0.95	0.89	0.72	0.54	0.98	0.92	0.75	0.56	0.99	0.93	0.76	0.57		
ΔT	24	23	20	16	24	23	20	16	24	23	20	16	24	23	20	16	24	23	20	16	22	21	19	15		
kW	2.50	2.55	2.62	2.70	2.67	2.73	2.80	2.89	2.83	2.88	2.97	3.05	2.96	3.02	3.11	3.20	3.07	3.13	3.23	3.33	3.17	3.23	3.33	3.44		
Amps	8.5	8.6	8.8	9.0	8.9	9.1	9.3	9.6	9.5	9.7	9.9	10.2	10.0	10.2	10.4	10.7	10.4	10.6	10.9	11.2	10.9	11.1	11.4	11.8		
Hi PR	152	163	172	180	170	183	193	202	193	208	220	229	220	237	250	261	248	267	282	294	274	295	311	324		
Lo PR	64	68	74	79	67	71	78	83	70	74	81	86	73	78	85	91	77	82	89	95	79	85	92	98		

85	1362	MBh	36.1	36.8	38.6	41.1	35.3	36.0	37.7	40.2	34.4	35.1	36.8	39.2	33.6	34.2	35.9	38.3	31.9	32.5	34.1	36.4	29.6	30.1	31.6	33.7
		S/T	0.98	0.95	0.86	0.70	1.00	0.98	0.89	0.72	1.00	1.00	0.91	0.74	1.00	1.00	0.94	0.76	1.00	1.00	0.98	0.79	1.00	1.00	0.98	0.80
	ΔT	24	24	22	19	24	24	23	20	23	24	23	20	23	23	23	20	22	22	22	19	20	20	21	18	
	kW	2.60	2.64	2.72	2.80	2.77	2.83	2.91	3.00	2.93	2.99	3.08	3.17	3.07	3.14	3.23	3.33	3.19	3.26	3.36	3.46	3.29	3.36	3.47	3.58	
	Amps	8.7	8.9	9.1	9.3	9.2	9.4	9.6	9.9	9.8	10.0	10.2	10.5	10.3	10.5	10.8	11.1	10.8	11.0	11.3	11.6	11.3	11.5	11.8	12.2	
	Hi PR	159	171	181	189	179	192	203	212	203	219	231	241	232	249	263	275	261	280	296	309	288	310	327	341	
	Lo PR	67	71	78	83	71	75	82	87	73	78	85	91	77	82	90	95	81	86	94	100	84	89	97	103	
	MBh	35.1	35.7	37.4	39.9	34.3	34.9	36.6	39.0	33.4	34.1	35.7	38.1	32.6	33.3	34.8	37.2	31.0	31.6	33.1	35.3	28.7	29.3	30.6	32.7	
	S/T	0.94	0.91	0.82	0.66	0.97	0.94	0.85	0.69	1.00	0.96	0.87	0.71	1.00	0.99	0.90	0.73	1.00	1.00	0.93	0.76	1.00	1.00	0.94	0.76	
	ΔT	25	25	23	20	25	25	24	20	25	25	24	20	25	25	24	21	24	24	23	20	22	22	22	19	
kW	2.58	2.63	2.70	2.78	2.75	2.81	2.89	2.98	2.91	2.97	3.06	3.15	3.05	3.11	3.21	3.30	3.17	3.23	3.33	3.43	3.27	3.34	3.44	3.55		
Amps	8.7	8.8	9.0	9.3	9.2	9.3	9.6	9.8	9.8	9.9	10.2	10.5	10.3	10.4	10.7	11.0	10.7	11.0	11.2	11.6	11.2	11.5	11.8	12.1		
Hi PR	158	170	179	187	177	191	201	210	201	217	229	239	229	247	261	272	258	278	293	306	285	307	324	338		
Lo PR	66	70	77	82	70	74	81	87	73	77	84	90	76	81	89	94	80	85	93	99	83	88	96	102		
MBh	32.4	33.0	34.6	36.9	31.6	32.2	33.8	36.0	30.9	31.5	32.9	35.1	30.1	30.7	32.1	34.3	28.6	29.2	30.5	32.6	26.5	27.0	28.3	30.2		
S/T	0.91	0.87	0.79	0.64	0.94	0.91	0.82	0.66	0.96	0.93	0.84	0.68	0.99	0.96	0.86	0.70	1.00	0.99	0.90	0.73	1.00	1.00	0.91	0.73		
ΔT	25	25	24	20	26	25	24	21	26	25	24	21	26	26	24	21	25	25	24	21	23	23	22	19		
kW	2.52	2.57	2.64	2.72	2.69	2.75	2.83	2.91	2.85	2.90	2.99	3.08	2.98	3.04	3.13	3.23	3.10	3.16	3.25	3.35	3.19	3.26	3.36	3.46		
Amps	8.5	8.7	8.9	9.1	9.0	9.2	9.4	9.6	9.6	9.7	10.0	10.2	10.0	10.2	10.5	10.8	10.5	10.7	11.0	11.3	11.0	11.2	11.5	11.8		
Hi PR	153	165	174	181	172	185	195	204	195	210	222	231	222	239	253	264	250	269	284	297	276	298	314	328		
Lo PR	64	68	75	79	68	72	79	84	71	75	82	87	74	79	86	92	78	83	90	96	80	85	93	99		

Shaded area reflects ARI conditions IDB: Entering Indoor Dry Bulb Temperature kW = Total system power Amps = outdoor unit amps (comp.+fan)
 High and low pressures are measured at the liquid and suction service valves.

EXPANDED COOLING DATA — GPG13486***3A

IDB	Airflow	Outdoor Ambient Temperature																							
		65°F				75°F				85°F				95°F				105°F				115°F			
		59	63	67	71	59	63	67	71	59	63	67	71	59	63	67	71	59	63	67	71	59	63	67	71
1688	MBh	46.1	47.7	52.3	-	45.0	46.6	51.1	-	43.9	45.5	49.9	-	42.8	44.4	48.7	-	40.7	42.2	46.2	-	37.7	39.1	42.8	-
	S/T	0.77	0.65	0.45	-	0.80	0.67	0.46	-	0.82	0.69	0.48	-	0.85	0.71	0.49	-	0.88	0.74	0.51	-	0.89	0.74	0.51	-
	ΔT	19	17	13	-	20	17	13	-	20	17	13	-	20	17	13	-	20	17	13	-	18	16	12	-
	kW	3.34	3.40	3.49	-	3.56	3.63	3.73	-	3.76	3.83	3.94	-	3.93	4.01	4.13	-	4.08	4.16	4.28	-	4.21	4.29	4.42	-
	Amps	11.9	12.1	12.3	-	12.5	12.6	12.9	-	13.1	13.3	13.6	-	13.7	13.9	14.2	-	14.3	14.5	14.8	-	14.8	15.1	15.4	-
	Hi PR	148	159	168	-	166	179	189	-	189	203	215	-	215	232	244	-	242	260	275	-	267	288	304	-
	Lo PR	64	68	75	-	68	72	79	-	71	75	82	-	74	79	86	-	78	83	90	-	80	86	93	-
	MBh	44.7	46.3	50.8	-	43.7	45.3	49.6	-	42.6	44.2	48.4	-	41.6	43.1	47.2	-	39.5	41.0	44.9	-	36.6	37.9	41.6	-
	S/T	0.74	0.62	0.43	-	0.76	0.64	0.44	-	0.78	0.65	0.45	-	0.81	0.68	0.47	-	0.84	0.70	0.49	-	0.85	0.71	0.49	-
	ΔT	20	17	13	-	20	18	13	-	20	18	13	-	21	18	14	-	20	18	13	-	19	16	12	-
70	kW	3.31	3.38	3.47	-	3.54	3.60	3.70	-	3.73	3.80	3.91	-	3.90	3.98	4.10	-	4.05	4.13	4.25	-	4.18	4.26	4.39	-
	Amps	11.8	12.0	12.2	-	12.4	12.6	12.8	-	13.0	13.2	13.5	-	13.6	13.8	14.1	-	14.2	14.4	14.7	-	14.7	15.0	15.3	-
	Hi PR	147	158	167	-	164	177	187	-	187	201	213	-	213	229	242	-	240	258	272	-	265	285	301	-
	Lo PR	64	68	74	-	67	72	78	-	70	74	81	-	73	78	85	-	77	82	89	-	80	85	92	-
	MBh	41.3	42.8	46.9	-	40.3	41.8	45.8	-	39.4	40.8	44.7	-	38.4	39.8	43.6	-	36.5	37.8	41.4	-	33.8	35.0	38.4	-
	S/T	0.71	0.59	0.41	-	0.74	0.62	0.43	-	0.76	0.63	0.44	-	0.78	0.65	0.45	-	0.81	0.68	0.47	-	0.82	0.68	0.47	-
	ΔT	21	18	14	-	21	18	14	-	21	18	14	-	21	18	14	-	21	18	14	-	19	17	13	-
	kW	3.25	3.31	3.39	-	3.46	3.53	3.62	-	3.65	3.72	3.83	-	3.82	3.89	4.00	-	3.96	4.04	4.16	-	4.08	4.16	4.29	-
	Amps	11.6	11.8	12.0	-	12.2	12.4	12.6	-	12.8	13.0	13.3	-	13.4	13.6	13.9	-	13.9	14.1	14.5	-	14.5	14.7	15.0	-
	Hi PR	142	153	162	-	160	172	181	-	181	195	206	-	207	222	235	-	232	250	264	-	257	276	292	-
Lo PR	62	66	72	-	65	69	76	-	68	72	79	-	71	76	83	-	75	79	87	-	77	82	90	-	

1688	MBh	46.8	48.2	52.2	56.0	45.7	47.1	51.0	54.7	44.7	46.0	49.8	53.4	43.6	44.9	48.6	52.1	41.4	42.6	46.1	49.5	38.3	39.5	42.7	45.9
	S/T	0.88	0.79	0.60	0.38	0.91	0.81	0.62	0.40	0.93	0.84	0.63	0.41	0.96	0.86	0.65	0.42	1.00	0.90	0.68	0.44	1.00	0.90	0.68	0.44
	ΔT	22	21	17	12	23	21	17	12	23	21	17	12	23	21	17	12	23	21	17	12	21	19	16	11
	kW	3.36	3.42	3.52	3.62	3.59	3.65	3.76	3.87	3.79	3.86	3.97	4.09	3.96	4.04	4.16	4.28	4.11	4.19	4.32	4.45	4.24	4.33	4.46	4.59
	Amps	11.9	12.1	12.4	12.6	12.5	12.7	13.0	13.3	13.2	13.4	13.7	14.0	13.8	14.0	14.3	14.7	14.4	14.6	14.9	15.3	14.9	15.2	15.5	15.9
	Hi PR	150	161	170	177	168	181	191	199	191	205	217	226	217	234	247	258	245	263	278	290	270	291	307	320
	Lo PR	65	69	75	80	69	73	80	85	71	76	83	88	75	80	87	93	78	84	91	97	81	86	94	100
	MBh	45.5	46.8	50.7	54.4	44.4	45.7	49.5	53.1	43.4	44.6	48.3	51.9	42.3	43.6	47.1	50.6	40.2	41.4	44.8	48.1	37.2	38.3	41.5	44.5
	S/T	0.84	0.75	0.57	0.37	0.87	0.78	0.59	0.38	0.89	0.80	0.60	0.39	0.92	0.82	0.62	0.40	0.95	0.85	0.65	0.42	0.96	0.86	0.65	0.42
	ΔT	23	22	18	12	24	22	18	12	24	22	18	12	24	22	18	12	24	22	18	12	22	20	17	11
1500	kW	3.34	3.40	3.49	3.59	3.56	3.63	3.73	3.84	3.76	3.83	3.94	4.06	3.93	4.01	4.13	4.25	4.08	4.16	4.29	4.42	4.21	4.29	4.42	4.56
	Amps	11.9	12.1	12.3	12.6	12.5	12.6	12.9	13.2	13.1	13.3	13.6	13.9	13.7	13.9	14.2	14.6	14.3	14.5	14.8	15.2	14.8	15.1	15.4	15.8
	Hi PR	148	159	168	175	166	179	189	197	189	203	215	224	215	232	245	255	242	261	275	287	267	288	304	317
	Lo PR	64	68	75	80	68	72	79	84	71	75	82	87	74	79	86	92	78	83	90	96	80	86	93	99
	MBh	42.0	43.2	46.8	50.2	41.0	42.2	45.7	49.0	40.0	41.2	44.6	47.9	39.0	40.2	43.5	46.7	37.1	38.2	41.3	44.4	34.4	35.4	38.3	41.1
	S/T	0.81	0.72	0.55	0.35	0.84	0.75	0.57	0.36	0.86	0.77	0.58	0.37	0.89	0.79	0.60	0.39	0.92	0.82	0.62	0.40	0.93	0.83	0.63	0.40
	ΔT	24	22	18	12	24	22	18	13	24	22	18	13	24	22	18	13	24	22	18	12	22	21	17	12
	kW	3.27	3.33	3.42	3.51	3.49	3.55	3.65	3.76	3.68	3.75	3.85	3.97	3.85	3.92	4.03	4.15	3.99	4.07	4.19	4.31	4.11	4.20	4.32	4.45
	Amps	11.7	11.9	12.1	12.4	12.2	12.4	12.7	13.0	12.9	13.1	13.4	13.7	13.4	13.7	14.0	14.3	14.0	14.2	14.5	14.9	14.5	14.8	15.1	15.5
	Hi PR	144	155	163	170	161	173	183	191	183	197	208	217	209	225	237	247	235	253	267	278	259	279	295	308
Lo PR	62	66	72	77	66	70	77	82	68	73	80	85	72	77	84	89	75	80	88	93	78	83	91	96	

Shaded area reflects ACCA (TVA) conditions IDB: Entering Indoor Dry Bulb Temperature kW = Total system power Amps = outdoor unit amps (comp.+fan)
 High and low pressures are measured at the liquid and suction service valves.

EXPANDED COOLING DATA — GPG13486***3A (CONT.)

IDB	Airflow	Outdoor Ambient Temperature																								
		65°F				75°F				85°F				95°F				105°F				115°F				
		59	63	67	71	59	63	67	71	59	63	67	71	59	63	67	71	59	63	67	71	59	63	67	71	
80	1688	MBh	47.7	48.7	52.0	55.6	46.6	47.6	50.8	54.3	45.5	46.4	49.6	53.0	44.3	45.3	48.4	51.8	42.1	43.0	46.0	49.2	39.0	39.9	42.6	45.5
		S/T	0.96	0.90	0.74	0.55	1.00	0.94	0.76	0.57	1.00	0.96	0.78	0.58	1.00	1.00	0.81	0.60	1.00	1.00	0.84	0.63	1.00	1.00	0.84	0.63
	ΔT	25	24	21	17	25	24	21	17	24	25	21	17	24	25	21	17	23	23	21	17	21	22	20	16	
	kW	3.38	3.45	3.54	3.64	3.61	3.68	3.79	3.90	3.81	3.89	4.00	4.12	3.99	4.07	4.19	4.32	4.14	4.23	4.35	4.48	4.27	4.36	4.49	4.63	
	Amps	12.0	12.2	12.4	12.7	12.6	12.8	13.0	13.4	13.3	13.5	13.8	14.1	13.9	14.1	14.4	14.8	14.4	14.7	15.0	15.4	15.0	15.3	15.6	16.0	
	Hi PR	151	163	172	179	169	182	193	201	193	207	219	228	220	236	249	260	247	266	281	293	273	294	310	323	
	Lo PR	66	70	76	81	69	74	80	86	72	77	84	89	76	80	88	94	79	84	92	98	82	87	95	101	
	MBh	46.3	47.3	50.5	54.0	45.2	46.2	49.4	52.8	44.1	45.1	48.2	51.5	43.1	44.0	47.0	50.2	40.9	41.8	44.7	47.7	37.9	38.7	41.4	44.2	
	S/T	0.92	0.86	0.70	0.52	0.95	0.89	0.73	0.54	0.98	0.92	0.75	0.56	1.00	0.95	0.77	0.58	1.00	0.98	0.80	0.60	1.00	0.99	0.81	0.60	
	ΔT	26	25	22	17	26	25	22	18	26	25	22	18	26	26	22	18	25	25	22	17	23	23	20	16	
kW	3.36	3.42	3.52	3.62	3.59	3.65	3.76	3.87	3.79	3.86	3.97	4.09	3.96	4.04	4.16	4.28	4.11	4.19	4.32	4.45	4.24	4.33	4.46	4.59		
Amps	11.9	12.1	12.4	12.6	12.5	12.7	13.0	13.3	13.2	13.4	13.7	14.0	13.8	14.0	14.3	14.7	14.4	14.6	14.9	15.3	14.9	15.2	15.5	15.9		
Hi PR	150	161	170	177	168	181	191	199	191	205	217	226	217	234	247	258	245	263	278	290	270	291	307	320		
Lo PR	65	69	75	80	69	73	80	85	71	76	83	88	75	80	87	93	79	84	91	97	81	86	94	100		
MBh	42.7	43.6	46.6	49.9	41.7	42.6	45.6	48.7	40.7	41.6	44.5	47.5	39.7	40.6	43.4	46.4	37.8	38.6	41.2	44.1	35.0	35.7	38.2	40.8		
S/T	0.89	0.83	0.68	0.51	0.92	0.86	0.70	0.52	0.94	0.88	0.72	0.54	0.97	0.91	0.74	0.55	1.01	0.95	0.77	0.58	1.02	0.95	0.78	0.58		
ΔT	27	25	22	18	27	26	22	18	27	26	22	18	27	26	23	18	27	26	22	18	25	24	21	17		
kW	3.29	3.35	3.44	3.54	3.51	3.58	3.68	3.78	3.70	3.77	3.88	4.00	3.87	3.95	4.07	4.19	4.02	4.10	4.22	4.35	4.14	4.23	4.35	4.49		
Amps	11.8	11.9	12.2	12.4	12.3	12.5	12.7	13.0	13.0	13.2	13.4	13.8	13.5	13.7	14.0	14.4	14.1	14.3	14.6	15.0	14.6	14.9	15.2	15.6		
Hi PR	145	156	165	172	163	175	185	193	185	199	210	219	211	227	240	250	237	255	270	281	262	282	298	311		
Lo PR	63	67	73	78	67	71	77	82	69	74	80	86	73	77	84	90	76	81	88	94	79	84	91	97		
85	1688	MBh	48.5	49.4	51.8	55.2	47.4	48.3	50.6	54.0	46.2	47.1	49.4	52.7	45.1	46.0	48.2	51.4	42.9	43.7	45.8	48.8	39.7	40.5	42.4	45.2
		S/T	1.00	0.98	0.88	0.71	1.00	1.00	0.91	0.74	1.00	1.00	0.94	0.76	1.00	1.00	0.97	0.78	1.00	1.00	0.96	0.81	1.00	1.00	0.96	0.82
	ΔT	26	26	25	21	26	26	25	22	25	26	25	22	25	25	25	22	23	24	25	22	22	22	23	20	
	kW	3.41	3.47	3.57	3.67	3.64	3.71	3.81	3.92	3.84	3.92	4.03	4.15	4.02	4.10	4.22	4.35	4.17	4.26	4.38	4.52	4.30	4.39	4.53	4.66	
	Amps	12.1	12.3	12.5	12.8	12.7	12.9	13.1	13.4	13.3	13.6	13.8	14.2	13.9	14.2	14.5	14.8	14.5	14.8	15.1	15.5	15.1	15.4	15.7	16.1	
	Hi PR	153	164	173	181	171	184	195	203	195	210	221	231	222	239	252	263	249	268	283	296	276	297	313	327	
	Lo PR	66	70	77	82	70	74	81	87	73	77	84	90	76	81	89	95	80	85	93	99	83	88	96	102	
	MBh	47.1	48.0	50.3	53.6	46.0	46.9	49.1	52.4	44.9	45.8	47.9	51.1	43.8	44.7	46.8	49.9	41.6	42.4	44.4	47.4	38.5	39.3	41.2	43.9	
	S/T	0.96	0.93	0.84	0.68	1.00	0.96	0.87	0.71	1.00	0.99	0.89	0.72	1.00	1.00	0.92	0.75	1.00	1.00	0.96	0.78	1.00	1.00	0.96	0.78	
	ΔT	28	27	26	22	28	28	26	23	28	28	26	23	27	27	26	23	26	26	26	23	24	24	24	21	
kW	3.38	3.45	3.54	3.64	3.61	3.68	3.79	3.90	3.81	3.89	4.00	4.12	3.99	4.07	4.19	4.32	4.14	4.23	4.35	4.48	4.27	4.36	4.49	4.63		
Amps	12.0	12.2	12.4	12.7	12.6	12.8	13.0	13.4	13.3	13.5	13.8	14.1	13.9	14.1	14.4	14.8	14.4	14.7	15.0	15.4	15.0	15.3	15.6	16.0		
Hi PR	151	163	172	179	169	182	193	201	193	207	219	228	220	236	249	260	247	266	281	293	273	294	310	323		
Lo PR	66	70	76	81	69	74	80	86	72	77	84	89	76	80	88	94	79	84	92	98	82	87	95	101		
MBh	43.5	44.3	46.4	49.5	42.5	43.3	45.3	48.4	41.4	42.2	44.2	47.2	40.4	41.2	43.2	46.0	38.4	39.2	41.0	43.7	35.6	36.3	38.0	40.5		
S/T	0.93	0.90	0.81	0.66	0.96	0.93	0.84	0.68	0.99	0.95	0.86	0.70	1.00	0.98	0.89	0.72	1.00	1.00	0.92	0.75	1.00	1.00	0.93	0.75		
ΔT	28	28	26	23	29	28	27	23	29	28	27	23	28	28	27	23	27	27	27	23	25	25	25	21		
kW	3.31	3.37	3.47	3.56	3.53	3.60	3.70	3.81	3.73	3.80	3.91	4.03	3.90	3.98	4.10	4.22	4.05	4.13	4.25	4.38	4.18	4.26	4.39	4.52		
Amps	11.8	12.0	12.2	12.5	12.4	12.6	12.8	13.1	13.0	13.2	13.5	13.8	13.6	13.8	14.1	14.5	14.2	14.4	14.7	15.1	14.7	15.0	15.3	15.7		
Hi PR	147	158	166	174	164	177	187	195	187	201	212	222	213	229	242	252	240	258	272	284	265	285	301	314		
Lo PR	64	68	74	79	67	72	78	83	70	74	81	86	73	78	85	91	77	82	89	95	80	85	92	98		

Shaded area reflects ARI conditions IDB: Entering Indoor Dry Bulb Temperature kW = Total system power Amps = outdoor unit amps (comp. +fan)
 High and low pressures are measured at the liquid and suction service valves.

EXPANDED COOLING DATA — GPG13486***4A

IDB	Airflow	Outdoor Ambient Temperature																								
		65°F				75°F				85°F				95°F				105°F				115°F				
		59	63	67	71	59	63	67	71	59	63	67	71	59	63	67	71	59	63	67	71	59	63	67	71	
70	1688	MBh	46.1	47.7	52.3	-	45.0	46.6	51.1	-	43.9	45.5	49.9	-	42.8	44.4	48.7	-	40.7	42.2	46.2	-	37.7	39.1	42.8	-
		S/T	0.77	0.65	0.45	-	0.80	0.67	0.46	-	0.82	0.69	0.48	-	0.85	0.71	0.49	-	0.88	0.74	0.51	-	0.89	0.74	0.51	-
	ΔT	19	17	13	-	20	17	13	-	20	17	13	-	20	17	13	-	20	17	13	-	18	16	12	-	
	kW	3.32	3.39	3.48	-	3.55	3.62	3.72	-	3.75	3.83	3.94	-	3.93	4.01	4.13	-	4.08	4.16	4.29	-	4.21	4.29	4.43	-	
	Amps	7.5	7.5	7.6	-	7.7	7.8	7.9	-	8.0	8.1	8.3	-	8.3	8.4	8.5	-	8.6	8.7	8.8	-	8.8	8.9	9.1	-	
	Hi PR	148	159	168	-	166	179	189	-	189	203	215	-	215	232	244	-	242	260	275	-	267	288	304	-	
	Lo PR	64	68	75	-	68	72	79	-	71	75	82	-	74	79	86	-	78	83	90	-	80	86	93	-	
	MBh	44.7	46.3	50.8	-	43.7	45.3	49.6	-	42.6	44.2	48.4	-	41.6	43.1	47.2	-	39.5	41.0	44.9	-	36.6	37.9	41.6	-	
	S/T	0.74	0.62	0.43	-	0.76	0.64	0.44	-	0.78	0.65	0.45	-	0.81	0.68	0.47	-	0.84	0.70	0.49	-	0.85	0.71	0.49	-	
	ΔT	20	17	13	-	20	18	13	-	20	18	13	-	21	18	14	-	20	18	13	-	19	16	12	-	
kW	3.30	3.36	3.46	-	3.53	3.59	3.70	-	3.72	3.80	3.91	-	3.90	3.98	4.10	-	4.05	4.13	4.25	-	4.18	4.26	4.39	-		
Amps	7.4	7.5	7.6	-	7.7	7.8	7.9	-	8.0	8.1	8.2	-	8.3	8.4	8.5	-	8.5	8.6	8.8	-	8.8	8.9	9.1	-		
Hi PR	147	158	167	-	164	177	187	-	187	201	213	-	213	229	242	-	240	258	272	-	265	285	301	-		
Lo PR	64	68	74	-	67	72	78	-	70	74	81	-	73	78	85	-	77	82	89	-	80	85	92	-		
MBh	41.3	42.8	46.9	-	40.3	41.8	45.8	-	39.4	40.8	44.7	-	38.4	39.8	43.6	-	36.5	37.8	41.4	-	33.8	35.0	38.4	-		
S/T	0.71	0.59	0.41	-	0.74	0.62	0.43	-	0.76	0.63	0.44	-	0.78	0.65	0.45	-	0.81	0.68	0.47	-	0.82	0.68	0.47	-		
ΔT	21	18	14	-	21	18	14	-	21	18	14	-	21	18	14	-	21	18	14	-	19	17	13	-		
kW	3.23	3.29	3.38	-	3.45	3.52	3.62	-	3.64	3.71	3.82	-	3.81	3.89	4.00	-	3.96	4.04	4.16	-	4.08	4.16	4.29	-		
Amps	7.3	7.4	7.5	-	7.6	7.7	7.8	-	7.9	8.0	8.1	-	8.1	8.2	8.4	-	8.4	8.5	8.7	-	8.7	8.8	8.9	-		
Hi PR	142	153	162	-	160	172	181	-	181	195	206	-	207	222	235	-	232	250	264	-	257	276	292	-		
Lo PR	62	66	72	-	65	69	76	-	68	72	79	-	71	76	83	-	75	79	87	-	77	82	90	-		
75	1688	MBh	46.8	48.2	52.2	56.0	45.7	47.1	51.0	54.7	44.7	46.0	49.8	53.4	43.6	44.9	48.6	52.1	41.4	42.6	46.1	49.5	38.3	39.5	42.7	45.9
		S/T	0.88	0.79	0.60	0.38	0.91	0.81	0.62	0.40	0.93	0.84	0.63	0.41	0.96	0.86	0.65	0.42	1.00	0.90	0.68	0.44	1.00	0.90	0.68	0.44
	ΔT	22	21	17	12	23	21	17	12	23	21	17	12	23	21	17	12	23	21	17	12	21	19	16	11	
	kW	3.35	3.41	3.51	3.61	3.58	3.65	3.75	3.86	3.78	3.85	3.97	4.09	3.96	4.04	4.16	4.29	4.11	4.19	4.32	4.45	4.24	4.33	4.46	4.60	
	Amps	7.5	7.6	7.7	7.8	7.8	7.8	8.0	8.1	8.1	8.2	8.3	8.4	8.3	8.4	8.6	8.7	8.6	8.7	8.9	9.0	8.9	9.0	9.1	9.3	
	Hi PR	150	161	170	177	168	181	191	199	191	205	217	226	217	234	247	258	245	263	278	290	270	291	307	320	
	Lo PR	65	69	75	80	69	73	80	85	71	76	83	88	75	80	87	93	78	84	91	97	81	86	94	100	
	MBh	45.5	46.8	50.7	54.4	44.4	45.7	49.5	53.1	43.4	44.6	48.3	51.9	42.3	43.6	47.1	50.6	40.2	41.4	44.8	48.1	37.2	38.3	41.5	44.5	
	S/T	0.84	0.75	0.57	0.37	0.87	0.78	0.59	0.38	0.89	0.80	0.60	0.39	0.92	0.82	0.62	0.40	0.95	0.85	0.65	0.42	0.96	0.86	0.65	0.42	
	ΔT	23	22	18	12	24	22	18	12	24	22	18	12	24	22	18	12	24	22	18	12	22	20	17	11	
kW	3.33	3.39	3.48	3.58	3.55	3.62	3.72	3.83	3.75	3.83	3.94	4.06	3.93	4.01	4.13	4.25	4.08	4.16	4.29	4.42	4.21	4.30	4.43	4.56		
Amps	7.5	7.5	7.6	7.8	7.7	7.8	7.9	8.1	8.0	8.1	8.3	8.4	8.3	8.4	8.5	8.7	8.6	8.7	8.8	9.0	8.8	8.9	9.1	9.3		
Hi PR	148	159	168	175	166	179	189	197	189	203	215	224	215	232	245	255	242	261	275	287	267	288	304	317		
Lo PR	64	68	75	80	68	72	79	84	71	75	82	87	74	79	86	92	78	83	90	96	80	86	93	99		
MBh	42.0	43.2	46.8	50.2	41.0	42.2	45.7	49.0	40.0	41.2	44.6	47.9	39.0	40.2	43.5	46.7	37.1	38.2	41.3	44.4	34.4	35.4	38.3	41.1		
S/T	0.81	0.72	0.55	0.35	0.84	0.75	0.57	0.36	0.86	0.77	0.58	0.37	0.89	0.79	0.60	0.39	0.92	0.82	0.62	0.40	0.93	0.83	0.63	0.40		
ΔT	24	22	18	12	24	22	18	13	24	22	18	13	24	22	18	13	24	22	18	12	22	21	17	12		
kW	3.26	3.32	3.41	3.50	3.48	3.54	3.64	3.75	3.67	3.74	3.85	3.96	3.84	3.92	4.03	4.15	3.99	4.07	4.19	4.32	4.11	4.20	4.32	4.46		
Amps	7.4	7.4	7.5	7.7	7.6	7.7	7.8	8.0	7.9	8.0	8.1	8.3	8.2	8.3	8.4	8.6	8.4	8.5	8.7	8.9	8.7	8.8	9.0	9.1		
Hi PR	144	155	163	170	161	173	183	191	183	197	208	217	209	225	237	247	235	253	267	278	259	279	295	308		
Lo PR	62	66	72	77	66	70	77	82	68	73	80	85	72	77	84	89	75	80	88	93	78	83	91	96		

Shaded area reflects ACCA (TVA) conditions IDB: Entering Indoor Dry Bulb Temperature kW = Total system power Amps = outdoor unit amps (comp. +fan)
 High and low pressures are measured at the liquid and suction service valves.

EXPANDED COOLING DATA — GPG13486***4A (CONT.)

IDB	Airflow	Outdoor Ambient Temperature																								
		65°F				75°F				85°F				95°F				105°F				115°F				
		59	63	67	71	59	63	67	71	59	63	67	71	59	63	67	71	59	63	67	71	59	63	67	71	
80	1688	MBh	47.7	48.7	52.0	55.6	46.6	47.6	50.8	54.3	45.5	46.4	49.6	53.0	44.3	45.3	48.4	51.8	42.1	43.0	46.0	49.2	39.0	39.9	42.6	45.5
		S/T	0.96	0.90	0.74	0.55	1.00	0.94	0.76	0.57	1.00	0.96	0.78	0.58	1.00	1.00	0.81	0.60	1.00	1.00	0.84	0.63	1.00	1.00	0.84	0.63
	ΔT	25	24	21	17	25	24	21	17	24	25	21	17	24	25	21	17	23	23	21	17	21	22	20	16	
	kW	3.38	3.45	3.54	3.64	3.61	3.68	3.79	3.90	3.81	3.89	4.00	4.12	3.99	4.07	4.19	4.32	4.14	4.23	4.35	4.48	4.27	4.36	4.49	4.63	
	Amps	12.0	12.2	12.4	12.7	12.6	12.8	13.0	13.4	13.3	13.5	13.8	14.1	13.9	14.1	14.4	14.8	14.4	14.7	15.0	15.4	15.0	15.3	15.6	16.0	
	Hi PR	151	163	172	179	169	182	193	201	193	207	219	228	220	236	249	260	247	266	281	293	273	294	310	323	
	Lo PR	66	70	76	81	69	74	80	86	72	77	84	89	76	80	88	94	79	84	92	98	82	87	95	101	
	MBh	46.3	47.3	50.5	54.0	45.2	46.2	49.4	52.8	44.1	45.1	48.2	51.5	43.1	44.0	47.0	50.2	40.9	41.8	44.7	47.7	37.9	38.7	41.4	44.2	
	S/T	0.92	0.86	0.70	0.52	0.95	0.89	0.73	0.54	0.98	0.92	0.75	0.56	1.00	0.95	0.77	0.58	1.00	0.98	0.80	0.60	1.00	0.99	0.81	0.60	
	ΔT	26	25	22	17	26	25	22	18	26	25	22	18	26	26	22	18	25	25	22	17	23	23	20	16	
kW	3.36	3.42	3.52	3.62	3.59	3.65	3.76	3.87	3.79	3.86	3.97	4.09	3.96	4.04	4.16	4.28	4.11	4.19	4.32	4.45	4.24	4.33	4.46	4.59		
Amps	11.9	12.1	12.4	12.6	12.5	12.7	13.0	13.3	13.2	13.4	13.7	14.0	13.8	14.0	14.3	14.7	14.4	14.6	14.9	15.3	14.9	15.2	15.5	15.9		
Hi PR	150	161	170	177	168	181	191	199	191	205	217	226	217	234	247	258	245	263	278	290	270	291	307	320		
Lo PR	65	69	75	80	69	73	80	85	71	76	83	88	75	80	87	93	79	84	91	97	81	86	94	100		
MBh	42.7	43.6	46.6	49.9	41.7	42.6	45.6	48.7	40.7	41.6	44.5	47.5	39.7	40.6	43.4	46.4	37.8	38.6	41.2	44.1	35.0	35.7	38.2	40.8		
S/T	0.89	0.83	0.68	0.51	0.92	0.86	0.70	0.52	0.94	0.88	0.72	0.54	0.97	0.91	0.74	0.55	1.01	0.95	0.77	0.58	1.02	0.95	0.78	0.58		
ΔT	27	25	22	18	27	26	22	18	27	26	22	18	27	26	23	18	27	26	22	18	25	24	21	17		
kW	3.29	3.35	3.44	3.54	3.51	3.58	3.68	3.78	3.70	3.77	3.88	4.00	3.87	3.95	4.07	4.19	4.02	4.10	4.22	4.35	4.14	4.23	4.35	4.49		
Amps	11.8	11.9	12.2	12.4	12.3	12.5	12.7	13.0	13.0	13.2	13.4	13.8	13.5	13.7	14.0	14.4	14.1	14.3	14.6	15.0	14.6	14.9	15.2	15.6		
Hi PR	145	156	165	172	163	175	185	193	185	199	210	219	211	227	240	250	237	255	270	281	262	282	298	311		
Lo PR	63	67	73	78	67	71	77	82	69	74	80	86	73	77	84	90	76	81	88	94	79	84	91	97		

85	1688	MBh	48.5	49.4	51.8	55.2	47.4	48.3	50.6	54.0	46.2	47.1	49.4	52.7	45.1	46.0	48.2	51.4	42.9	43.7	45.8	48.8	39.7	40.5	42.4	45.2
		S/T	1.00	0.98	0.88	0.71	1.00	1.00	0.91	0.74	1.00	1.00	0.94	0.76	1.00	1.00	0.97	0.78	1.00	1.00	1.00	0.81	1.00	1.00	1.00	0.82
	ΔT	26	26	25	21	26	26	25	22	25	25	25	22	25	25	25	22	23	24	25	22	22	22	22	20	
	kW	3.41	3.47	3.57	3.67	3.64	3.71	3.81	3.92	3.84	3.92	4.03	4.15	4.02	4.10	4.22	4.35	4.17	4.26	4.38	4.52	4.30	4.39	4.53	4.66	
	Amps	12.1	12.3	12.5	12.8	12.7	12.9	13.1	13.4	13.3	13.6	13.8	14.2	13.9	14.2	14.5	14.8	14.5	14.8	15.1	15.5	15.1	15.4	15.7	16.1	
	Hi PR	153	164	173	181	171	184	195	203	195	210	221	231	222	239	252	263	249	268	283	296	276	297	313	327	
	Lo PR	66	70	77	82	70	74	81	87	73	77	84	90	76	81	89	95	80	85	93	99	83	88	96	102	
	MBh	47.1	48.0	50.3	53.6	46.0	46.9	49.1	52.4	44.9	45.8	47.9	51.1	43.8	44.7	46.8	49.9	41.6	42.4	44.4	47.4	38.5	39.3	41.2	43.9	
	S/T	0.96	0.93	0.84	0.68	1.00	0.96	0.87	0.71	1.00	0.99	0.89	0.72	1.00	1.00	0.92	0.75	1.00	1.00	0.96	0.78	1.00	1.00	0.96	0.78	
	ΔT	28	27	26	22	28	28	26	23	28	28	26	23	27	27	26	23	26	26	26	23	24	24	24	21	
kW	3.38	3.45	3.54	3.64	3.61	3.68	3.79	3.90	3.81	3.89	4.00	4.12	3.99	4.07	4.19	4.32	4.14	4.23	4.35	4.48	4.27	4.36	4.49	4.63		
Amps	12.0	12.2	12.4	12.7	12.6	12.8	13.0	13.4	13.3	13.5	13.8	14.1	13.9	14.1	14.4	14.8	14.4	14.7	15.0	15.4	15.0	15.3	15.6	16.0		
Hi PR	151	163	172	179	169	182	193	201	193	207	219	228	220	236	249	260	247	266	281	293	273	294	310	323		
Lo PR	66	70	76	81	69	74	80	86	72	77	84	89	76	80	88	94	79	84	92	98	82	87	95	101		
MBh	43.5	44.3	46.4	49.5	42.5	43.3	45.3	48.4	41.4	42.2	44.2	47.2	40.4	41.2	43.2	46.0	38.4	39.2	41.0	43.7	35.6	36.3	38.0	40.5		
S/T	0.93	0.90	0.81	0.66	0.96	0.93	0.84	0.68	0.99	0.95	0.86	0.70	1.00	0.98	0.89	0.72	1.00	1.00	0.92	0.75	1.00	1.00	0.93	0.75		
ΔT	28	28	26	23	29	28	27	23	29	28	27	23	28	28	27	23	27	27	27	23	25	25	25	21		
kW	3.31	3.37	3.47	3.56	3.53	3.60	3.70	3.81	3.73	3.80	3.91	4.03	3.90	3.98	4.10	4.22	4.05	4.13	4.25	4.38	4.18	4.26	4.39	4.52		
Amps	11.8	12.0	12.2	12.5	12.4	12.6	12.8	13.1	13.0	13.2	13.5	13.8	13.6	13.8	14.1	14.5	14.2	14.4	14.7	15.1	14.7	15.0	15.3	15.7		
Hi PR	147	158	166	174	164	177	187	195	187	201	212	222	213	229	242	252	240	258	272	284	265	285	301	314		
Lo PR	64	68	74	79	67	72	78	83	70	74	81	86	73	78	85	91	77	82	89	95	80	85	92	98		

Shaded area reflects ARI conditions IDB: Entering Indoor Dry Bulb Temperature kW = Total system power Amps = outdoor unit amps (comp. +fan)
 High and low pressures are measured at the liquid and suction service valves.

EXPANDED COOLING DATA — GPG1360***3A

IDB	Airflow	Outdoor Ambient Temperature																							
		65°F				75°F				85°F				95°F				105°F				115°F			
		59	63	67	71	59	63	67	71	59	63	67	71	59	63	67	71	59	63	67	71	59	63	67	71
2046	MBh	55.4	57.4	62.9	-	54.1	56.1	61.4	-	52.8	54.7	59.9	-	51.5	53.4	58.5	-	48.9	50.7	55.6	-	45.3	47.0	51.5	-
	S/T	0.75	0.63	0.44	-	0.78	0.65	0.45	-	0.80	0.67	0.46	-	0.83	0.69	0.48	-	0.86	0.72	0.50	-	0.86	0.72	0.50	-
	ΔT	19	16	12	-	19	16	12	-	19	16	12	-	19	17	13	-	19	16	12	-	18	15	12	-
	kW	4.09	4.17	4.30	-	4.40	4.49	4.64	-	4.67	4.77	4.93	-	4.92	5.02	5.19	-	5.12	5.23	5.41	-	5.30	5.42	5.60	-
	Amps	15.2	15.4	15.8	-	16.0	16.2	16.6	-	16.9	17.1	17.5	-	17.6	17.9	18.3	-	18.4	18.7	19.1	-	19.2	19.5	20.0	-
	Hi PR	165	177	187	-	185	199	210	-	210	226	239	-	240	258	272	-	269	290	306	-	298	320	338	-
	Lo PR	62	66	73	-	66	70	77	-	69	73	80	-	72	77	84	-	75	80	88	-	78	83	91	-
	MBh	53.8	55.7	61.0	-	52.5	54.4	59.6	-	51.3	53.1	58.2	-	50.0	51.8	56.8	-	47.5	49.2	53.9	-	44.0	45.6	50.0	-
	S/T	0.72	0.60	0.42	-	0.74	0.62	0.43	-	0.76	0.64	0.44	-	0.79	0.66	0.46	-	0.82	0.68	0.47	-	0.82	0.69	0.48	-
	ΔT	20	17	13	-	20	17	13	-	20	17	13	-	20	17	13	-	20	17	13	-	18	16	12	-
70	kW	4.06	4.14	4.27	-	4.36	4.46	4.60	-	4.64	4.74	4.89	-	4.88	4.98	5.14	-	5.08	5.19	5.36	-	5.25	5.37	5.55	-
	Amps	15.1	15.3	15.7	-	15.9	16.1	16.5	-	16.8	17.0	17.4	-	17.5	17.8	18.2	-	18.3	18.6	19.0	-	19.0	19.4	19.8	-
	Hi PR	163	176	185	-	183	197	208	-	208	224	237	-	237	255	270	-	267	287	303	-	295	317	335	-
	Lo PR	62	66	72	-	65	69	76	-	68	72	79	-	71	76	83	-	75	79	87	-	77	82	90	-
	MBh	49.6	51.4	56.3	-	48.5	50.2	55.0	-	47.3	49.0	53.7	-	46.2	47.8	52.4	-	43.8	45.4	49.8	-	40.6	42.1	46.1	-
	S/T	0.69	0.58	0.40	-	0.72	0.60	0.42	-	0.74	0.61	0.43	-	0.76	0.63	0.44	-	0.79	0.66	0.46	-	0.80	0.66	0.46	-
	ΔT	20	17	13	-	20	17	13	-	20	17	13	-	20	18	13	-	20	17	13	-	19	16	12	-
	kW	3.96	4.04	4.17	-	4.26	4.35	4.49	-	4.52	4.62	4.77	-	4.76	4.86	5.02	-	4.95	5.06	5.23	-	5.12	5.24	5.41	-
	Amps	14.9	15.1	15.4	-	15.6	15.8	16.2	-	16.5	16.7	17.1	-	17.2	17.5	17.9	-	17.9	18.2	18.7	-	18.7	19.0	19.4	-
	Hi PR	158	170	180	-	178	191	202	-	202	217	230	-	230	248	261	-	259	279	294	-	286	308	325	-
Lo PR	60	64	70	-	63	67	74	-	66	70	76	-	69	74	80	-	72	77	84	-	75	80	87	-	

2046	MBh	56.3	58.0	62.7	67.3	55.0	56.6	61.3	65.8	53.7	55.3	59.8	64.2	52.4	53.9	58.4	62.6	49.8	51.2	55.5	59.5	46.1	47.5	51.4	55.1
	S/T	0.86	0.77	0.58	0.37	0.89	0.79	0.60	0.39	0.91	0.81	0.62	0.40	0.94	0.84	0.64	0.41	0.97	0.87	0.66	0.42	0.98	0.88	0.67	0.43
	ΔT	22	20	16	11	22	20	17	11	22	20	17	11	22	20	17	12	22	20	16	11	20	19	15	11
	kW	4.12	4.21	4.34	4.48	4.43	4.53	4.67	4.83	4.71	4.81	4.97	5.13	4.96	5.07	5.23	5.40	5.16	5.28	5.45	5.64	5.34	5.46	5.64	5.83
	Amps	15.3	15.5	15.8	16.2	16.1	16.3	16.7	17.1	17.0	17.2	17.6	18.1	17.7	18.0	18.4	18.9	18.5	18.8	19.3	19.8	19.3	19.6	20.1	20.6
	Hi PR	166	179	189	197	187	201	212	221	212	229	241	252	242	260	275	287	272	293	309	323	301	324	342	356
	Lo PR	63	67	73	78	67	71	77	82	69	74	80	86	73	77	84	90	76	81	89	94	79	84	92	98
	MBh	54.7	56.3	60.9	65.4	53.4	55.0	59.5	63.9	52.1	53.7	58.1	62.3	50.9	52.4	56.7	60.8	48.3	49.7	53.8	57.8	44.7	46.1	49.9	53.5
	S/T	0.82	0.73	0.55	0.36	0.85	0.76	0.57	0.37	0.87	0.78	0.59	0.38	0.90	0.80	0.61	0.39	0.93	0.83	0.63	0.40	0.94	0.84	0.63	0.41
	ΔT	23	21	17	12	23	21	17	12	23	21	17	12	23	21	17	12	23	21	17	12	21	20	16	11
75	kW	4.09	4.17	4.30	4.44	4.40	4.49	4.64	4.79	4.67	4.78	4.93	5.09	4.92	5.02	5.19	5.36	5.12	5.24	5.41	5.59	5.30	5.42	5.60	5.79
	Amps	15.2	15.4	15.8	16.1	16.0	16.2	16.6	17.0	16.9	17.1	17.5	18.0	17.6	17.9	18.3	18.8	18.4	18.7	19.1	19.7	19.2	19.5	20.0	20.5
	Hi PR	165	177	187	195	185	199	210	219	210	226	239	249	240	258	272	284	270	290	306	319	298	320	338	353
	Lo PR	62	66	73	77	66	70	77	82	69	73	80	85	72	77	84	89	75	80	88	93	78	83	91	97
	MBh	50.5	51.9	56.2	60.3	49.3	50.7	54.9	58.9	48.1	49.5	53.6	57.5	46.9	48.3	52.3	56.1	44.6	45.9	49.7	53.3	41.3	42.5	46.0	49.4
	S/T	0.79	0.70	0.53	0.34	0.82	0.73	0.55	0.36	0.84	0.75	0.57	0.36	0.86	0.77	0.58	0.38	0.90	0.80	0.61	0.39	0.90	0.81	0.61	0.39
	ΔT	23	21	17	12	23	21	18	12	23	21	18	12	23	22	18	12	23	21	17	12	22	20	16	11
	kW	3.99	4.08	4.20	4.33	4.29	4.38	4.52	4.67	4.56	4.66	4.81	4.96	4.79	4.90	5.06	5.23	4.99	5.10	5.27	5.45	5.17	5.28	5.46	5.64
	Amps	15.0	15.2	15.5	15.8	15.7	15.9	16.3	16.7	16.6	16.8	17.2	17.6	17.3	17.6	18.0	18.4	18.0	18.4	18.8	19.3	18.8	19.1	19.6	20.1
	Hi PR	160	172	182	190	179	193	204	213	204	220	232	242	232	250	264	275	261	281	297	310	289	311	328	342
Lo PR	61	64	70	75	64	68	74	79	67	71	77	82	70	74	81	86	73	78	85	91	76	81	88	94	

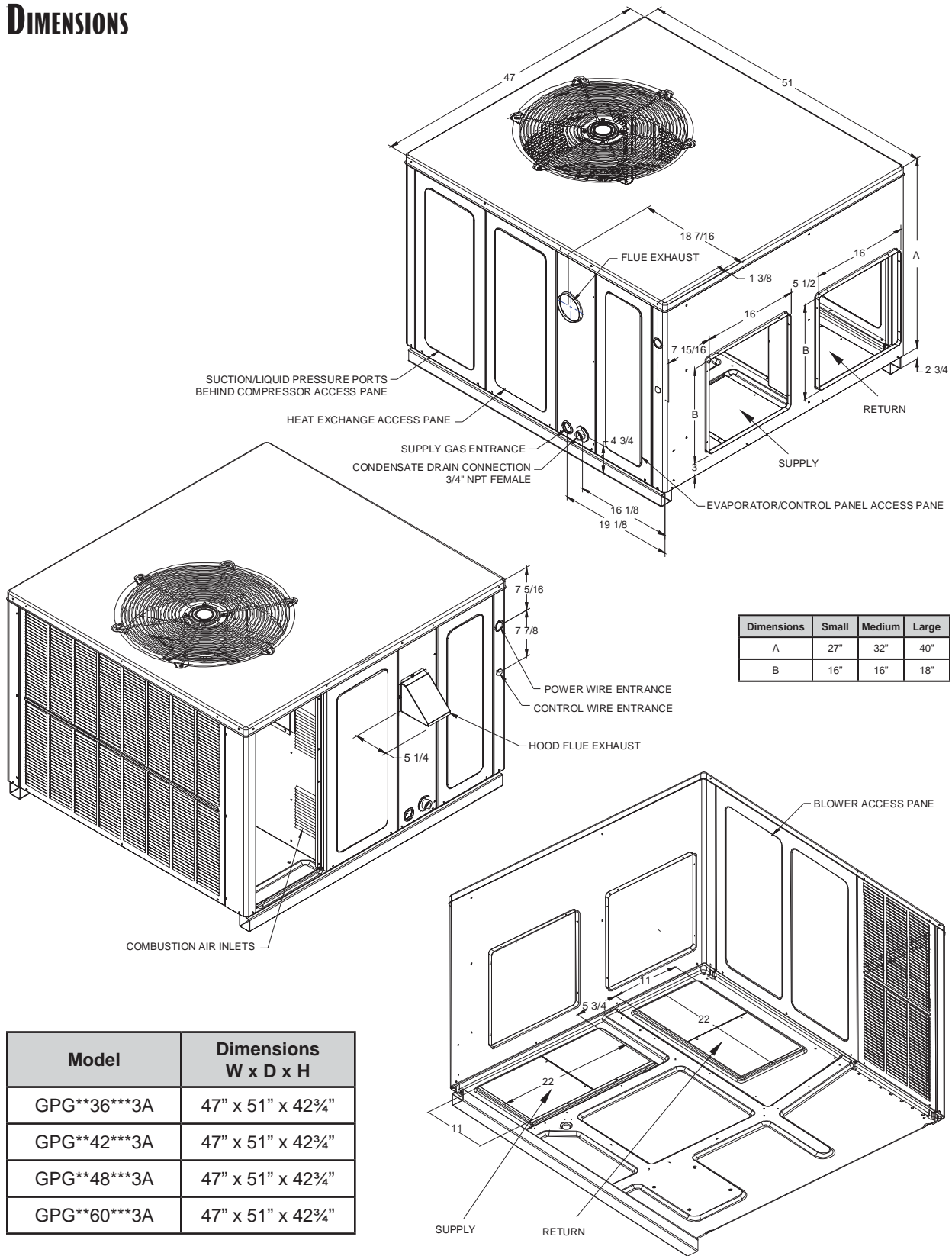
Shaded area reflects ACCA (TVA) conditions IDB: Entering Indoor Dry Bulb Temperature kW = Total system power Amps = outdoor unit amps (comp. +fan)
 High and low pressures are measured at the liquid and suction service valves.

EXPANDED COOLING DATA — GPG1360*4A**

IDB	Airflow	Outdoor Ambient Temperature												115°F											
		65°F				75°F				85°F					95°F				105°F						
		59	63	67	71	59	63	67	71	59	63	67	71		59	63	67	71	59	63	67	71			
2046	MBh	55.4	57.4	62.9	-	54.1	56.1	61.4	-	52.8	54.7	59.9	-	51.5	53.4	58.5	-	48.9	50.7	55.6	-	45.3	47.0	51.5	-
	S/T	0.75	0.63	0.44	-	0.78	0.65	0.45	-	0.80	0.67	0.46	-	0.83	0.69	0.48	-	0.86	0.72	0.50	-	0.86	0.72	0.50	-
	ΔT	19	16	12	-	19	16	12	-	19	16	12	-	19	17	13	-	19	16	12	-	18	15	12	-
	kW	4.09	4.17	4.30	-	4.40	4.49	4.64	-	4.67	4.77	4.93	-	4.92	5.02	5.19	-	5.12	5.23	5.41	-	5.30	5.42	5.60	-
	Amps	10.1	10.2	10.3	-	10.4	10.5	10.7	-	10.8	10.9	11.1	-	11.1	11.3	11.5	-	11.5	11.6	11.8	-	11.8	12.0	12.2	-
	Hi PR	165	177	187	-	185	199	210	-	210	226	239	-	240	258	272	-	269	290	306	-	298	320	338	-
	Lo PR	62	66	73	-	66	70	77	-	69	73	80	-	72	77	84	-	75	80	88	-	78	83	91	-
	MBh	53.8	55.7	61.0	-	52.5	54.4	59.6	-	51.3	53.1	58.2	-	50.0	51.8	56.8	-	47.5	49.2	53.9	-	44.0	45.6	50.0	-
	S/T	0.72	0.60	0.42	-	0.74	0.62	0.43	-	0.76	0.64	0.44	-	0.79	0.66	0.46	-	0.82	0.68	0.47	-	0.82	0.69	0.48	-
	ΔT	20	17	13	-	20	17	13	-	20	17	13	-	20	17	13	-	20	17	13	-	18	16	12	-
70	kW	4.06	4.14	4.27	-	4.36	4.46	4.60	-	4.64	4.74	4.89	-	4.88	4.98	5.14	-	5.08	5.19	5.36	-	5.25	5.37	5.55	-
	Amps	10.0	10.1	10.3	-	10.4	10.5	10.6	-	10.8	10.9	11.1	-	11.1	11.2	11.4	-	11.4	11.6	11.8	-	11.8	11.9	12.1	-
	Hi PR	163	176	185	-	183	197	208	-	208	224	237	-	237	255	270	-	267	287	303	-	295	317	335	-
	Lo PR	62	66	72	-	65	69	76	-	68	72	79	-	71	76	83	-	75	79	87	-	77	82	90	-
	MBh	49.6	51.4	56.3	-	48.5	50.2	55.0	-	47.3	49.0	53.7	-	46.2	47.8	52.4	-	43.8	45.4	49.8	-	40.6	42.1	46.1	-
	S/T	0.69	0.58	0.40	-	0.72	0.60	0.42	-	0.74	0.61	0.43	-	0.76	0.63	0.44	-	0.79	0.66	0.46	-	0.80	0.66	0.46	-
	ΔT	20	17	13	-	20	17	13	-	20	17	13	-	20	18	13	-	20	17	13	-	19	16	12	-
	kW	3.96	4.04	4.17	-	4.26	4.35	4.49	-	4.52	4.62	4.77	-	4.76	4.86	5.02	-	4.95	5.06	5.23	-	5.12	5.24	5.41	-
	Amps	9.9	10.0	10.2	-	10.3	10.4	10.5	-	10.6	10.7	10.9	-	11.0	11.1	11.3	-	11.3	11.4	11.6	-	11.6	11.7	11.9	-
	Hi PR	158	170	180	-	178	191	202	-	202	217	230	-	230	248	261	-	259	279	294	-	286	308	325	-
Lo PR	60	64	70	-	63	67	74	-	66	70	76	-	69	74	80	-	72	77	84	-	75	80	87	-	
1592	MBh	56.3	58.0	62.7	67.3	55.0	56.6	61.3	65.8	53.7	55.3	59.8	64.2	52.4	53.9	58.4	62.6	49.8	51.2	55.5	59.5	46.1	47.5	51.4	55.1
	S/T	0.86	0.77	0.58	0.37	0.89	0.79	0.60	0.39	0.91	0.81	0.62	0.40	0.94	0.84	0.64	0.41	0.97	0.87	0.66	0.42	0.98	0.88	0.67	0.43
	ΔT	22	20	16	11	22	20	17	11	22	20	17	11	22	20	17	12	22	20	16	11	20	19	15	11
	kW	4.12	4.21	4.34	4.48	4.43	4.53	4.67	4.83	4.71	4.81	4.97	5.13	4.96	5.07	5.23	5.40	5.16	5.28	5.45	5.64	5.34	5.46	5.64	5.83
	Amps	10.1	10.2	10.4	10.5	10.5	10.6	10.7	10.9	10.9	11.0	11.1	11.3	11.2	11.3	11.5	11.7	11.5	11.7	11.9	12.1	11.9	12.0	12.2	12.5
	Hi PR	166	179	189	197	187	201	212	221	212	229	241	252	242	260	275	287	272	293	309	323	301	324	342	356
	Lo PR	63	67	73	78	67	71	77	82	69	74	80	86	73	77	84	90	76	81	89	94	79	84	92	98
	MBh	54.7	56.3	60.9	65.4	53.4	55.0	59.5	63.9	52.1	53.7	58.1	62.3	50.9	52.4	56.7	60.8	48.3	49.7	53.8	57.8	44.7	46.1	49.9	53.5
	S/T	0.82	0.73	0.55	0.36	0.85	0.76	0.57	0.37	0.87	0.78	0.59	0.38	0.90	0.80	0.61	0.39	0.93	0.83	0.63	0.40	0.94	0.84	0.63	0.41
	ΔT	23	21	17	12	23	21	17	12	23	21	17	12	23	21	17	12	23	21	17	12	21	20	16	11
75	kW	4.09	4.17	4.30	4.44	4.40	4.49	4.64	4.79	4.67	4.78	4.93	5.09	4.92	5.02	5.19	5.36	5.12	5.24	5.41	5.59	5.30	5.42	5.60	5.79
	Amps	10.1	10.2	10.3	10.5	10.4	10.5	10.7	10.9	10.8	10.9	11.1	11.3	11.2	11.3	11.5	11.7	11.5	11.6	11.8	12.0	11.8	12.0	12.2	12.4
	Hi PR	165	177	187	195	185	199	210	219	210	226	239	249	240	258	272	284	270	290	306	319	298	320	338	353
	Lo PR	62	66	73	77	66	70	77	82	69	73	80	85	72	77	84	89	75	80	88	93	78	83	91	97
	MBh	50.5	51.9	56.2	60.3	49.3	50.7	54.9	58.9	48.1	49.5	53.6	57.5	46.9	48.3	52.3	56.1	44.6	45.9	49.7	53.3	41.3	42.5	46.0	49.4
	S/T	0.79	0.70	0.53	0.34	0.82	0.73	0.55	0.36	0.84	0.75	0.57	0.36	0.86	0.77	0.58	0.38	0.90	0.80	0.61	0.39	0.90	0.81	0.61	0.39
	ΔT	23	21	17	12	23	21	18	12	23	21	18	12	23	22	18	12	23	21	17	12	22	20	16	11
	kW	3.99	4.08	4.20	4.33	4.29	4.38	4.52	4.67	4.56	4.66	4.81	4.96	4.79	4.90	5.06	5.23	4.99	5.10	5.27	5.45	5.17	5.28	5.46	5.64
	Amps	10.0	10.1	10.2	10.4	10.3	10.4	10.6	10.7	10.7	10.8	11.0	11.1	11.0	11.1	11.3	11.5	11.3	11.5	11.7	11.9	11.7	11.8	12.0	12.2
	Hi PR	160	172	182	190	179	193	204	213	204	220	232	242	232	250	264	275	261	281	297	310	289	311	328	342
Lo PR	61	64	70	75	64	68	74	79	67	71	77	82	70	74	81	86	73	78	85	91	76	81	88	94	

Shaded area reflects ACCA (TVA) conditions IDB: Entering Indoor Dry Bulb Temperature kW = Total system power Amps = outdoor unit amps (comp.+fan)
 High and low pressures are measured at the liquid and suction service valves.

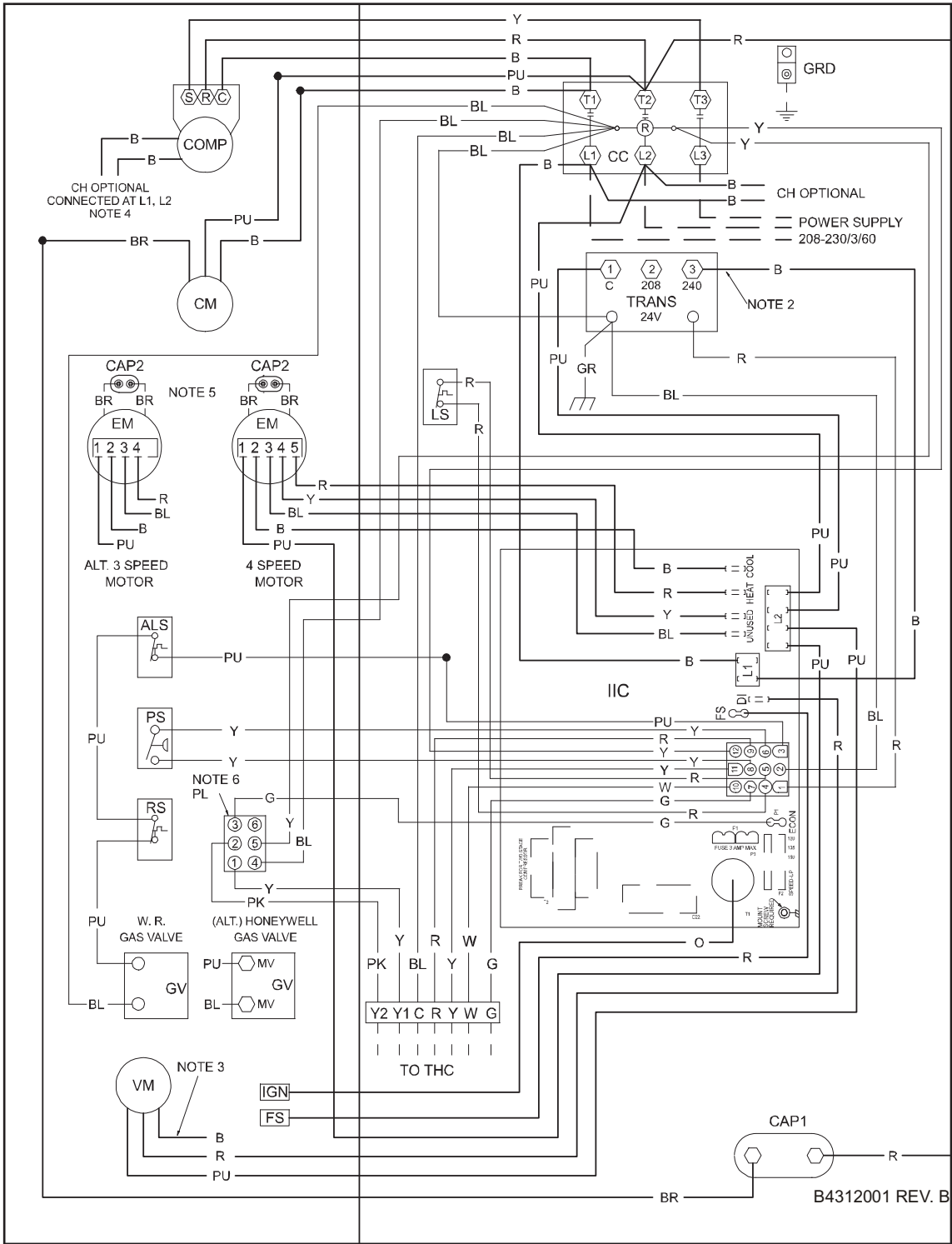
DIMENSIONS



Dimensions	Small	Medium	Large
A	27"	32"	40"
B	16"	16"	18"

Model	Dimensions W x D x H
GPG**36***3A	47" x 51" x 42 ³ / ₄ "
GPG**42***3A	47" x 51" x 42 ³ / ₄ "
GPG**48***3A	47" x 51" x 42 ³ / ₄ "
GPG**60***3A	47" x 51" x 42 ³ / ₄ "

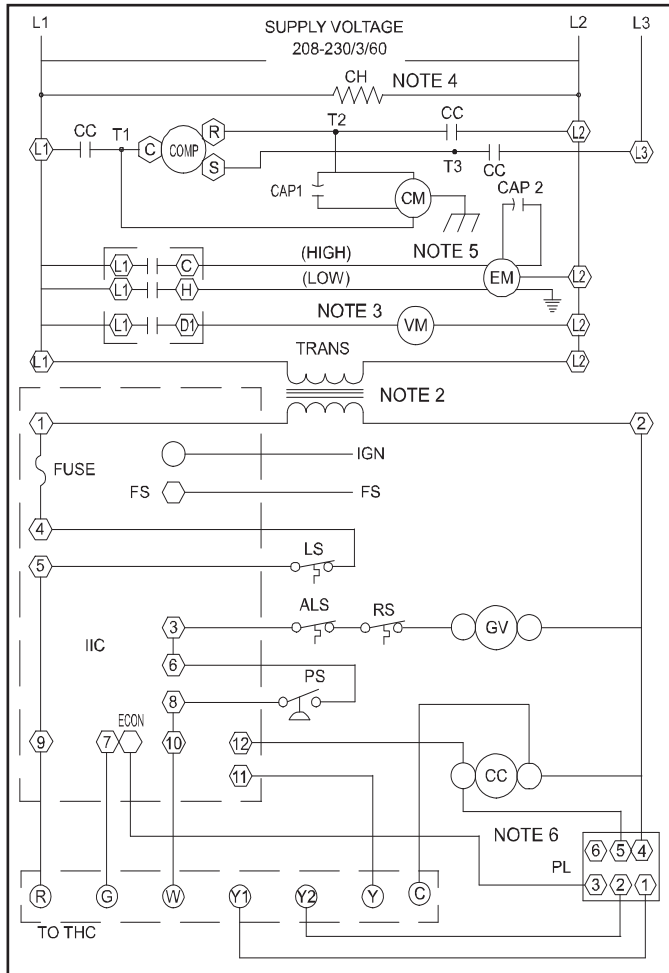
WIRING DIAGRAM — GPG*36-60***3A



Wiring is subject to change. Always refer to the wiring diagram on the unit for the most up-to-date schematic.

 <p>WARNING</p>	<p>High Voltage: Disconnect all power before servicing or installing this unit. Multiple power sources may be present. Failure to do so may cause property damage, personal injury, or death.</p>	
---	---	---

WIRING DIAGRAM — GPG*36-60***3A (CONT.)



- COMPONENT LEGEND**
- ALS AUXILLARY LIMIT SWITCH
 - CAP CAPACITOR
 - COMP COMPRESSOR
 - CM CONDENSER MOTOR
 - CC CONTACTOR
 - CH CRANKCASE HEATER
 - EM EVAPORATOR MOTOR
 - FS FLAME SENSOR
 - GV GAS VALVE
 - IIC INTEGRATED IGNITION CONTROL
 - IGN IGNITOR
 - LS LIMIT SWITCH
 - PL PLUG
 - PS PRESSURE SWITCH
 - RS ROLLOUT SWITCH
 - THC THERMOSTAT HEAT & COOL
 - TRANS TRANSFORMER
 - VM VENT MOTOR
- WIRE CODE**
- B BLACK
 - BL BLUE
 - BR BROWN
 - G GREEN
 - O ORANGE
 - PK PINK
 - PU PURPLE
 - R RED
 - W WHITE
 - Y YELLOW
- WIRING**
- LINE VOLTAGE
 - LOW VOLTAGE
 - FIELD INSTALLED POWER
 - FIELD INSTALLED CONTROL
- NOTES**
- REPLACEMENT WIRE MUST BE THE SAME SIZE AND TYPE OF INSULATION AS ORIGINAL.(USE COPPER CONDUCTOR ONLY).
 - FOR 208 VOLT TRANSFORMER OPERATION MOVE BLACK WIRE FROM TERMINAL (3) TO TERMINAL (2) ON TRANSFORMER.
 - SOME MODELS HAVE VENT MOTORS EQUIPPED WITH A 230V LEAD (RED) AND A 208V LEAD (BLACK). IF EQUIPPED, CONNECT VENT MOTOR BLACK LEAD IN PLACE OF RED LEAD AT IIC (DI) FOR 208V OPERATION.
 - CRANKCASE HEATER (OPTIONAL).
 - FOR DIFFERENT THAN FACTORY SPEED TAP. CHANGE COOLING SPEED AT COOL TERMINAL (IIC). CHANGE HEATING SPEED AT HEAT TERMINAL (IIC)
- 4 SPEED MOTOR**
- B - HIGH SPEED
 - BL - MEDIUM HIGH SPEED
 - Y - MEDIUM LOW SPEED
 - R - LOW SPEED
- 3 SPEED MOTOR**
- B - HIGH SPEED
 - BL - MEDIUM SPEED
 - R - LOW SPEED
6. ACCESSORY ECONOMIZER PLUG (ON SELECT MODELS) ADJACENT TO BLOWER HOUSING IN RETURN AIR COMPARTMENT.

208-230/3/60

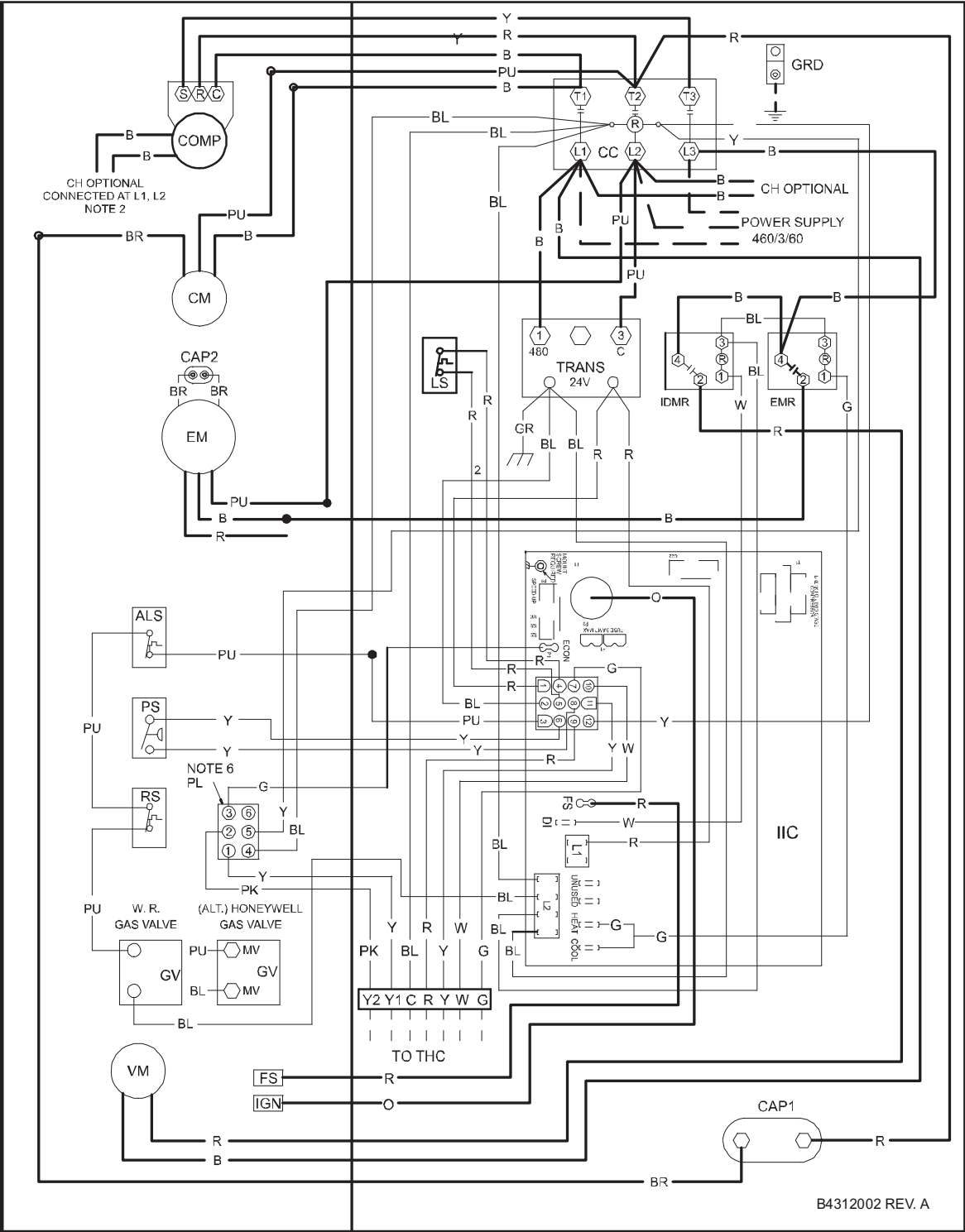
INSTALLER/SERVICEMAN
 THE STATUS LIGHT ON THE FURNACE CONTROL MAY BE USED AS A GUIDE TO TROUBLESHOOTING THIS APPLIANCE. STATUS LIGHT CODES ARE AS FOLLOWS:

STATUS LIGHT	EQUIP. STATUS	CHECK
ON	NORMAL OPERATION	-
OFF	NO POWER OR INTERNAL CONTROL FAULT	CHECK INPUT POWER CHECK FUSE ON CONTROL REPLACE CONTROL
1 BLINK	IGNITION FAILURE OR OPEN ROLLOUT SWITCH OR OPEN AUX. LIMIT SWITCH	GAS FLOW GAS PRESSURE GAS VALVE FLAME SENSOR FLAME ROLLOUT BAD SWITCH AUX. LIMIT OPEN
2 BLINKS	PRESSURE SWITCH OPEN	CHECK PRESSURE SWITCH
3 BLINKS	PRESSURE SWITCH CLOSED WITHOUT INDUCER ON	CHECK PRESSURE SWITCH
4 BLINKS	OPEN LIMIT SWITCH	MAIN LIMIT OPEN BAD SWITCH
5 BLINKS	FALSE FLAME SENSED	STICKING GAS VALVE
6 BLINKS	COMPRESSOR OUTPUT DELAY	3 MIN. COMP. ANTI-CYCLE TIMER

B4312001 REV. B

Wiring is subject to change. Always refer to the wiring diagram on the unit for the most up-to-date schematic.

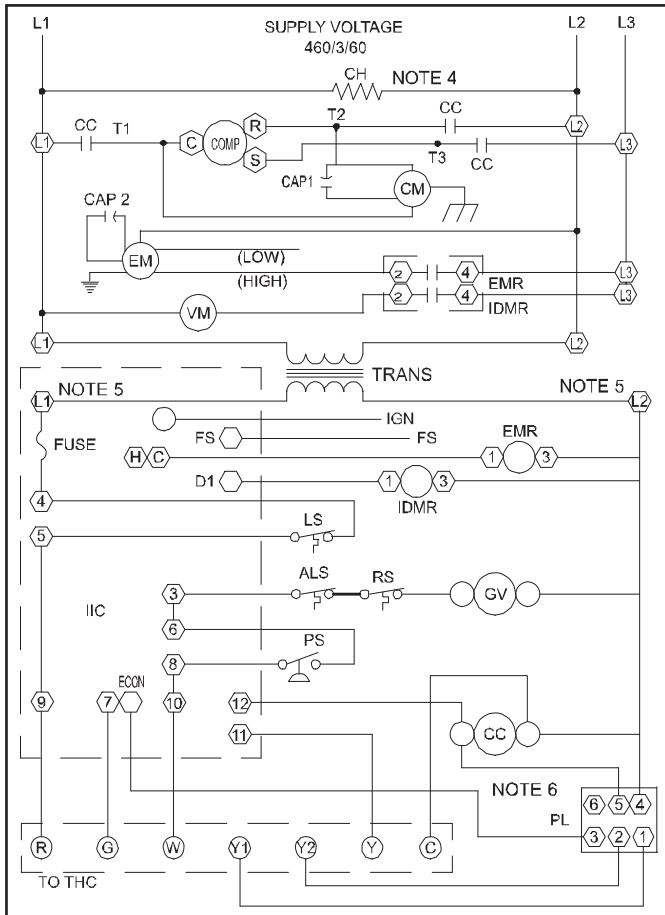
WIRING DIAGRAM — GPG*601404A



Wiring is subject to change. Always refer to the wiring diagram on the unit for the most up-to-date schematic.

 <p>WARNING</p>	<p>High Voltage: Disconnect all power before servicing or installing this unit. Multiple power sources may be present. Failure to do so may cause property damage, personal injury, or death.</p>	
---	---	---

WIRING DIAGRAM — GPG*601404A (CONT.)



COMPONENT LEGEND

ALS AUXILIARY LIMIT SWITCH
 CAP CAPACITOR
 COMP COMPRESSOR
 CM CONDENSER MOTOR
 CC CONTACTOR
 CH CRANKCASE HEATER
 EM EVAPORATOR MOTOR
 EMR EVAPORATOR MOTOR RELAY
 FS FLAME SENSOR
 GV GAS VALVE
 IDMR INDUCED DRAFT MOTOR RELAY
 IIC INTEGRATED IGNITION CONTROL
 IGN IGNITOR
 LS LIMIT SWITCH
 PL PLUG
 PS PRESSURE SWITCH
 RS ROLLOUT SWITCH
 THC THERMOSTAT HEAT & COOL
 TRANS TRANSFORMER
 VM VENT MOTOR

● WIRE SPLICE
 ○ MARKED TERMINAL
 ○ UNMARKED TERMINAL

WIRING

— LINE VOLTAGE
 — LOW VOLTAGE
 — FIELD INSTALLED POWER
 — FIELD INSTALLED CONTROL

WIRE CODE

B BLACK
 BL BLUE
 BR BROWN
 G GREEN
 O ORANGE
 PK PINK
 PU PURPLE
 R RED
 W WHITE
 Y YELLOW

NOTES

- REPLACEMENT WIRE MUST BE THE SAME SIZE AND TYPE OF INSULATION AS ORIGINAL.(USE COPPER CONDUCTOR ONLY).
- CRANKCASE HEATER (OPTIONAL).
- 460V UNITS ARE SINGLE SPEED. TO CHANGE FROM HIGH TO LOW SPEED REPLACE THE BLACK MOTOR LEAD AT EMR#2 WITH RED LEAD AT MOTOR.

4 SPEED MOTOR **3 SPEED MOTOR** **2 SPEED MOTOR**
 B - HIGH SPEED B - HIGH SPEED B - HIGH SPEED
 BL - MEDIUM HIGH SPEED BL - MEDIUM SPEED R - LOW SPEED
 Y - MEDIUM LOW SPEED R - LOW SPEED

- ACCESSORY ECONOMIZER PLUG (ON SELECT MODELS) ADJACENT TO BLOWER HOUSING IN RETURN AIR COMPARTMENT.
- L1 AND L2 ON ICC CONTROL IS 24V INPUT.

460/3/60

INSTALLER/SERVICEMAN

THE STATUS LIGHT ON THE FURNACE CONTROL MAY BE USED AS A GUIDE TO TROUBLESHOOTING THIS APPLIANCE. STATUS LIGHT CODES ARE AS FOLLOWS:

B4312002 REV. A

STATUS LIGHT	EQUIP. STATUS	CHECK
ON	NORMAL OPERATION	-
OFF	NO POWER OR INTERNAL CONTROL FAULT	CHECK INPUT POWER CHECK FUSE ON CONTROL REPLACE CONTROL
1 BLINK	IGNITION FAILURE OR OPEN ROLLOUT SWITCH OR OPEN AUX. LIMIT SWITCH	GAS FLOW GAS PRESSURE GAS VALVE FLAME SENSOR FLAME ROLLOUT BAD SWITCH AUX. LIMIT OPEN
2 BLINKS	PRESSURE SWITCH OPEN	CHECK PRESSURE SWITCH
3 BLINKS	PRESSURE SWITCH CLOSED WITHOUT INDUCER ON	CHECK PRESSURE SWITCH
4 BLINKS	OPEN LIMIT SWITCH	MAIN LIMIT OPEN BAD SWITCH
5 BLINKS	FALSE FLAME SENSED	STICKING GAS VALVE
6 BLINKS	COMPRESSOR OUTPUT DELAY	3 MIN. COMP. ANTI-CYCLE TIMER

Wiring is subject to change. Always refer to the wiring diagram on the unit for the most up-to-date schematic.

Goodman Manufacturing Company, L.P., reserves the right to discontinue, or change at any time, specifications or designs without notice or without incurring obligations.

Copyright © 2008 • Goodman Manufacturing Company, L.P. • Houston, Texas • Printed in the USA.

