



Air Conditioning & Heating

PRODUCT SPECIFICATIONS



14 SEER

1½ TO 5 TON

COOLING AND HEATING CAPACITIES:

18,000 BTU/H TO 55,000 BTU/H



GSH14

SPLIT SYSTEM HEAT PUMP

The Goodman® GSH14 14 SEER Heat Pump features the high-efficiency Copeland® scroll compressor that provides improved temperature and humidity control throughout the home. The GSH14 has an attractive louvered metal guard to protect the coil from damage and strengthen the unit, while the base pan elevates the unit above the slab for excellent water drainage. A powder-paint finish provides premium durability and improved UV protection.

Standard Features

- High-efficiency scroll compressor
- R-22 refrigerant-charged for 15' of refrigerant lines
- 850-RPM condenser fan motor
- Liquid refrigerant return protection
- Factory-installed bi-flow liquid-line filter dryer
- Copper tube/enhanced aluminum fin coil
- Low-pressure switch
- Reliable, time-initiated, temperature-terminated defrost control
- Sweat connection service valves with easy access to gauge ports
- ARI Certified; ETL Listed

Cabinet Features

- Unique Goodman® sound control top design
- Steel louver coil guard
- Heavy-gauge galvanized-steel cabinet
- Attractive Architectural Gray powder-paint finish with 500-hour salt-spray approval
- When properly anchored, meets the 2001 Florida Building Code unit integrity requirements for hurricane-type winds

Contents

Nomenclature.....	2
Product Specifications.....	3
Expanded Cooling Data.....	4
Expanded Heating Data.....	18
ARI Performance Ratings.....	20
Dimensions.....	34
Wiring Diagram.....	35
Accessories	36



NOMENCLATURE

	G	S	H	14	036	1	A	A				
	1	2	3	4,5	6,7,8	9	10	11				
Brand									Engineering *			
G	Goodman® (Standard Feature Set Models)								Minor Revision			
S	Goodman® (High Feature Set Models)								Engineering *			
									Major Revision			
Product Category									Electrical			
S	Split System											
Unit Type												
C	Condenser R-22								1	208/230 V, 1 Phase, 60 Hz		
X	Condenser R-410A								2	220/240 V, 1 Phase, 50 Hz		
H	Heat Pump R-22								3	208/230 V, 3 Phase, 60 Hz		
Z	Heat Pump R-410A								4	460 V, 3 Phase, 60 Hz		
									5	380/415 V, 3 Phase, 50 Hz		
Efficiency									Nominal Capacity			
13	13 SEER								018	1½ Tons	048	4 Tons
14	14 SEER								024	2 Tons	060	5 Tons
16	16 SEER								030	2½ Tons	090	7½ tons
									036	3 Tons	120	10 Tons
									042	3½ Tons		

* Neither used for order entry or inventory management.

Important EnergyStar Notice: Proper sizing and installation of equipment is critical to achieve optimal performance. Split system air conditioners and heat pumps must be matched with appropriate coil components to meet EnergyStar criteria. Ask your contractor for details or visit www.energystar.gov.

SPECIFICATIONS

	GSH14 0181A	GSH14 0241A	GSH14 0301A	GSH14 0361A	GSH14 0421A	GSH14 0481A	GSH14 0601A
Capacities and Ratings							
Nominal Cooling (BTU/h)	18,000	24,000	28,000	34,600	39,600	46,000	55,000
Nominal Heating (BTU/h)	18,000	24,000	27,600	34,600	39,600	46,000	55,000
Decibels	70	72	72	73	73	74	75
Compressor							
RLA	9	10.9	12.2	13.4	16.0	18.3	19.8
LRA	41.0	54.0	63.0	73.0	88.0	109.0	137.0
Condenser Fan Motor							
Horsepower	1/12	1/6	1/6	1/4	1/4	1/4	1/4
FLA	0.6	1.10	1.10	1.50	1.50	1.50	1.50
Refrigeration System							
Refrigerant Line Size¹							
Liquid Line Size ("O.D.)	3/8"	3/8"	3/8"	3/8"	3/8"	3/8"	3/8"
Suction Line Size ("O.D.)	3/4"	3/4"	3/4"	7/8"	1 1/8"	1 1/8"	1 1/8"
Refrigerant Connection Size							
Liquid Valve Size ("O.D.)	3/8"	3/8"	3/8"	3/8"	3/8"	3/8"	3/8"
Suction Valve Size ("O.D.)	3/4"	3/4"	3/4"	7/8"	7/8"	7/8"	7/8"
Valve Connection Type	Sweat	Sweat	Sweat	Sweat	Sweat	Sweat	Sweat
Refrigerant Charge	160	160	165	220	220	280	285
Shipped with Orifice Size	TXV	TXV	TXV	TXV	TXV	TXV	TXV
Electrical Data							
Volts / Hz / Phase	208/230-60-1				208/230-60-1		
Minimum Circuit Ampacity ²	11.8	14.7	16.3	18.3	21.5	27.8	27.3
Max. Overcurrent Protection ³	20	20	20	30	30	40	40
Min / Max Volts	197 / 253	197 / 253	197 / 253	197 / 253	197 / 253	197 / 253	197 / 253
Electrical Conduit Size	1/2" or 3/4"	1/2" or 3/4"	1/2" or 3/4"	1/2" or 3/4"	1/2" or 3/4"	1/2" or 3/4"	1/2" or 3/4"
Ship Weight (lbs)	199	207	207	242	242	266	280

¹ Tested and rated in accordance with ARI Standard 210/240

² Wire size should be determined in accordance with National Electrical Codes; extensive wire runs will require larger wire sizes

³ Must use time-delay fuses or HACR-type circuit breakers of the same size as noted.

Notes

- Always check the S&R plate for electrical data on the unit being installed.
- Installer will need to supply 3/8" to 1 1/8" adapters for suction line connections.
- Unit is charged with refrigerant for 15' of 3/8" liquid line. System charge must be adjusted per Installation Instructions Final Charge Procedure.
- Installation of these units requires the specified TXV Kit to be installed on the indoor coil. THE SPECIFIED TXV IS DETERMINED BY THE OUTDOOR UNIT NOT THE INDOOR COIL.

EXPANDED COOLING DATA — GSH140181A* / CA*F3131B6A*+TXV / MBR800** -1

IDB*	Airflow	Outdoor Ambient Temperature																							
		65°F				75°F				85°F				95°F				105°F				115°F			
		59	63	67	71	59	63	67	71	59	63	67	71	59	63	67	71	59	63	67	71	59	63	67	71
70	MBh	17.6	18.3	20.0	-	17.2	17.9	19.6	-	16.8	17.4	19.1	-	16.4	17.0	18.6	-	15.6	16.2	17.7	-	14.4	15.0	16.4	-
	S/T	0.75	0.62	0.43	-	0.77	0.65	0.45	-	0.79	0.66	0.46	-	0.82	0.68	0.47	-	0.85	0.71	0.49	-	0.86	0.72	0.50	-
	ΔT	18	16	12	-	18	16	12	-	18	16	12	-	18	16	12	-	18	16	12	-	17	15	11	-
	kW	1.20	1.22	1.26	-	1.29	1.32	1.36	-	1.37	1.40	1.44	-	1.44	1.47	1.51	-	1.49	1.53	1.58	-	1.55	1.58	1.63	-
	Amps	4.4	4.5	4.6	-	4.7	4.8	5.0	-	5.1	5.3	5.4	-	5.5	5.6	5.8	-	5.8	6.0	6.2	-	6.2	6.3	6.5	-
	Hi PR	140	151	159	-	157	169	179	-	179	193	204	-	204	220	232	-	229	247	261	-	254	273	288	-
	Lo PR	63	67	73	-	67	71	77	-	69	74	80	-	73	77	84	-	76	81	88	-	79	84	91	-
	MBh	17.1	17.7	19.4	-	16.7	17.3	19.0	-	16.3	16.9	18.5	-	15.9	16.5	18.1	-	15.1	15.7	17.2	-	14.0	14.5	15.9	-
	S/T	0.71	0.60	0.41	-	0.74	0.62	0.43	-	0.76	0.63	0.44	-	0.78	0.65	0.45	-	0.81	0.68	0.47	-	0.82	0.68	0.47	-
	ΔT	19	16	12	-	19	16	12	-	19	16	12	-	19	17	13	-	19	16	12	-	18	15	12	-
kW	1.19	1.22	1.25	-	1.28	1.31	1.35	-	1.36	1.38	1.43	-	1.42	1.46	1.50	-	1.48	1.51	1.56	-	1.53	1.57	1.62	-	
Amps	4.4	4.5	4.6	-	4.7	4.8	5.0	-	5.1	5.2	5.4	-	5.4	5.6	5.7	-	5.8	5.9	6.1	-	6.1	6.2	6.5	-	
Hi PR	139	150	158	-	156	168	177	-	177	191	202	-	202	217	230	-	227	245	258	-	251	270	285	-	
Lo PR	62	66	72	-	66	70	76	-	68	73	79	-	72	76	83	-	75	80	88	-	78	83	91	-	
MBh	15.8	16.4	17.9	-	15.4	16.0	17.5	-	15.1	15.6	17.1	-	14.7	15.2	16.7	-	14.0	14.5	15.9	-	12.9	13.4	14.7	-	
S/T	0.69	0.57	0.40	-	0.71	0.59	0.41	-	0.73	0.61	0.42	-	0.75	0.63	0.44	-	0.78	0.65	0.45	-	0.79	0.66	0.46	-	
ΔT	19	16	12	-	19	17	13	-	19	17	13	-	19	17	13	-	19	17	13	-	18	15	12	-	
kW	1.16	1.19	1.22	-	1.25	1.28	1.31	-	1.32	1.35	1.39	-	1.39	1.42	1.46	-	1.45	1.48	1.52	-	1.50	1.53	1.58	-	
Amps	4.2	4.3	4.5	-	4.6	4.7	4.8	-	5.0	5.1	5.2	-	5.3	5.4	5.6	-	5.6	5.7	5.9	-	5.9	6.1	6.3	-	
Hi PR	135	145	153	-	151	163	172	-	172	185	195	-	196	211	223	-	220	237	250	-	244	262	277	-	
Lo PR	60	64	70	-	64	68	74	-	66	71	77	-	70	74	81	-	73	78	85	-	76	80	88	-	

75	MBh	17.94	18.47	19.99	21.45	17.52	18.04	19.53	20.96	17.10	17.61	19.06	20.46	16.69	17.2	18.60	19.96	15.85	16.32	17.67	18.96	14.68	15.12	16.36	17.56
	S/T	0.85	0.76	0.57	0.37	0.88	0.79	0.60	0.38	0.90	0.81	0.61	0.39	0.93	0.83	0.63	0.41	0.97	0.86	0.65	0.42	0.97	0.87	0.66	0.42
	ΔT	21	19	16	11	21	19	16	11	21	19	16	11	21	19	16	11	21	19	16	11	19	18	15	10
	kW	1.21	1.23	1.27	1.31	1.30	1.33	1.37	1.41	1.38	1.41	1.45	1.50	1.45	1.48	1.53	1.58	1.51	1.54	1.59	1.64	1.56	1.59	1.64	1.70
	Amps	4.4	4.5	4.7	4.8	4.8	4.9	5.0	5.2	5.2	5.3	5.5	5.7	5.5	5.7	5.8	6.1	5.9	6.0	6.2	6.4	6.2	6.4	6.6	6.8
	Hi PR	142	153	161	168	159	171	181	189	181	195	206	214	206	222	234	244	232	249	263	275	256	276	291	304
	Lo PR	64	68	74	79	67	71	78	83	70	74	81	86	73	78	85	91	77	82	89	95	80	85	92	98
	MBh	17.4	17.9	19.4	20.8	17.0	17.5	19.0	20.3	16.6	17.1	18.5	19.9	16.2	16.7	18.1	19.4	15.4	15.8	17.2	18.4	14.3	14.7	15.9	17.1
	S/T	0.81	0.72	0.55	0.35	0.84	0.75	0.57	0.37	0.86	0.77	0.58	0.37	0.89	0.79	0.60	0.39	0.92	0.82	0.62	0.40	0.93	0.83	0.63	0.40
	ΔT	22	20	16	11	22	20	17	11	22	20	17	11	22	20	17	11	22	20	16	11	20	19	15	11
kW	1.20	1.23	1.26	1.30	1.29	1.32	1.36	1.40	1.37	1.40	1.44	1.49	1.44	1.47	1.51	1.56	1.49	1.53	1.58	1.63	1.55	1.58	1.63	1.68	
Amps	4.4	4.5	4.6	4.8	4.7	4.8	5.0	5.2	5.1	5.3	5.4	5.6	5.5	5.6	5.8	6.0	5.8	6.0	6.2	6.4	6.2	6.3	6.5	6.8	
Hi PR	140	151	160	166	158	170	179	187	179	193	204	212	204	220	232	242	230	247	261	272	254	273	288	301	
Lo PR	63	67	73	78	67	71	77	82	69	74	80	86	73	77	84	90	76	81	88	94	79	84	91	97	
MBh	16.1	16.5	17.9	19.2	15.7	16.2	17.5	18.8	15.3	15.8	17.1	18.3	15.0	15.4	16.7	17.9	14.2	14.6	15.8	17.0	13.2	13.5	14.7	15.7	
S/T	0.78	0.70	0.53	0.34	0.81	0.72	0.55	0.35	0.83	0.74	0.56	0.36	0.86	0.77	0.58	0.37	0.89	0.80	0.60	0.39	0.90	0.80	0.61	0.39	
ΔT	22	20	17	11	22	20	17	12	22	21	17	12	22	21	17	12	22	20	17	12	21	19	16	11	
kW	1.17	1.20	1.23	1.27	1.26	1.29	1.32	1.37	1.33	1.36	1.41	1.45	1.40	1.43	1.48	1.52	1.46	1.49	1.54	1.59	1.51	1.54	1.59	1.64	
Amps	4.3	4.4	4.5	4.7	4.6	4.7	4.9	5.0	5.0	5.1	5.3	5.5	5.3	5.5	5.6	5.8	5.7	5.8	6.0	6.2	6.0	6.1	6.3	6.6	
Hi PR	136	147	155	161	153	164	174	181	174	187	197	206	198	213	225	235	223	240	253	264	246	265	280	292	
Lo PR	61	65	71	76	65	69	75	80	67	71	78	83	70	75	82	87	74	79	86	91	76	81	89	94	

Shaded area is ACCA (TVA) conditions IDB: Entering Indoor Dry Bulb Temperature kW=Total system power Amps = outdoor unit amps (comp.+fan)
 High and low pressures are measured at the liquid and suction service valves. Design Subcooling, 9 ±3 °F @ the liquid service valve, ARI 95 test conditions

EXPANDED COOLING DATA — GSH140181A* / CA*F3131B6A*+TXV / MBR800** -1 (CONT.)

IDB*	Outdoor Ambient Temperature																								
	65°F				75°F				85°F				95°F				105°F				115°F				
	Airflow	59	63	67	71	59	63	67	71	59	63	67	71	59	63	67	71	59	63	67	71	59	63	67	71
80	MBh	18.26	18.65	19.93	21.31	17.83	18.22	19.47	20.81	17.41	17.79	19.00	20.31	16.98	17.35	18.54	19.82	16.13	16.49	17.61	18.83	14.94	15.27	16.32	17.44
	S/T	0.93	0.87	0.71	0.53	0.97	0.91	0.74	0.55	1.00	0.93	0.76	0.56	1.00	0.96	0.78	0.58	1.00	1.00	0.81	0.61	1.00	1.00	0.82	0.61
	ΔT	23	22	19	15	23	22	20	16	24	22	20	16	23	23	20	16	22	22	19	16	20	21	18	14
	kW	1.22	1.24	1.28	1.32	1.31	1.34	1.38	1.42	1.39	1.42	1.46	1.51	1.46	1.49	1.54	1.59	1.52	1.55	1.60	1.65	1.57	1.61	1.66	1.71
	Amps	4.5	4.6	4.7	4.9	4.8	4.9	5.1	5.3	5.2	5.3	5.5	5.7	5.6	5.7	5.9	6.1	5.9	6.1	6.3	6.5	6.3	6.4	6.6	6.9
	Hi PR	143	154	163	170	161	173	183	190	183	197	208	217	208	224	237	247	234	252	266	278	259	278	294	307
	Lo PR	64	68	75	79	68	72	79	84	71	75	82	87	74	79	86	92	78	83	90	96	80	85	93	99
	MBh	17.7	18.1	19.4	20.7	17.3	17.7	18.9	20.2	16.9	17.3	18.5	19.7	16.5	16.8	18.0	19.2	15.7	16.0	17.1	18.3	14.5	14.8	15.8	16.9
	S/T	0.89	0.83	0.68	0.51	0.92	0.86	0.70	0.53	0.94	0.89	0.72	0.54	0.97	0.91	0.74	0.56	1.00	0.95	0.77	0.58	1.00	0.96	0.78	0.58
	ΔT	24	23	20	16	24	23	20	16	24	23	20	16	25	24	21	16	24	23	20	16	22	22	19	15
kW	1.21	1.23	1.27	1.31	1.30	1.33	1.37	1.41	1.38	1.41	1.45	1.50	1.45	1.48	1.53	1.58	1.51	1.54	1.59	1.64	1.56	1.59	1.64	1.70	
Amps	4.4	4.5	4.7	4.8	4.8	4.9	5.0	5.2	5.2	5.3	5.5	5.7	5.5	5.7	5.8	6.1	5.9	6.0	6.2	6.4	6.2	6.4	6.6	6.8	
Hi PR	142	153	161	168	159	171	181	189	181	195	206	214	206	222	234	244	232	250	263	275	256	276	291	304	
Lo PR	64	68	74	79	67	71	78	83	70	74	81	86	73	78	85	91	77	82	89	95	80	85	92	98	
MBh	16.4	16.7	17.9	19.1	16.0	16.3	17.4	18.6	15.6	15.9	17.0	18.2	15.2	15.6	16.6	17.8	14.5	14.8	15.8	16.9	13.4	13.7	14.6	15.6	
S/T	0.86	0.80	0.65	0.49	0.89	0.83	0.68	0.51	0.91	0.85	0.69	0.52	0.94	0.88	0.72	0.54	0.98	0.91	0.74	0.56	0.98	0.92	0.75	0.56	
ΔT	25	24	20	16	25	24	21	17	25	24	21	17	25	24	21	17	25	24	21	16	23	22	19	15	
kW	1.18	1.21	1.24	1.28	1.27	1.30	1.33	1.38	1.35	1.37	1.42	1.46	1.41	1.44	1.49	1.54	1.47	1.50	1.55	1.60	1.52	1.55	1.60	1.66	
Amps	4.3	4.4	4.6	4.7	4.7	4.8	4.9	5.1	5.0	5.2	5.3	5.5	5.4	5.5	5.7	5.9	5.7	5.8	6.0	6.3	6.0	6.2	6.4	6.6	
Hi PR	138	148	156	163	154	166	175	183	176	189	199	208	200	215	227	237	225	242	256	267	248	267	282	295	
Lo PR	62	66	72	76	65	69	76	81	68	72	79	84	71	76	83	88	75	79	87	92	77	82	90	95	
85	MBh	18.58	18.93	19.83	21.16	18.14	18.49	19.37	20.66	17.71	18.05	18.91	20.17	17.28	17.61	18.45	19.68	16.42	16.73	17.52	18.70	15.21	15.50	16.23	17.32
	S/T	0.98	0.94	0.85	0.69	1.00	0.98	0.88	0.71	1.00	1.00	0.90	0.73	1.00	1.00	0.93	0.76	1.00	1.00	0.97	0.79	1.00	1.00	0.98	0.79
	ΔT	25	24	23	20	25	25	23	20	24	25	23	20	24	24	23	20	22	23	23	20	21	21	22	19
	kW	1.23	1.25	1.29	1.33	1.32	1.35	1.39	1.43	1.40	1.43	1.48	1.52	1.47	1.50	1.55	1.60	1.53	1.56	1.62	1.67	1.58	1.62	1.67	1.73
	Amps	4.5	4.6	4.8	4.9	4.9	5.0	5.1	5.3	5.3	5.4	5.6	5.8	5.6	5.8	5.9	6.2	6.0	6.1	6.3	6.6	6.3	6.5	6.7	6.9
	Hi PR	145	156	164	171	162	175	184	192	185	199	210	219	210	226	239	249	237	255	269	280	261	281	297	310
	Lo PR	65	69	75	80	69	73	80	85	71	76	83	88	75	80	87	93	78	83	91	97	81	86	94	100
	MBh	18.0	18.4	19.3	20.5	17.6	18.0	18.8	20.1	17.2	17.5	18.4	19.6	16.8	17.1	17.9	19.1	15.9	16.2	17.0	18.2	14.8	15.0	15.8	16.8
	S/T	0.93	0.90	0.81	0.66	0.97	0.93	0.84	0.68	0.99	0.95	0.86	0.70	1.00	0.99	0.89	0.72	1.00	1.00	0.92	0.75	1.00	1.00	0.93	0.76
	ΔT	26	25	24	21	26	26	24	21	26	26	24	21	26	26	24	21	24	25	24	21	23	23	22	19
kW	1.22	1.24	1.28	1.32	1.31	1.34	1.38	1.42	1.39	1.42	1.46	1.51	1.46	1.49	1.54	1.59	1.52	1.55	1.60	1.65	1.57	1.61	1.66	1.71	
Amps	4.5	4.6	4.7	4.9	4.8	4.9	5.1	5.3	5.2	5.3	5.5	5.7	5.6	5.7	5.9	6.1	5.9	6.1	6.3	6.5	6.3	6.4	6.6	6.9	
Hi PR	143	154	163	170	161	173	183	190	183	197	208	217	208	224	237	247	234	252	266	278	259	278	294	307	
Lo PR	64	68	75	79	68	72	79	84	71	75	82	87	74	79	86	92	78	83	90	96	80	85	93	99	
MBh	16.6	17.0	17.8	19.0	16.3	16.6	17.4	18.5	15.9	16.2	16.9	18.1	15.5	15.8	16.5	17.6	14.7	15.0	15.7	16.8	13.6	13.9	14.5	15.5	
S/T	0.90	0.87	0.78	0.63	0.93	0.90	0.81	0.66	0.95	0.92	0.83	0.67	0.99	0.95	0.86	0.70	1.00	0.99	0.89	0.72	1.00	0.99	0.90	0.73	
ΔT	26	26	24	21	26	26	25	21	27	26	25	21	27	26	25	21	26	26	24	21	24	24	23	20	
kW	1.19	1.22	1.25	1.29	1.28	1.31	1.35	1.39	1.36	1.38	1.43	1.47	1.42	1.45	1.50	1.55	1.48	1.51	1.56	1.61	1.53	1.57	1.62	1.67	
Amps	4.4	4.5	4.6	4.8	4.7	4.8	5.0	5.1	5.1	5.2	5.4	5.6	5.4	5.6	5.7	5.9	5.8	5.9	6.1	6.3	6.1	6.2	6.4	6.7	
Hi PR	139	149	158	165	156	168	177	185	177	191	201	210	202	217	229	239	227	244	258	269	251	270	285	297	
Lo PR	62	66	72	77	66	70	76	81	68	73	79	85	72	76	83	89	75	80	87	93	78	83	90	96	

Shaded area is ARI Rating Conditions IDB: Entering Indoor Dry Bulb Temperature IDB = Total system power kW = outdoor unit amps (comp. + fan)
 High and low pressures are measured at the liquid and suction service valves. Design Subcooling, 9 ±3 °F @ the liquid service valve, ARI 95 test conditions

EXPANDED COOLING DATA — GSH140241A* / CA*F3636B6A* +TXV / MBR800**1

IDB*	Airflow	Outdoor Ambient Temperature																							
		65°F				75°F				85°F				95°F				105°F				115°F			
		59	63	67	71	59	63	67	71	59	63	67	71	59	63	67	71	59	63	67	71	59	63	67	71
70	MBh	23.2	24.0	26.3	-	22.6	23.5	25.7	-	22.1	22.9	25.1	-	21.6	22.3	24.5	-	20.5	21.2	23.3	-	19.0	19.7	21.5	-
	S/T	0.76	0.63	0.44	-	0.79	0.66	0.45	-	0.81	0.67	0.47	-	0.83	0.69	0.48	-	0.86	0.72	0.50	-	0.87	0.73	0.50	-
	ΔT	17	15	11	-	17	15	11	-	17	15	11	-	17	15	11	-	17	15	11	-	16	14	10	-
	kW	1.62	1.65	1.70	-	1.73	1.77	1.82	-	1.84	1.87	1.93	-	1.93	1.97	2.03	-	2.00	2.04	2.11	-	2.07	2.11	2.18	-
	Amps	10.1	10.2	10.4	-	10.5	10.7	10.9	-	11.1	11.2	11.4	-	11.5	11.7	11.9	-	11.9	12.1	12.4	-	12.4	12.6	12.8	-
	Hi PR	134	145	153	-	151	162	171	-	172	185	195	-	195	210	222	-	220	237	250	-	243	261	276	-
	Lo PR	64	68	75	-	68	72	79	-	71	75	82	-	74	79	86	-	78	83	90	-	80	85	93	-
	MBh	22.8	23.7	25.9	-	22.3	23.1	25.3	-	21.8	22.6	24.7	-	21.2	22.0	24.1	-	20.2	20.9	22.9	-	18.7	19.4	21.2	-
	S/T	0.73	0.61	0.42	-	0.75	0.63	0.44	-	0.77	0.64	0.45	-	0.80	0.66	0.46	-	0.83	0.69	0.48	-	0.83	0.70	0.48	-
	ΔT	18	16	12	-	18	16	12	-	18	16	12	-	18	16	12	-	18	16	12	-	17	15	11	-
kW	1.61	1.64	1.69	-	1.73	1.76	1.81	-	1.83	1.86	1.92	-	1.92	1.95	2.01	-	1.99	2.03	2.10	-	2.06	2.10	2.16	-	
Amps	10.1	10.2	10.4	-	10.5	10.6	10.8	-	11.0	11.2	11.4	-	11.5	11.6	11.9	-	11.9	12.1	12.3	-	12.3	12.5	12.8	-	
Hi PR	134	144	152	-	150	161	170	-	170	183	194	-	194	209	221	-	218	235	248	-	241	260	274	-	
Lo PR	64	68	74	-	67	72	78	-	70	75	81	-	74	78	85	-	77	82	90	-	80	85	93	-	
MBh	21.7	22.5	24.6	-	21.2	22.0	24.1	-	20.7	21.4	23.5	-	20.2	20.9	22.9	-	19.2	19.9	21.8	-	17.8	18.4	20.2	-	
S/T	0.70	0.58	0.40	-	0.72	0.60	0.42	-	0.74	0.62	0.43	-	0.76	0.64	0.44	-	0.79	0.66	0.46	-	0.80	0.67	0.46	-	
ΔT	18	16	12	-	19	16	12	-	19	16	12	-	19	16	12	-	19	16	12	-	17	15	11	-	
kW	1.59	1.62	1.67	-	1.70	1.73	1.79	-	1.80	1.84	1.89	-	1.89	1.92	1.98	-	1.96	2.00	2.06	-	2.02	2.07	2.13	-	
Amps	10.0	10.1	10.3	-	10.4	10.5	10.7	-	10.9	11.1	11.3	-	11.3	11.5	11.7	-	11.8	11.9	12.2	-	12.2	12.4	12.6	-	
Hi PR	131	141	149	-	147	158	167	-	167	180	190	-	190	205	216	-	214	230	243	-	236	254	269	-	
Lo PR	63	67	73	-	66	70	77	-	69	73	80	-	72	77	84	-	76	80	88	-	78	83	91	-	

75	MBh	23.57	24.27	26.27	28.19	23.02	23.70	25.65	27.53	22.47	23.14	25.04	26.88	21.92	22.57	24.43	26.22	20.83	21.44	23.21	24.91	19.29	19.86	21.50	23.08
	S/T	0.86	0.77	0.58	0.38	0.89	0.80	0.60	0.39	0.92	0.82	0.62	0.40	0.94	0.85	0.64	0.41	0.98	0.88	0.66	0.43	0.99	0.88	0.67	0.43
	ΔT	20	18	15	10	20	18	15	10	20	18	15	10	20	18	15	10	20	18	15	10	18	17	14	10
	kW	1.63	1.66	1.71	1.76	1.75	1.78	1.84	1.89	1.85	1.89	1.95	2.01	1.94	1.98	2.04	2.11	2.02	2.06	2.12	2.19	2.08	2.13	2.19	2.26
	Amps	10.2	10.3	10.5	10.7	10.6	10.7	10.9	11.2	11.1	11.3	11.5	11.8	11.6	11.7	12.0	12.3	12.0	12.2	12.5	12.8	12.5	12.7	12.9	13.2
	Hi PR	136	146	154	161	152	164	173	181	173	187	197	205	197	212	224	234	222	239	252	263	245	264	279	291
	Lo PR	65	69	75	80	69	73	80	85	71	76	83	88	75	80	87	93	78	83	91	97	81	86	94	100
	MBh	23.2	23.9	25.9	27.8	22.7	23.4	25.3	27.1	22.1	22.8	24.7	26.5	21.6	22.2	24.1	25.8	20.5	21.1	22.9	24.5	19.0	19.6	21.2	22.7
	S/T	0.82	0.74	0.56	0.36	0.85	0.76	0.58	0.37	0.88	0.78	0.59	0.38	0.90	0.81	0.61	0.39	0.94	0.84	0.64	0.41	0.95	0.85	0.64	0.41
	ΔT	21	19	16	11	21	19	16	11	21	19	16	11	21	19	16	11	21	19	16	11	19	18	15	10
kW	1.62	1.66	1.70	1.75	1.74	1.77	1.83	1.88	1.84	1.88	1.94	2.00	1.93	1.97	2.03	2.09	2.01	2.05	2.11	2.18	2.07	2.12	2.18	2.25	
Amps	10.1	10.2	10.4	10.6	10.6	10.7	10.9	11.1	11.1	11.2	11.5	11.7	11.5	11.7	11.9	12.2	12.0	12.2	12.4	12.7	12.4	12.6	12.9	13.2	
Hi PR	135	145	153	160	151	163	172	179	172	185	196	204	196	211	223	232	221	237	251	261	244	262	277	289	
Lo PR	64	69	75	80	68	72	79	84	71	75	82	88	74	79	86	92	78	83	90	96	81	86	94	100	
MBh	22.1	22.7	24.6	26.4	21.5	22.2	24.0	25.8	21.0	21.7	23.4	25.2	20.5	21.13	22.9	24.5	19.5	20.1	21.7	23.3	18.1	18.6	20.1	21.6	
S/T	0.79	0.71	0.53	0.34	0.82	0.73	0.55	0.36	0.84	0.75	0.57	0.37	0.87	0.78	0.59	0.38	0.90	0.80	0.61	0.39	0.91	0.81	0.61	0.40	
ΔT	21	20	16	11	22	20	16	11	22	20	16	11	22	20	16	11	21	20	16	11	20	18	15	10	
kW	1.60	1.63	1.68	1.73	1.71	1.75	1.80	1.85	1.81	1.85	1.91	1.96	1.90	1.94	2.00	2.06	1.98	2.02	2.08	2.14	2.04	2.08	2.15	2.22	
Amps	10.0	10.1	10.3	10.5	10.5	10.6	10.8	11.0	11.0	11.1	11.3	11.6	11.4	11.6	11.8	12.1	11.8	12.0	12.3	12.6	12.3	12.5	12.7	13.0	
Hi PR	132	142	150	157	148	160	169	176	169	182	192	200	192	207	218	228	216	233	246	256	239	257	271	283	
Lo PR	63	67	73	78	67	71	77	83	69	74	81	86	73	77	85	90	76	81	89	94	79	84	92	98	

Shaded area is ACCA (TVA) conditions IDB: Entering Indoor Dry Bulb Temperature kW=Total system power Amps = outdoor unit amps (comp.+fan)
 High and low pressures are measured at the liquid and suction service valves. Design Subcooling, 9 ±3 °F @ the liquid service valve, ARI 95 test conditions

EXPANDED COOLING DATA — GSH140241A* / CA*F3636B6A* +TXV / MBR800* *1 (CONT.)

IDB*	Airflow	Outdoor Ambient Temperature																							
		65°F				75°F				85°F				95°F				105°F				115°F			
		59	63	67	71	59	63	67	71	59	63	67	71	59	63	67	71	59	63	67	71	59	63	67	71
80	MBh	23.99	24.51	26.19	27.99	23.43	23.94	25.58	27.34	22.87	23.37	24.97	26.69	22.31	22.80	24.36	26.04	21.20	21.66	23.14	24.74	19.64	20.06	21.44	22.92
	S/T	0.94	0.89	0.72	0.54	0.98	0.92	0.75	0.56	1.00	0.94	0.77	0.57	1.00	0.97	0.79	0.59	1.00	1.00	0.82	0.61	1.00	1.00	0.83	0.62
	ΔT	22	21	18	15	22	21	19	15	22	21	19	15	22	21	19	15	21	21	18	15	19	19	17	14
	kW	1.64	1.68	1.73	1.78	1.76	1.80	1.85	1.91	1.86	1.90	1.96	2.02	1.96	2.00	2.06	2.12	2.03	2.08	2.14	2.21	2.10	2.14	2.21	2.28
	Amps	10.2	10.3	10.5	10.7	10.7	10.8	11.0	11.2	11.2	11.3	11.6	11.8	11.6	11.8	12.0	12.3	12.1	12.3	12.5	12.8	12.5	12.7	13.0	13.3
	Hi PR	137	148	156	163	154	166	175	182	175	188	199	208	199	215	227	236	224	241	255	266	248	267	282	294
	Lo PR	66	70	76	81	69	74	80	86	72	77	84	89	76	80	88	94	79	84	92	98	82	87	95	101
	MBh	23.6	24.1	25.8	27.6	23.1	23.6	25.2	26.9	22.5	23.0	24.6	26.3	22.0	22.5	24.0	25.7	20.9	21.3	22.8	24.4	19.3	19.8	21.1	22.6
	S/T	0.90	0.85	0.69	0.52	0.94	0.88	0.72	0.53	0.96	0.90	0.73	0.55	0.99	0.93	0.76	0.57	1.00	0.97	0.79	0.59	1.00	0.97	0.79	0.59
	ΔT	23	22	19	15	23	22	20	16	23	22	20	16	24	23	20	16	23	22	19	15	21	21	18	14
kW	1.64	1.67	1.72	1.77	1.75	1.79	1.84	1.90	1.85	1.89	1.95	2.01	1.95	1.99	2.05	2.11	2.02	2.06	2.13	2.20	2.09	2.13	2.20	2.27	
Amps	10.2	10.3	10.5	10.7	10.6	10.8	11.0	11.2	11.1	11.3	11.5	11.8	11.6	11.8	12.0	12.3	12.0	12.2	12.5	12.8	12.5	12.7	13.0	13.3	
Hi PR	136	147	155	161	153	165	174	181	174	187	198	206	198	213	225	235	223	240	253	264	246	265	280	292	
Lo PR	65	69	76	81	69	73	80	85	71	76	83	88	75	80	87	93	79	84	91	97	81	87	95	101	
750	MBh	22.5	22.9	24.5	26.2	21.9	22.4	23.9	25.6	21.4	21.9	23.4	25.0	20.9	21.3	22.8	24.4	19.8	20.3	21.7	23.2	18.4	18.8	20.1	21.4
	S/T	0.87	0.81	0.66	0.49	0.90	0.84	0.69	0.51	0.92	0.86	0.70	0.53	0.95	0.89	0.73	0.54	0.99	0.93	0.75	0.56	0.99	0.93	0.76	0.57
	ΔT	24	23	20	16	24	23	20	16	24	23	20	16	24	23	20	16	24	23	20	16	22	21	19	15
	kW	1.61	1.64	1.69	1.74	1.73	1.76	1.81	1.87	1.83	1.86	1.92	1.98	1.92	1.95	2.01	2.08	1.99	2.03	2.10	2.16	2.06	2.10	2.16	2.23
	Amps	10.1	10.2	10.4	10.6	10.5	10.6	10.8	11.1	11.0	11.2	11.4	11.6	11.5	11.6	11.9	12.1	11.9	12.1	12.3	12.6	12.3	12.5	12.8	13.1
	Hi PR	134	144	152	158	150	161	170	178	170	183	194	202	194	209	221	230	218	235	248	259	241	260	274	286
	Lo PR	64	68	74	79	67	72	78	83	70	75	81	87	74	78	85	91	77	82	90	95	80	85	93	99
	MBh	24.41	24.88	26.06	27.80	23.84	24.30	25.45	27.15	23.27	23.72	24.84	26.51	22.70	23.14	24.24	25.86	21.57	21.99	23.03	24.57	19.98	20.37	21.33	22.76
	S/T	0.99	0.96	0.86	0.70	1.00	0.99	0.89	0.73	1.00	1.00	0.92	0.74	1.00	1.00	0.95	0.77	1.00	1.00	0.98	0.80	1.00	1.00	0.99	0.80
	ΔT	23	23	22	19	23	23	22	19	23	23	22	19	22	22	22	19	21	21	22	19	19	20	20	18
kW	1.66	1.69	1.74	1.79	1.77	1.81	1.86	1.92	1.88	1.92	1.98	2.04	1.97	2.01	2.07	2.14	2.05	2.09	2.16	2.23	2.12	2.16	2.23	2.30	
Amps	10.3	10.4	10.6	10.8	10.7	10.9	11.1	11.3	11.2	11.4	11.6	11.9	11.7	11.9	12.1	12.4	12.2	12.3	12.6	12.9	12.6	12.8	13.1	13.4	
Hi PR	139	149	157	164	155	167	177	184	177	190	201	210	201	217	229	239	227	244	258	269	250	269	285	297	
Lo PR	66	70	77	82	70	74	81	87	73	77	84	90	76	81	89	94	80	85	93	99	83	88	96	102	
85	MBh	24.0	24.5	25.7	27.4	23.5	23.9	25.1	26.8	22.9	23.4	24.5	26.1	22.4	22.8	23.9	25.5	21.2	21.7	22.7	24.2	19.7	20.1	21.0	22.4
	S/T	0.95	0.92	0.83	0.67	0.98	0.95	0.86	0.69	1.00	0.97	0.88	0.71	1.00	1.00	0.91	0.74	1.00	1.00	0.94	0.76	1.00	1.00	0.95	0.77
	ΔT	25	24	23	20	25	25	23	20	25	25	23	20	24	25	23	20	23	23	23	20	21	22	22	19
	kW	1.65	1.68	1.73	1.78	1.77	1.80	1.85	1.91	1.87	1.91	1.97	2.03	1.96	2.00	2.06	2.13	2.04	2.08	2.15	2.21	2.11	2.15	2.22	2.29
	Amps	10.2	10.4	10.5	10.8	10.7	10.8	11.0	11.3	11.2	11.4	11.6	11.8	11.7	11.8	12.1	12.4	12.1	12.3	12.6	12.9	12.6	12.8	13.0	13.4
	Hi PR	138	148	156	163	154	166	175	183	176	189	200	208	200	215	227	237	225	242	256	267	249	268	283	295
	Lo PR	66	70	76	81	69	74	81	86	72	77	84	89	76	81	88	94	79	85	92	98	82	87	95	102
	MBh	22.8	23.3	24.4	26.0	22.3	22.7	23.8	25.4	21.8	22.2	23.3	24.8	21.2	21.7	22.7	24.2	20.2	20.6	21.6	23.0	18.7	19.1	20.0	21.3
	S/T	0.91	0.88	0.79	0.64	0.94	0.91	0.82	0.67	0.97	0.93	0.84	0.68	1.00	0.96	0.87	0.70	1.00	1.00	0.90	0.73	1.00	1.00	0.91	0.74
	ΔT	25	25	24	20	26	25	24	21	26	25	24	21	26	26	24	21	25	25	24	21	23	23	22	19
kW	1.62	1.66	1.70	1.75	1.74	1.77	1.83	1.88	1.84	1.88	1.93	1.99	1.93	1.97	2.03	2.09	2.01	2.05	2.11	2.18	2.07	2.12	2.18	2.25	
Amps	10.1	10.2	10.4	10.6	10.6	10.7	10.9	11.1	11.1	11.2	11.5	11.7	11.5	11.7	11.9	12.2	12.0	12.2	12.4	12.7	12.4	12.6	12.9	13.2	
Hi PR	135	145	153	160	151	163	172	179	172	185	196	204	196	211	223	232	221	237	251	261	244	262	277	289	
Lo PR	64	69	75	80	68	72	79	84	71	75	82	88	74	79	86	92	78	83	90	96	81	86	94	100	

Shaded area is ARI Rating Conditions IDB: Entering Indoor Dry Bulb Temperature kW=Total system power Amps = outdoor unit amps (comp.+fan)
 High and low pressures are measured at the liquid and suction service valves. Design Subcooling, 9 ±3 °F @ the liquid service valve, ARI 95 test conditions

EXPANDED COOLING DATA — GSH140301A* / CA*F3636B6A* + TXV / MBR1200** -1

IDB*	Airflow	Outdoor Ambient Temperature																							
		65°F				75°F				85°F				95°F				105°F				115°F			
		59	63	67	71	59	63	67	71	59	63	67	71	59	63	67	71	59	63	67	71	59	63	67	71
70	MBh	27.4	28.4	31.2	-	26.8	27.8	30.4	-	26.2	27.1	29.7	-	25.5	26.5	29.0	-	24.2	25.1	27.5	-	22.5	23.3	25.5	-
	S/T	0.80	0.67	0.46	-	0.83	0.69	0.48	-	0.85	0.71	0.49	-	0.88	0.73	0.51	-	0.91	0.76	0.53	-	0.92	0.77	0.53	-
	ΔT	17	14	11	-	17	15	11	-	17	15	11	-	17	15	11	-	17	14	11	-	16	14	10	-
	kW	1.84	1.87	1.93	-	1.97	2.00	2.06	-	2.08	2.12	2.18	-	2.18	2.22	2.29	-	2.26	2.31	2.38	-	2.33	2.38	2.46	-
	Amps	6.4	6.6	6.8	-	6.9	7.1	7.3	-	7.5	7.7	7.9	-	8.0	8.2	8.4	-	8.5	8.7	9.0	-	9.0	9.2	9.5	-
	Hi PR	137	148	156	-	154	166	175	-	175	188	199	-	199	215	227	-	224	241	255	-	248	267	282	-
	Lo PR	64	68	75	-	68	72	79	-	70	75	82	-	74	79	86	-	78	83	90	-	80	85	93	-
	MBh	26.6	27.6	30.3	-	26.0	27.0	29.5	-	25.4	26.3	28.8	-	24.8	25.7	28.1	-	23.5	24.4	26.7	-	21.8	22.6	24.8	-
	S/T	0.76	0.64	0.44	-	0.79	0.66	0.46	-	0.81	0.68	0.47	-	0.84	0.70	0.48	-	0.87	0.73	0.50	-	0.88	0.73	0.51	-
	ΔT	17	15	11	-	18	15	12	-	18	15	12	-	18	15	12	-	17	15	11	-	16	14	11	-
kW	1.82	1.86	1.91	-	1.95	1.99	2.05	-	2.06	2.10	2.17	-	2.16	2.20	2.27	-	2.24	2.29	2.36	-	2.32	2.36	2.44	-	
Amps	6.4	6.5	6.7	-	6.8	7.0	7.2	-	7.4	7.6	7.8	-	7.9	8.1	8.4	-	8.4	8.6	8.9	-	8.9	9.1	9.4	-	
Hi PR	136	146	154	-	152	164	173	-	173	187	197	-	197	212	224	-	222	239	252	-	245	264	279	-	
Lo PR	64	68	74	-	67	71	78	-	70	74	81	-	73	78	85	-	77	82	89	-	79	85	92	-	
MBh	24.6	25.5	27.9	-	24.0	24.9	27.3	-	23.4	24.3	26.6	-	22.9	23.7	26.0	-	21.7	22.5	24.7	-	20.1	20.9	22.9	-	
S/T	0.74	0.62	0.43	-	0.76	0.64	0.44	-	0.78	0.65	0.45	-	0.81	0.67	0.47	-	0.84	0.70	0.49	-	0.85	0.71	0.49	-	
ΔT	18	15	12	-	18	15	12	-	18	15	12	-	18	16	12	-	18	15	12	-	17	14	11	-	
kW	1.79	1.82	1.87	-	1.91	1.94	2.00	-	2.02	2.06	2.12	-	2.11	2.15	2.22	-	2.19	2.24	2.30	-	2.26	2.31	2.38	-	
Amps	6.2	6.3	6.5	-	6.7	6.8	7.0	-	7.2	7.4	7.6	-	7.7	7.9	8.1	-	8.2	8.4	8.6	-	8.6	8.8	9.1	-	
Hi PR	132	142	150	-	148	159	168	-	168	181	191	-	191	206	218	-	215	232	245	-	238	256	270	-	
Lo PR	62	66	72	-	65	69	76	-	68	72	79	-	71	76	83	-	74	79	87	-	77	82	89	-	

75	MBh	27.90	28.73	31.10	33.37	27.25	28.06	30.37	32.60	26.60	27.39	29.65	31.82	25.96	26.72	28.93	31.05	24.66	25.39	27.48	29.49	22.84	23.52	25.46	27.32
	S/T	0.91	0.81	0.62	0.40	0.94	0.84	0.64	0.41	0.97	0.87	0.66	0.42	1.00	0.89	0.68	0.44	1.00	0.93	0.70	0.45	1.00	0.94	0.71	0.46
	ΔT	19	18	15	10	19	18	15	10	19	18	15	10	20	18	15	10	19	18	15	10	17	17	14	9
	kW	1.85	1.89	1.94	2.00	1.98	2.02	2.08	2.14	2.09	2.14	2.20	2.27	2.19	2.24	2.31	2.38	2.28	2.33	2.40	2.47	2.35	2.40	2.48	2.55
	Amps	6.5	6.6	6.8	7.1	7.0	7.1	7.4	7.6	7.5	7.7	8.0	8.3	8.0	8.2	8.5	8.8	8.5	8.8	9.0	9.4	9.0	9.3	9.6	9.9
	Hi PR	139	149	157	164	155	167	177	184	177	190	201	210	201	217	229	239	227	244	257	269	250	269	284	297
	Lo PR	65	69	75	80	68	73	80	85	71	76	83	88	75	80	87	92	78	83	91	97	81	86	94	100
	MBh	27.1	27.9	30.2	32.4	26.5	27.2	29.5	31.6	25.8	26.6	28.8	30.9	25.2	25.9	28.1	30.1	23.9	24.6	26.7	28.6	22.2	22.8	24.7	26.5
	S/T	0.87	0.78	0.59	0.38	0.90	0.81	0.61	0.39	0.92	0.83	0.62	0.40	0.95	0.85	0.64	0.41	0.99	0.88	0.67	0.43	1.00	0.89	0.67	0.43
	ΔT	20	18	15	10	20	19	15	11	20	19	15	11	20	19	15	11	20	19	15	11	19	17	14	10
kW	1.84	1.87	1.93	1.98	1.97	2.00	2.06	2.12	2.08	2.12	2.18	2.25	2.18	2.22	2.29	2.36	2.26	2.31	2.38	2.45	2.33	2.38	2.46	2.53	
Amps	6.4	6.6	6.8	7.0	6.9	7.1	7.3	7.6	7.5	7.7	7.9	8.2	8.0	8.2	8.4	8.7	8.5	8.7	9.0	9.3	9.0	9.2	9.5	9.8	
Hi PR	137	148	156	163	154	166	175	182	175	188	199	208	199	215	227	236	224	241	255	266	248	267	282	294	
Lo PR	64	68	75	79	68	72	79	84	70	75	82	87	74	79	86	92	78	83	90	96	80	85	93	99	
MBh	25.0	25.7	27.9	29.9	24.4	25.1	27.2	29.2	23.8	24.5	26.6	28.5	23.3	23.9	25.9	27.8	22.1	22.8	24.6	26.4	20.5	21.1	22.8	24.5	
S/T	0.84	0.75	0.57	0.36	0.87	0.78	0.59	0.38	0.89	0.80	0.60	0.39	0.92	0.82	0.62	0.40	0.95	0.85	0.65	0.42	0.96	0.86	0.65	0.42	
ΔT	20	19	15	11	21	19	16	11	21	19	16	11	21	19	16	11	21	19	15	11	19	18	14	10	
kW	1.80	1.83	1.88	1.94	1.92	1.96	2.02	2.08	2.03	2.07	2.13	2.20	2.13	2.17	2.24	2.30	2.21	2.25	2.32	2.40	2.28	2.33	2.40	2.47	
Amps	6.2	6.4	6.6	6.8	6.7	6.9	7.1	7.4	7.3	7.5	7.7	8.0	7.8	7.9	8.2	8.5	8.2	8.4	8.7	9.0	8.7	8.9	9.2	9.6	
Hi PR	133	143	151	158	149	161	170	177	170	183	193	201	193	208	220	229	218	234	247	258	240	259	273	285	
Lo PR	62	66	72	77	66	70	76	81	68	73	79	85	72	76	83	89	75	80	87	93	78	83	90	96	

Shaded area is ACCA (TVA) conditions IDB: Entering Indoor Dry Bulb Temperature kW=Total system power Amps = outdoor unit amps (comp.+fan)
 High and low pressures are measured at the liquid and suction service valves. Design Subcooling, 9 ±3 °F @ the liquid service valve, ARI 95 test conditions

EXPANDED COOLING DATA — GSH140301A* / CA*F3636B6A* +TXV / MBR1200** -1 (CONT.)

IDB*	Outdoor Ambient Temperature																								
	65°F				75°F				85°F				95°F				105°F				115°F				
	59	63	67	71	59	63	67	71	59	63	67	71	59	63	67	71	59	63	67	71	59	63	67	71	
80	Entering Indoor Wet Bulb Temperature																								
	MBh	28.40	29.02	31.00	33.14	27.74	28.34	30.28	32.37	27.08	27.67	29.56	31.60	26.42	26.99	28.84	30.83	25.10	25.64	27.40	29.29	23.25	23.75	25.38	27.13
	S/T	1.00	0.94	0.76	0.57	1.00	0.97	0.79	0.59	1.00	1.00	0.81	0.61	1.00	1.00	0.84	0.63	1.00	1.00	0.87	0.65	1.00	1.00	0.88	0.65
	ΔT	21	21	18	14	20	21	18	14	20	20	18	15	19	19	18	15	19	19	18	14	18	18	17	13
	KW	1.86	1.90	1.95	2.01	1.99	2.03	2.09	2.16	2.11	2.15	2.22	2.28	2.21	2.26	2.32	2.40	2.30	2.34	2.42	2.49	2.37	2.42	2.50	2.57
	Amps	6.5	6.7	6.9	7.1	7.0	7.2	7.4	7.7	7.6	7.8	8.0	8.3	8.1	8.3	8.6	8.9	8.6	8.8	9.1	9.5	9.1	9.3	9.6	10.0
	Hi PR	140	151	159	166	157	169	178	186	179	192	203	212	203	219	231	241	229	246	260	271	253	272	287	300
	Lo PR	65	70	76	81	69	74	80	86	72	76	84	89	76	80	88	93	79	84	92	98	82	87	95	101
	MBh	27.6	28.2	30.1	32.2	26.9	27.5	29.4	31.4	26.3	26.9	28.7	30.7	25.6	26.2	28.0	29.9	24.4	24.9	26.6	28.4	22.6	23.1	24.6	26.3
	S/T	0.96	0.89	0.73	0.54	0.99	0.93	0.75	0.56	1.00	0.95	0.77	0.58	1.00	0.98	0.80	0.60	1.00	1.00	0.83	0.62	1.00	1.00	0.83	0.62
ΔT	22	21	19	15	23	22	19	15	22	22	19	15	22	22	19	15	21	21	19	15	19	20	18	14	
KW	1.85	1.89	1.94	2.00	1.98	2.02	2.08	2.14	2.09	2.14	2.20	2.27	2.19	2.24	2.31	2.38	2.28	2.33	2.40	2.47	2.35	2.40	2.48	2.55	
Amps	6.5	6.6	6.8	7.1	7.0	7.1	7.4	7.6	7.5	7.7	8.0	8.3	8.0	8.2	8.5	8.8	8.5	8.8	9.0	9.4	9.0	9.3	9.6	9.9	
Hi PR	139	149	157	164	156	167	177	184	177	190	201	210	201	217	229	239	227	244	258	269	250	269	285	297	
Lo PR	65	69	75	80	68	73	80	85	71	76	83	88	75	80	87	92	78	83	91	97	81	86	94	100	
MBh	25.4	26.0	27.8	29.7	24.9	25.4	27.1	29.0	24.3	24.8	26.5	28.3	23.7	24.2	25.8	27.6	22.5	23.0	24.6	26.2	20.8	21.3	22.7	24.3	
S/T	0.92	0.86	0.70	0.52	0.95	0.89	0.73	0.54	0.98	0.92	0.75	0.56	1.01	0.94	0.77	0.57	1.05	0.98	0.80	0.60	1.05	0.99	0.80	0.60	
ΔT	23	22	19	15	23	22	19	15	23	22	19	15	23	22	19	15	23	22	19	15	21	20	18	14	
KW	1.81	1.85	1.90	1.95	1.94	1.97	2.03	2.09	2.05	2.09	2.15	2.21	2.14	2.19	2.25	2.32	2.23	2.27	2.34	2.41	2.30	2.35	2.42	2.49	
Amps	6.3	6.4	6.6	6.9	6.8	6.9	7.2	7.4	7.3	7.5	7.8	8.0	7.8	8.0	8.3	8.6	8.3	8.5	8.8	9.1	8.8	9.0	9.3	9.6	
Hi PR	134	145	153	159	151	162	171	179	172	185	195	203	195	210	222	232	220	237	250	261	243	261	276	288	
Lo PR	63	67	73	78	66	71	77	82	69	73	80	85	73	77	84	90	76	81	88	94	79	84	91	97	
85	Entering Indoor Wet Bulb Temperature																								
	MBh	28.89	29.45	30.85	32.91	28.22	28.77	30.13	32.14	27.55	28.08	29.41	31.38	26.88	27.40	28.70	30.61	25.53	26.03	27.26	29.08	23.65	24.11	25.25	26.94
	S/T	1.00	1.00	0.91	0.74	1.00	1.00	0.94	0.77	1.00	1.00	0.97	0.79	1.00	1.00	1.00	0.81	1.00	1.00	1.00	0.84	1.00	1.00	1.00	0.85
	ΔT	22	22	21	18	21	22	22	19	21	21	22	19	20	21	22	19	19	20	21	19	18	18	19	17
	KW	1.88	1.91	1.97	2.03	2.01	2.05	2.11	2.17	2.13	2.17	2.23	2.30	2.23	2.27	2.34	2.42	2.31	2.36	2.44	2.51	2.39	2.44	2.52	2.60
	Amps	6.6	6.7	6.9	7.2	7.1	7.3	7.5	7.8	7.7	7.9	8.1	8.4	8.2	8.4	8.7	9.0	8.7	8.9	9.2	9.5	9.2	9.4	9.7	10.1
	Hi PR	141	152	161	168	159	171	180	188	180	194	205	214	205	221	234	244	231	249	263	274	255	275	290	303
	Lo PR	66	70	77	82	70	74	81	86	73	77	84	90	76	81	89	94	80	85	93	99	83	88	96	102
	MBh	28.1	28.6	29.9	32.0	27.4	27.9	29.3	31.2	26.7	27.3	28.6	30.5	26.1	26.6	27.9	29.7	24.8	25.3	26.5	28.2	23.0	23.4	24.5	26.2
	S/T	1.00	0.96	0.87	0.71	1.00	1.00	0.90	0.73	1.00	1.00	0.92	0.75	1.00	1.00	0.95	0.77	1.00	1.00	0.99	0.80	1.00	1.00	1.00	0.81
ΔT	24	23	22	19	23	24	22	19	23	23	22	19	22	23	23	20	21	22	22	19	20	20	21	18	
KW	1.86	1.90	1.95	2.01	1.99	2.03	2.09	2.16	2.11	2.15	2.22	2.28	2.21	2.26	2.32	2.40	2.30	2.34	2.42	2.49	2.37	2.42	2.50	2.57	
Amps	6.5	6.7	6.9	7.1	7.0	7.2	7.4	7.7	7.6	7.8	8.0	8.3	8.1	8.3	8.6	8.9	8.6	8.8	9.1	9.5	9.1	9.3	9.6	10.0	
Hi PR	140	151	159	166	157	169	178	186	179	192	203	212	203	219	231	241	229	246	260	271	253	272	287	300	
Lo PR	65	70	76	81	69	74	80	86	72	76	84	89	76	80	88	93	79	84	92	98	82	87	95	101	
MBh	25.9	26.4	27.6	29.5	25.3	25.8	27.0	28.8	24.7	25.2	26.4	28.1	24.1	24.6	25.7	27.4	22.9	23.3	24.4	26.1	21.2	21.6	22.6	24.1	
S/T	0.96	0.93	0.84	0.68	1.00	0.96	0.87	0.71	1.00	0.99	0.89	0.72	1.00	1.00	0.92	0.75	1.00	1.00	0.95	0.77	1.00	1.00	0.96	0.78	
ΔT	24	24	23	20	25	24	23	20	24	24	23	20	23	24	23	20	22	23	23	20	21	21	21	18	
KW	1.82	1.86	1.91	1.97	1.95	1.99	2.05	2.11	2.06	2.10	2.17	2.23	2.16	2.20	2.27	2.34	2.24	2.29	2.36	2.43	2.32	2.36	2.44	2.51	
Amps	6.4	6.5	6.7	6.9	6.8	7.0	7.2	7.5	7.4	7.6	7.8	8.1	7.9	8.1	8.4	8.7	8.4	8.6	8.9	9.2	8.9	9.1	9.4	9.7	
Hi PR	136	146	154	161	152	164	173	181	173	186	197	205	197	212	224	234	222	239	252	263	245	264	279	291	
Lo PR	64	68	74	79	67	71	78	83	70	74	81	86	73	78	85	91	77	82	89	95	79	84	92	98	

Shaded area is ARI Rating Conditions IDB: Entering Indoor Dry Bulb Temperature kW=Total system power Amps = outdoor unit amps (comp.+fan)
 High and low pressures are measured at the liquid and suction service valves. Design Subcooling, 9 ±3 °F @ the liquid service valve, ARI 95 test conditions

EXPANDED COOLING DATA — GSH140361A* / CA*F4860C6A* +TXV / MBR1600** -1

IDB*	Airflow	Outdoor Ambient Temperature																							
		65°F				75°F				85°F				95°F				105°F				115°F			
		59	63	67	71	59	63	67	71	59	63	67	71	59	63	67	71	59	63	67	71	59	63	67	71
70	MBh	33.9	35.1	38.5	-	33.1	34.3	37.6	-	32.3	33.5	36.7	-	31.5	32.7	35.8	-	30.0	31.1	34.0	-	27.8	28.8	31.5	-
	S/T	0.71	0.60	0.41	-	0.74	0.62	0.43	-	0.76	0.63	0.44	-	0.78	0.65	0.45	-	0.81	0.68	0.47	-	0.82	0.68	0.47	-
	ΔT	19	16	12	-	19	16	12	-	19	16	12	-	19	16	12	-	19	16	12	-	17	15	11	-
	kW	2.32	2.37	2.44	-	2.49	2.54	2.61	-	2.63	2.69	2.77	-	2.76	2.82	2.91	-	2.87	2.93	3.02	-	2.96	3.03	3.12	-
	Amps	8.6	8.8	9.1	-	9.3	9.5	9.8	-	10.0	10.3	10.6	-	10.7	10.9	11.3	-	11.3	11.6	12.0	-	12.0	12.3	12.6	-
	Hi PR	138	148	157	-	155	167	176	-	176	189	200	-	201	216	228	-	226	243	256	-	249	268	283	-
	Lo PR	63	67	73	-	66	71	77	-	69	73	80	-	72	77	84	-	76	81	88	-	78	83	91	-
	MBh	32.9	34.1	37.4	-	32.2	33.3	36.5	-	31.4	32.5	35.6	-	30.6	31.7	34.8	-	29.1	30.2	33.0	-	26.9	27.9	30.6	-
	S/T	0.68	0.57	0.39	-	0.70	0.59	0.41	-	0.72	0.60	0.42	-	0.75	0.62	0.43	-	0.77	0.65	0.45	-	0.78	0.65	0.45	-
	ΔT	19	17	13	-	20	17	13	-	20	17	13	-	20	17	13	-	19	17	13	-	18	16	12	-
kW	2.31	2.35	2.42	-	2.47	2.52	2.59	-	2.61	2.67	2.75	-	2.74	2.80	2.88	-	2.85	2.91	3.00	-	2.94	3.00	3.10	-	
Amps	8.5	8.7	9.0	-	9.2	9.4	9.7	-	9.9	10.2	10.5	-	10.6	10.8	11.2	-	11.2	11.5	11.9	-	11.9	12.1	12.5	-	
Hi PR	137	147	155	-	153	165	174	-	174	188	198	-	199	214	226	-	223	240	254	-	247	266	280	-	
Lo PR	62	66	72	-	66	70	76	-	68	73	79	-	72	76	83	-	75	80	87	-	78	83	90	-	
MBh	30.4	31.5	34.5	-	29.7	30.8	33.7	-	29.0	30.0	32.9	-	28.3	29.3	32.1	-	26.9	27.8	30.5	-	24.9	25.8	28.2	-	
S/T	0.66	0.55	0.38	-	0.68	0.57	0.39	-	0.70	0.58	0.40	-	0.72	0.60	0.42	-	0.75	0.62	0.43	-	0.75	0.63	0.44	-	
ΔT	20	17	13	-	20	17	13	-	20	17	13	-	20	17	13	-	20	17	13	-	18	16	12	-	
kW	2.26	2.30	2.37	-	2.41	2.46	2.53	-	2.55	2.61	2.68	-	2.68	2.73	2.82	-	2.78	2.84	2.93	-	2.87	2.93	3.02	-	
Amps	8.3	8.5	8.8	-	9.0	9.2	9.4	-	9.7	9.9	10.2	-	10.3	10.5	10.9	-	10.9	11.2	11.5	-	11.5	11.8	12.2	-	
Hi PR	132	143	151	-	149	160	169	-	169	182	192	-	193	207	219	-	217	233	246	-	239	258	272	-	
Lo PR	60	64	70	-	64	68	74	-	66	70	77	-	69	74	81	-	73	77	85	-	75	80	87	-	

75	MBh	34.48	35.50	38.43	41.24	33.68	34.67	37.53	40.28	32.88	33.85	36.64	39.32	32.07	33.02	35.74	38.36	30.47	31.37	33.96	36.45	28.23	29.06	31.46	33.76
	S/T	0.81	0.72	0.55	0.35	0.84	0.75	0.57	0.37	0.86	0.77	0.58	0.38	0.89	0.80	0.60	0.39	0.92	0.83	0.62	0.40	0.93	0.83	0.63	0.41
	ΔT	21	20	16	11	22	20	16	11	22	20	16	11	22	20	17	11	22	20	16	11	20	19	15	10
	kW	2.34	2.39	2.46	2.53	2.51	2.56	2.63	2.71	2.65	2.71	2.79	2.88	2.78	2.84	2.93	3.02	2.89	2.95	3.05	3.14	2.99	3.05	3.15	3.25
	Amps	8.7	8.9	9.2	9.5	9.3	9.6	9.9	10.2	10.1	10.3	10.7	11.0	10.8	11.0	11.4	11.8	11.4	11.7	12.1	12.5	12.1	12.4	12.8	13.2
	Hi PR	139	150	158	165	156	168	178	185	178	191	202	211	203	218	230	240	228	245	259	270	252	271	286	298
	Lo PR	63	67	74	78	67	71	78	83	70	74	81	86	73	78	85	90	77	81	89	95	79	84	92	98
	MBh	33.5	34.5	37.3	40.0	32.7	33.7	36.4	39.1	31.9	32.9	35.6	38.2	31.1	32.1	34.7	37.2	29.6	30.5	33.0	35.4	27.4	28.2	30.5	32.8
	S/T	0.77	0.69	0.52	0.34	0.80	0.72	0.54	0.35	0.82	0.73	0.56	0.36	0.85	0.76	0.57	0.37	0.88	0.79	0.60	0.38	0.89	0.79	0.60	0.39
	ΔT	22	21	17	12	23	21	17	12	23	21	17	12	23	21	17	12	22	21	17	12	21	19	16	11
kW	2.32	2.37	2.44	2.51	2.49	2.54	2.61	2.69	2.63	2.69	2.77	2.85	2.76	2.82	2.91	3.00	2.87	2.93	3.02	3.12	2.97	3.03	3.12	3.22	
Amps	8.6	8.8	9.1	9.4	9.3	9.5	9.8	10.1	10.0	10.3	10.6	11.0	10.7	10.9	11.3	11.7	11.3	11.6	12.0	12.4	12.0	12.3	12.6	13.1	
Hi PR	138	148	157	164	155	167	176	184	176	189	200	209	201	216	228	238	226	243	256	267	249	268	283	295	
Lo PR	63	67	73	78	66	71	77	82	69	73	80	85	72	77	84	90	76	81	88	94	78	83	91	97	
MBh	30.9	31.8	34.4	37.0	30.2	31.1	33.6	36.1	29.5	30.3	32.8	35.2	28.7	29.59	32.0	34.4	27.3	28.1	30.4	32.7	25.3	26.0	28.2	30.3	
S/T	0.75	0.67	0.50	0.32	0.77	0.69	0.52	0.34	0.79	0.71	0.54	0.34	0.82	0.73	0.55	0.36	0.85	0.76	0.57	0.37	0.86	0.77	0.58	0.37	
ΔT	23	21	17	12	23	21	17	12	23	21	17	12	23	21	17	12	23	21	17	12	21	20	16	11	
kW	2.27	2.32	2.38	2.45	2.43	2.48	2.55	2.63	2.57	2.63	2.70	2.79	2.70	2.75	2.84	2.93	2.80	2.86	2.95	3.04	2.90	2.96	3.05	3.14	
Amps	8.4	8.6	8.8	9.2	9.0	9.2	9.5	9.9	9.8	10.0	10.3	10.7	10.4	10.6	11.0	11.4	11.0	11.3	11.6	12.1	11.7	11.9	12.3	12.8	
Hi PR	134	144	152	159	150	162	171	178	171	184	194	202	195	209	221	231	219	236	249	259	242	260	275	287	
Lo PR	61	65	71	75	64	68	75	80	67	71	78	83	70	75	82	87	74	78	85	91	76	81	88	94	

Shaded area is ACCA (TVA) conditions IDB: Entering Indoor Dry Bulb Temperature kW=Total system power Amps = outdoor unit amps (comp.+fan)
 High and low pressures are measured at the liquid and suction service valves. Design Subcooling, 9 ±3 °F @ the liquid service valve, ARI 95 test conditions

EXPANDED COOLING DATA — GSH140361A* / CA*F4860C6A* +TXV / MBR1600** -1 (CONT.)

IDB*	Airflow	Outdoor Ambient Temperature																							
		65°F				75°F				85°F				95°F				105°F				115°F			
		59	63	67	71	59	63	67	71	59	63	67	71	59	63	67	71	59	63	67	71	59	63	67	71
80	MBh	35.09	35.86	38.31	40.95	34.28	35.03	37.42	40.00	33.46	34.19	36.53	39.05	32.64	33.36	35.64	38.10	31.01	31.69	33.86	36.19	28.73	29.35	31.36	33.53
	S/T	0.89	0.83	0.68	0.51	0.92	0.86	0.70	0.53	0.94	0.89	0.72	0.54	1.00	0.91	0.74	0.56	1.00	0.95	0.77	0.58	1.00	0.96	0.78	0.58
	DT	24	23	20	16	24	23	20	16	24	23	20	16	25	23	20	16	24	23	20	16	22	22	19	15
	kW	2.36	2.40	2.47	2.55	2.53	2.58	2.65	2.74	2.67	2.73	2.81	2.90	2.81	2.86	2.95	3.05	2.92	2.98	3.07	3.17	3.01	3.08	3.17	3.28
	Amps	8.8	9.0	9.2	9.6	9.4	9.6	9.9	10.3	10.2	10.4	10.8	11.1	10.9	11.1	11.5	11.9	11.5	11.8	12.2	12.6	12.2	12.5	12.9	13.3
	Hi PR	141	151	160	167	158	170	179	187	180	193	204	213	205	220	233	242	230	248	262	273	254	274	289	301
	Lo PR	64	68	74	79	68	72	79	84	70	75	82	87	74	79	86	91	77	82	90	96	80	85	93	99
	MBh	34.1	34.8	37.2	39.8	33.3	34.0	36.3	38.8	32.5	33.2	35.5	37.9	31.7	32.4	34.6	37.0	30.1	30.8	32.9	35.1	27.9	28.5	30.4	32.5
	S/T	0.85	0.79	0.65	0.48	0.88	0.82	0.67	0.50	0.90	0.84	0.69	0.51	0.93	0.87	0.71	0.53	0.97	0.91	0.74	0.55	0.97	0.91	0.74	0.56
	DT	25	24	21	17	25	24	21	17	25	24	21	17	25	24	21	17	25	24	21	17	23	22	20	16
kW	2.34	2.39	2.46	2.53	2.51	2.56	2.63	2.71	2.65	2.71	2.79	2.88	2.78	2.84	2.93	3.02	2.89	2.95	3.05	3.14	2.99	3.05	3.15	3.25	
Amps	8.7	8.9	9.2	9.5	9.3	9.6	9.9	10.2	10.1	10.3	10.7	11.1	10.8	11.0	11.4	11.8	11.4	11.7	12.1	12.5	12.1	12.4	12.8	13.2	
Hi PR	139	150	158	165	156	168	178	185	178	191	202	211	203	218	230	240	228	245	259	270	252	271	286	298	
Lo PR	63	67	74	78	67	71	78	83	70	74	81	86	73	78	85	90	77	82	89	95	79	84	92	98	
MBh	31.4	32.1	34.3	36.7	30.7	31.4	33.5	35.8	30.0	30.6	32.7	35.0	29.3	29.9	31.9	34.1	27.8	28.4	30.3	32.4	25.7	26.3	28.1	30.0	
S/T	0.82	0.77	0.62	0.47	0.85	0.79	0.65	0.48	0.87	0.81	0.66	0.50	0.90	0.84	0.68	0.51	0.93	0.87	0.71	0.53	0.94	0.88	0.72	0.54	
DT	25	24	21	17	26	25	21	17	26	25	21	17	26	25	22	17	26	24	21	17	24	23	20	16	
kW	2.29	2.33	2.40	2.47	2.45	2.50	2.57	2.65	2.59	2.65	2.73	2.81	2.72	2.77	2.86	2.95	2.83	2.88	2.97	3.07	2.92	2.98	3.07	3.17	
Amps	8.5	8.7	8.9	9.2	9.1	9.3	9.6	9.9	9.8	10.1	10.4	10.8	10.5	10.7	11.1	11.5	11.1	11.4	11.7	12.2	11.8	12.0	12.4	12.9	
Hi PR	135	145	154	160	152	163	172	180	173	186	196	204	196	211	223	233	221	238	251	262	244	263	278	289	
Lo PR	61	65	71	76	65	69	75	80	68	72	78	83	71	75	82	88	74	79	86	92	77	82	89	95	

85	MBh	35.71	36.40	38.12	40.67	34.88	35.55	37.23	39.72	34.04	34.70	36.35	38.78	33.21	33.86	35.46	37.83	31.55	32.16	33.69	35.94	29.23	29.79	31.20	33.23
	S/T	0.93	0.90	0.81	0.66	0.97	0.93	0.84	0.68	0.99	0.96	0.86	0.70	1.00	0.99	0.89	0.72	1.00	1.00	0.92	0.75	1.00	1.00	0.93	0.76
	DT	26	25	24	21	26	25	24	21	26	25	24	21	25	26	24	21	24	25	24	21	22	23	22	19
	kW	2.38	2.42	2.49	2.57	2.55	2.60	2.67	2.76	2.70	2.75	2.83	2.92	2.83	2.89	2.98	3.07	2.94	3.00	3.10	3.19	3.04	3.10	3.20	3.30
	Amps	8.8	9.0	9.3	9.6	9.5	9.7	10.0	10.4	10.3	10.5	10.9	11.2	11.0	11.2	11.6	12.0	11.6	11.9	12.3	12.7	12.3	12.6	13.0	13.5
	Hi PR	142	153	162	169	160	172	181	189	181	195	206	215	207	222	235	245	232	250	264	276	257	276	292	304
	Lo PR	65	69	75	80	68	73	79	84	71	76	82	88	75	79	87	92	78	83	91	97	81	86	94	100
	MBh	34.7	35.3	37.0	39.5	33.9	34.5	36.1	38.6	33.1	33.7	35.3	37.6	32.2	32.9	34.4	36.7	30.6	31.2	32.7	34.9	28.4	28.9	30.3	32.3
	S/T	0.89	0.86	0.77	0.63	0.92	0.89	0.80	0.65	0.94	0.91	0.82	0.67	0.97	0.94	0.85	0.69	1.00	0.98	0.88	0.71	1.00	0.98	0.89	0.72
	DT	27	26	25	21	27	26	25	22	27	27	25	22	27	27	25	22	26	26	25	22	24	25	23	20
kW	2.36	2.40	2.47	2.55	2.53	2.58	2.65	2.74	2.67	2.73	2.81	2.90	2.81	2.86	2.95	3.05	2.92	2.98	3.07	3.17	3.01	3.08	3.17	3.28	
Amps	8.8	9.0	9.2	9.6	9.4	9.6	9.9	10.3	10.2	10.4	10.8	11.1	10.9	11.1	11.5	11.9	11.5	11.8	12.2	12.6	12.2	12.5	12.9	13.3	
Hi PR	141	151	160	167	158	170	179	187	180	193	204	213	205	220	233	242	230	248	262	273	254	274	289	301	
Lo PR	64	68	74	79	68	72	79	84	70	75	82	87	74	79	86	91	77	82	90	96	80	85	93	99	
MBh	32.0	32.6	34.2	36.4	31.3	31.9	33.4	35.6	30.5	31.1	32.6	34.7	29.8	30.3	31.8	33.9	28.3	28.8	30.2	32.2	26.2	26.7	28.0	29.8	
S/T	0.86	0.83	0.75	0.61	0.89	0.86	0.77	0.63	0.91	0.88	0.79	0.64	0.94	0.91	0.82	0.66	0.98	0.94	0.85	0.69	0.98	0.95	0.86	0.70	
DT	27	27	25	22	27	27	25	22	27	27	25	22	28	27	26	22	27	27	25	22	25	25	24	20	
kW	2.31	2.35	2.42	2.49	2.47	2.52	2.59	2.67	2.61	2.67	2.75	2.83	2.74	2.80	2.88	2.97	2.85	2.91	3.00	3.09	2.94	3.00	3.10	3.20	
Amps	8.5	8.7	9.0	9.3	9.2	9.4	9.7	10.0	9.9	10.2	10.5	10.9	10.6	10.8	11.2	11.6	11.2	11.5	11.9	12.3	11.9	12.1	12.5	13.0	
Hi PR	137	147	155	162	153	165	174	182	174	188	198	207	198	214	226	235	223	240	254	265	247	265	280	292	
Lo PR	62	66	72	77	66	70	76	81	68	73	79	84	72	76	83	89	75	80	87	93	78	83	90	96	

Shaded area is ARI Rating Conditions IDB: Entering Indoor Dry Bulb Temperature kW=Total system power Amps = outdoor unit amps (comp.+fan)
 High and low pressures are measured at the liquid and suction service valves. Design Subcooling, 9 ±3 °F @ the liquid service valve, ARI 95 test conditions

EXPANDED COOLING DATA — GSH140421A* / CA*F4860D6A*+TXV / MBR2000** -1

IDB*	Airflow	Outdoor Ambient Temperature																							
		65°F				75°F				85°F				95°F				105°F				115°F			
		59	63	67	71	59	63	67	71	59	63	67	71	59	63	67	71	59	63	67	71	59	63	67	71
70	MBh	38.8	40.2	44.1	-	37.9	39.3	43.0	-	37.0	38.3	42.0	-	36.1	37.4	41.0	-	34.3	35.5	38.9	-	31.8	32.9	36.1	-
	S/T	0.78	0.66	0.45	-	0.81	0.68	0.47	-	0.83	0.70	0.48	-	0.86	0.72	0.50	-	0.89	0.75	0.52	-	0.90	0.75	0.52	-
	ΔT	18	15	12	-	18	16	12	-	18	16	12	-	18	16	12	-	18	15	12	-	17	14	11	-
	kW	2.58	2.63	2.71	-	2.76	2.82	2.90	-	2.92	2.98	3.07	-	3.06	3.13	3.22	-	3.18	3.25	3.35	-	3.29	3.35	3.46	-
	Amps	3.1	3.4	3.7	-	3.9	4.1	4.4	-	4.7	5.0	5.3	-	5.4	5.7	6.1	-	6.1	6.4	6.8	-	6.9	7.2	7.6	-
	Hi PR	136	146	155	-	153	164	173	-	174	187	197	-	198	213	225	-	222	239	253	-	246	265	279	-
	Lo PR	63	67	73	-	67	71	77	-	69	74	80	-	73	77	84	-	76	81	89	-	79	84	92	-
	MBh	37.7	39.0	42.8	-	36.8	38.1	41.8	-	35.9	37.2	40.8	-	35.0	36.3	39.8	-	33.3	34.5	37.8	-	30.8	32.0	35.0	-
	S/T	0.75	0.63	0.43	-	0.78	0.65	0.45	-	0.80	0.66	0.46	-	0.82	0.69	0.48	-	0.85	0.71	0.49	-	0.86	0.72	0.50	-
	ΔT	19	16	12	-	19	16	12	-	19	16	12	-	19	16	12	-	19	16	12	-	17	15	11	-
kW	2.57	2.62	2.69	-	2.74	2.80	2.88	-	2.90	2.96	3.05	-	3.04	3.10	3.20	-	3.16	3.22	3.32	-	3.26	3.33	3.43	-	
Amps	3.1	3.3	3.6	-	3.8	4.0	4.3	-	4.6	4.9	5.2	-	5.3	5.6	6.0	-	6.0	6.3	6.7	-	6.7	7.0	7.5	-	
Hi PR	135	145	153	-	151	163	172	-	172	185	195	-	196	211	223	-	220	237	250	-	243	262	277	-	
Lo PR	62	66	73	-	66	70	77	-	69	73	80	-	72	77	84	-	75	80	88	-	78	83	91	-	
MBh	34.8	36.0	39.5	-	34.0	35.2	38.6	-	33.2	34.4	37.7	-	32.3	33.5	36.7	-	30.7	31.9	34.9	-	28.5	29.5	32.3	-	
S/T	0.72	0.60	0.42	-	0.75	0.62	0.43	-	0.77	0.64	0.44	-	0.79	0.66	0.46	-	0.82	0.69	0.48	-	0.83	0.69	0.48	-	
ΔT	19	16	12	-	19	17	13	-	19	17	13	-	19	17	13	-	19	16	12	-	18	15	12	-	
kW	2.51	2.56	2.63	-	2.68	2.74	2.82	-	2.84	2.89	2.98	-	2.97	3.03	3.12	-	3.09	3.15	3.24	-	3.18	3.25	3.35	-	
Amps	2.8	3.0	3.3	-	3.5	3.7	4.1	-	4.3	4.6	4.9	-	5.0	5.3	5.6	-	5.7	6.0	6.4	-	6.4	6.7	7.1	-	
Hi PR	131	141	148	-	147	158	167	-	167	179	190	-	190	204	216	-	214	230	243	-	236	254	268	-	
Lo PR	61	64	70	-	64	68	74	-	67	71	77	-	70	74	81	-	73	78	85	-	76	81	88	-	

75	MBh	39.46	40.63	43.98	47.20	38.54	39.69	42.96	46.10	37.63	38.74	41.93	45.01	36.71	37.80	40.91	43.91	34.87	35.91	38.86	41.71	32.30	33.26	36.00	38.64
	S/T	0.89	0.80	0.60	0.39	0.92	0.83	0.63	0.40	0.95	0.85	0.64	0.41	0.98	0.88	0.66	0.43	1.00	0.91	0.69	0.44	1.00	0.92	0.69	0.45
	ΔT	21	19	16	11	21	19	16	11	21	19	16	11	21	19	16	11	20	19	16	11	19	18	15	10
	kW	2.60	2.65	2.73	2.81	2.79	2.84	2.92	3.01	2.95	3.01	3.10	3.19	3.09	3.15	3.25	3.35	3.21	3.27	3.38	3.48	3.31	3.38	3.49	3.60
	Amps	3.2	3.4	3.7	4.1	4.0	4.2	4.5	4.9	4.8	5.1	5.4	5.8	5.5	5.8	6.2	6.6	6.3	6.5	7.0	7.4	7.0	7.3	7.7	8.2
	Hi PR	137	148	156	163	154	166	175	183	175	189	199	208	200	215	227	237	225	242	255	266	248	267	282	294
	Lo PR	64	68	74	79	67	72	78	83	70	74	81	87	73	78	85	91	77	82	89	95	80	85	93	99
	MBh	38.3	39.4	42.7	45.8	37.4	38.5	41.7	44.8	36.5	37.6	40.7	43.7	35.6	36.7	39.7	42.6	33.9	34.9	37.7	40.5	31.4	32.3	35.0	37.5
	S/T	0.85	0.76	0.58	0.37	0.88	0.79	0.60	0.38	0.90	0.81	0.61	0.39	0.93	0.83	0.63	0.41	0.97	0.87	0.66	0.42	0.98	0.87	0.66	0.43
	ΔT	21	20	16	11	22	20	16	11	22	20	16	11	22	20	16	11	22	20	16	11	20	19	15	10
kW	2.58	2.63	2.71	2.79	2.76	2.82	2.90	2.99	2.92	2.98	3.07	3.17	3.06	3.13	3.22	3.32	3.18	3.25	3.35	3.45	3.29	3.36	3.46	3.57	
Amps	3.1	3.4	3.7	4.0	3.9	4.1	4.4	4.8	4.7	5.0	5.3	5.7	5.4	5.7	6.1	6.5	6.1	6.4	6.8	7.3	6.9	7.2	7.6	8.1	
Hi PR	136	146	155	161	153	164	174	181	174	187	197	206	198	213	225	234	223	239	253	264	246	265	279	291	
Lo PR	63	67	73	78	67	71	77	82	69	74	80	86	73	77	84	90	76	81	89	94	79	84	92	98	
MBh	35.4	36.4	39.4	42.3	34.5	35.6	38.5	41.3	33.7	34.7	37.6	40.3	32.9	33.87	36.7	39.3	31.3	32.2	34.8	37.4	28.9	29.8	32.3	34.6	
S/T	0.82	0.73	0.56	0.36	0.85	0.76	0.58	0.37	0.87	0.78	0.59	0.38	0.90	0.81	0.61	0.39	0.93	0.84	0.63	0.41	0.94	0.84	0.64	0.41	
ΔT	22	20	16	11	22	20	17	11	22	20	17	11	22	20	17	12	22	20	17	11	20	19	15	11	
kW	2.53	2.58	2.65	2.73	2.70	2.76	2.84	2.92	2.86	2.91	3.00	3.09	2.99	3.05	3.15	3.24	3.11	3.17	3.27	3.37	3.21	3.28	3.38	3.48	
Amps	2.9	3.1	3.4	3.7	3.6	3.8	4.1	4.5	4.4	4.7	5.0	5.4	5.1	5.4	5.8	6.2	5.8	6.1	6.5	7.0	6.5	6.8	7.2	7.7	
Hi PR	132	142	150	156	148	159	168	176	168	181	191	200	192	206	218	227	216	232	245	256	238	257	271	283	
Lo PR	61	65	71	76	65	69	75	80	67	71	78	83	71	75	82	87	74	79	86	91	76	81	89	95	

Shaded area is ACCA (TVA) conditions IDB: Entering Indoor Dry Bulb Temperature kW=Total system power Amps = outdoor unit amps (comp.+fan)
 High and low pressures are measured at the liquid and suction service valves. Design Subcooling, 9 ±3 °F @ the liquid service valve, ARI 95 test conditions

EXPANDED COOLING DATA — GSH140421A* / CA*F4860D6A*+TXV / MBR2000** -1 (CONT.)

IDB*		Outdoor Ambient Temperature																								
		65°F				75°F				85°F				95°F				105°F				115°F				
		59	63	67	71	59	63	67	71	59	63	67	71	59	63	67	71	59	63	67	71	59	63	67	71	
		Entering Indoor Wet Bulb Temperature																								
1575	Airflow	59	63	67	71	59	63	67	71	59	63	67	71	59	63	67	71	59	63	67	71	59	63	67	71	
	MBh	40.16	41.04	43.85	46.87	39.23	40.09	42.83	45.78	38.30	39.13	41.81	44.69	37.36	38.18	40.79	43.60	35.49	36.27	38.75	41.42	32.88	33.60	35.89	38.37	
	S/T	1.00	0.92	0.75	0.56	1.00	0.95	0.77	0.58	1.00	1.00	0.79	0.59	1.00	1.00	0.82	0.61	1.00	1.00	0.85	0.64	1.00	1.00	0.86	0.64	
	ΔT	23	22	19	15	23	22	19	15	22	23	19	15	22	22	20	16	21	21	19	15	19	20	18	14	
	kW	2.62	2.67	2.75	2.83	2.81	2.86	2.95	3.03	2.97	3.03	3.12	3.22	3.11	3.18	3.27	3.37	3.23	3.30	3.40	3.51	3.34	3.41	3.51	3.63	
	Amps	3.3	3.5	3.8	4.2	4.0	4.3	4.6	5.0	4.9	5.2	5.5	5.9	5.6	5.9	6.3	6.8	6.4	6.7	7.1	7.6	7.1	7.4	7.9	8.4	
	Hi PR	139	149	158	165	156	168	177	185	177	191	201	210	202	217	229	239	227	244	258	269	251	270	285	297	
	Lo PR	64	68	75	80	68	72	79	84	71	75	82	87	74	79	86	92	78	83	90	96	80	86	93	100	
	80	MBh	39.0	39.8	42.6	45.5	38.1	38.9	41.6	44.4	37.2	38.0	40.6	43.4	36.3	37.1	39.6	42.3	34.5	35.2	37.6	40.2	31.9	32.6	34.8	37.3
		S/T	0.93	0.88	0.71	0.53	0.97	0.91	0.74	0.55	0.99	0.93	0.76	0.57	1.00	0.96	0.78	0.58	1.00	1.00	0.81	0.61	1.00	1.00	0.82	0.61
ΔT		24	23	20	16	24	23	20	16	24	23	20	16	24	23	20	16	23	23	20	16	21	21	19	15	
kW		2.60	2.65	2.73	2.81	2.79	2.84	2.92	3.01	2.95	3.01	3.10	3.19	3.09	3.15	3.25	3.35	3.21	3.27	3.38	3.48	3.31	3.38	3.49	3.60	
Amps		3.2	3.4	3.7	4.1	4.0	4.2	4.5	4.9	4.8	5.1	5.4	5.8	5.5	5.8	6.2	6.6	6.3	6.6	7.0	7.4	7.0	7.3	7.7	8.2	
Hi PR		137	148	156	163	154	166	175	183	175	189	199	208	200	215	227	237	225	242	255	266	248	267	282	294	
Lo PR		64	68	74	79	67	72	78	83	70	74	81	87	73	78	85	91	77	82	89	95	80	85	93	99	
MBh		36.0	36.8	39.3	42.0	35.2	35.9	38.4	41.0	34.3	35.1	37.5	40.0	33.5	34.2	36.6	39.1	31.8	32.5	34.7	37.1	29.5	30.1	32.2	34.4	
S/T		0.90	0.84	0.69	0.51	0.93	0.87	0.71	0.53	0.96	0.90	0.73	0.55	0.99	0.93	0.75	0.56	1.02	0.96	0.78	0.58	1.03	0.97	0.79	0.59	
ΔT		24	23	20	16	25	24	21	16	25	24	21	16	25	24	21	17	24	23	20	16	23	22	19	15	
kW	2.55	2.60	2.67	2.75	2.72	2.78	2.86	2.94	2.88	2.94	3.02	3.12	3.02	3.08	3.17	3.27	3.13	3.20	3.30	3.40	3.23	3.30	3.40	3.51		
Amps	3.0	3.2	3.5	3.8	3.7	3.9	4.2	4.6	4.5	4.8	5.1	5.5	5.2	5.5	5.9	6.3	5.9	6.2	6.6	7.1	6.6	6.9	7.3	7.9		
Hi PR	133	143	152	158	150	161	170	177	170	183	193	202	194	209	220	230	218	235	248	258	241	259	274	286		
Lo PR	62	66	72	76	65	69	76	81	68	72	79	84	71	76	83	88	75	79	87	92	77	82	90	96		

1575	MBh	40.87	41.66	43.63	46.54	39.92	40.69	42.61	45.46	38.96	39.72	41.60	44.38	38.01	38.75	40.58	43.30	36.1	36.81	38.55	41.13	33.45	34.10	35.71	38.10
	S/T	1.00	0.99	0.89	0.72	1.00	1.00	0.93	0.75	1.00	1.00	0.95	0.77	1.00	1.00	0.98	0.80	1.00	1.00	0.83	0.63	1.00	1.00	0.83	0.63
	ΔT	24	24	23	20	23	24	23	20	23	23	23	20	22	23	23	20	21	21	23	20	20	20	21	19
	kW	2.64	2.69	2.77	2.85	2.83	2.88	2.97	3.06	2.99	3.05	3.14	3.24	3.14	3.20	3.30	3.40	3.26	3.33	3.43	3.54	3.36	3.44	3.54	3.65
	Amps	3.4	3.6	3.9	4.3	4.1	4.4	4.7	5.1	5.0	5.3	5.6	6.1	5.7	6.0	6.4	6.9	6.5	6.8	7.2	7.7	7.2	7.5	8.0	8.5
	Hi PR	140	151	159	166	157	169	179	186	179	193	203	212	204	219	232	242	229	247	261	272	253	273	288	300
	Lo PR	65	69	75	80	69	73	80	85	71	76	83	88	75	80	87	93	79	84	91	97	81	86	94	101
	MBh	39.7	40.4	42.4	45.2	38.8	39.5	41.4	44.1	37.8	38.6	40.4	43.1	36.9	37.6	39.4	42.0	35.1	35.7	37.4	39.9	32.5	33.1	34.7	37.0
	S/T	0.98	0.94	0.85	0.69	1.00	0.98	0.88	0.72	1.00	1.00	0.91	0.73	1.00	1.00	0.93	0.76	1.00	1.00	0.97	0.79	1.00	1.00	0.98	0.79
	ΔT	25	25	24	21	25	25	24	21	25	25	24	21	24	25	24	21	23	23	24	21	21	22	22	19
kW	2.62	2.67	2.75	2.83	2.81	2.86	2.95	3.03	2.97	3.03	3.12	3.22	3.11	3.18	3.27	3.37	3.23	3.30	3.40	3.51	3.34	3.41	3.51	3.63	
Amps	3.3	3.5	3.8	4.2	4.0	4.3	4.6	5.0	4.9	5.2	5.5	5.9	5.6	5.9	6.3	6.8	6.4	6.7	7.1	7.6	7.1	7.4	7.9	8.4	
Hi PR	139	149	158	165	156	168	177	185	177	191	201	210	202	217	229	239	227	244	258	269	251	270	285	297	
Lo PR	64	68	75	80	68	72	79	84	71	75	82	87	74	79	86	92	78	83	90	96	80	86	93	100	
85	MBh	36.6	37.3	39.1	41.7	35.8	36.5	38.2	40.7	34.9	35.6	37.3	39.8	34.1	34.7	36.4	38.8	32.4	33.0	34.5	36.9	30.0	30.6	32.0	34.1
	S/T	0.94	0.91	0.82	0.67	0.98	0.94	0.85	0.69	1.00	0.97	0.87	0.71	1.00	1.00	0.90	0.73	1.00	1.00	0.94	0.76	1.00	1.00	0.94	0.77
	ΔT	26	26	24	21	26	26	24	21	26	26	24	21	26	26	25	21	24	25	24	21	22	23	23	20
	kW	2.57	2.61	2.69	2.77	2.74	2.80	2.88	2.97	2.90	2.96	3.05	3.14	3.04	3.10	3.20	3.29	3.16	3.22	3.32	3.43	3.26	3.33	3.43	3.54
	Amps	3.1	3.3	3.6	3.9	3.8	4.0	4.3	4.7	4.6	4.9	5.2	5.6	5.3	5.6	6.0	6.4	6.0	6.3	6.7	7.2	6.7	7.0	7.5	8.0
	Hi PR	135	145	153	160	151	163	172	179	172	185	195	204	196	211	222	232	220	237	250	261	243	262	276	288
	Lo PR	62	66	72	77	66	70	77	82	69	73	80	85	72	77	84	89	75	80	88	93	78	83	91	97

Shaded area is ARI Rating Conditions IDB: Entering Indoor Dry Bulb Temperature kW=Total system power Amps = outdoor unit amps (comp.+fan)
 High and low pressures are measured at the liquid and suction service valves. Design Subcooling, 9 ±3 °F @ the liquid service valve, ARI 95 test conditions

EXPANDED COOLING DATA — GSH140481A* / CA*F4860D6A*+TXV / MBR2000**_1

IDB*	Airflow	Outdoor Ambient Temperature																							
		65°F				75°F				85°F				95°F				105°F				115°F			
		59	63	67	71	59	63	67	71	59	63	67	71	59	63	67	71	59	63	67	71	59	63	67	71
70	MBh	45.1	46.7	51.2	-	44.0	45.6	50.0	-	43.0	44.5	48.8	-	41.9	43.5	47.6	-	39.8	41.3	45.2	-	36.9	38.2	41.9	-
	S/T	0.74	0.62	0.43	-	0.77	0.64	0.44	-	0.79	0.66	0.46	-	0.81	0.68	0.47	-	0.84	0.70	0.49	-	0.85	0.71	0.49	-
	ΔT	18	15	12	-	18	15	12	-	18	15	12	-	18	16	12	-	18	15	12	-	17	14	11	-
	kW	3.09	3.15	3.25	-	3.31	3.38	3.48	-	3.51	3.58	3.69	-	3.68	3.76	3.88	-	3.83	3.91	4.03	-	3.96	4.04	4.17	-
	Amps	3.8	4.1	4.5	-	4.7	5.0	5.4	-	5.8	6.1	6.6	-	6.7	7.0	7.5	-	7.6	8.0	8.5	-	8.5	8.9	9.5	-
	Hi PR	130	140	148	-	146	157	166	-	166	179	188	-	189	203	215	-	213	229	242	-	235	253	267	-
	Lo PR	62	66	72	-	65	69	76	-	68	72	79	-	71	76	83	-	75	79	87	-	77	82	90	-
	MBh	43.8	45.4	49.7	-	42.7	44.3	48.5	-	41.7	43.2	47.4	-	40.7	42.2	46.2	-	38.7	40.1	43.9	-	35.8	37.1	40.7	-
	S/T	0.71	0.59	0.41	-	0.73	0.61	0.42	-	0.75	0.63	0.43	-	0.77	0.65	0.45	-	0.80	0.67	0.47	-	0.81	0.68	0.47	-
	ΔT	18	16	12	-	19	16	12	-	19	16	12	-	19	16	12	-	18	16	12	-	17	15	11	-
kW	3.07	3.13	3.22	-	3.29	3.36	3.46	-	3.48	3.56	3.66	-	3.65	3.73	3.85	-	3.80	3.88	4.00	-	3.93	4.01	4.14	-	
Amps	3.7	4.0	4.4	-	4.6	4.9	5.3	-	5.7	6.0	6.4	-	6.6	6.9	7.4	-	7.5	7.8	8.4	-	8.4	8.8	9.3	-	
Hi PR	129	138	146	-	144	155	164	-	164	177	187	-	187	201	213	-	210	226	239	-	233	250	264	-	
Lo PR	61	65	71	-	65	69	75	-	67	71	78	-	70	75	82	-	74	79	86	-	76	81	89	-	
MBh	40.4	41.9	45.9	-	39.5	40.9	44.8	-	38.5	39.9	43.7	-	37.6	38.9	42.7	-	35.7	37.0	40.5	-	33.1	34.3	37.5	-	
S/T	0.68	0.57	0.39	-	0.71	0.59	0.41	-	0.72	0.60	0.42	-	0.75	0.62	0.43	-	0.78	0.65	0.45	-	0.78	0.65	0.45	-	
ΔT	19	16	12	-	19	16	12	-	19	16	12	-	19	16	13	-	19	16	12	-	18	15	12	-	
kW	3.00	3.06	3.15	-	3.21	3.28	3.38	-	3.40	3.47	3.58	-	3.57	3.64	3.76	-	3.71	3.79	3.91	-	3.83	3.91	4.04	-	
Amps	3.4	3.7	4.0	-	4.3	4.6	5.0	-	5.3	5.6	6.0	-	6.2	6.5	7.0	-	7.1	7.4	7.9	-	7.9	8.3	8.8	-	
Hi PR	125	134	142	-	140	151	159	-	159	171	181	-	181	195	206	-	204	220	232	-	226	243	256	-	
Lo PR	59	63	69	-	63	67	73	-	65	69	76	-	68	73	79	-	72	76	83	-	74	79	86	-	

75	MBh	45.84	47.20	51.09	54.83	44.77	46.10	49.90	53.55	43.71	45.00	48.71	52.28	42.64	43.90	47.52	51.00	40.51	41.71	45.15	48.45	37.52	38.64	41.82	44.88
	S/T	0.84	0.75	0.57	0.37	0.87	0.78	0.59	0.38	0.89	0.80	0.61	0.39	0.92	0.83	0.63	0.40	0.96	0.86	0.65	0.42	0.97	0.86	0.65	0.42
	ΔT	20	19	15	11	21	19	16	11	21	19	16	11	21	19	16	11	20	19	15	11	19	18	14	10
	kW	3.12	3.18	3.27	3.37	3.34	3.41	3.51	3.62	3.54	3.61	3.72	3.84	3.71	3.79	3.91	4.03	3.86	3.94	4.07	4.20	3.99	4.07	4.20	4.34
	Amps	3.9	4.2	4.6	5.0	4.8	5.1	5.6	6.0	5.9	6.2	6.7	7.2	6.8	7.2	7.7	8.2	7.7	8.1	8.6	9.3	8.7	9.1	9.6	10.3
	Hi PR	131	141	149	156	147	159	167	175	168	180	190	199	191	205	217	226	215	231	244	254	237	255	270	281
	Lo PR	62	66	72	77	66	70	76	81	68	73	79	85	72	76	83	89	75	80	87	93	78	83	91	96
	MBh	44.5	45.8	49.6	53.2	43.5	44.8	48.4	52.0	42.4	43.7	47.3	50.8	41.4	42.6	46.1	49.5	39.3	40.5	43.8	47.0	36.4	37.5	40.6	43.6
	S/T	0.80	0.72	0.54	0.35	0.83	0.74	0.56	0.36	0.85	0.76	0.58	0.37	0.88	0.79	0.60	0.38	0.91	0.82	0.62	0.40	0.92	0.82	0.62	0.40
	ΔT	21	20	16	11	21	20	16	11	21	20	16	11	22	20	16	11	21	20	16	11	20	18	15	10
kW	3.09	3.15	3.25	3.34	3.31	3.38	3.48	3.59	3.51	3.58	3.69	3.81	3.68	3.76	3.88	4.00	3.83	3.91	4.03	4.16	3.96	4.04	4.17	4.31	
Amps	3.8	4.1	4.5	4.9	4.7	5.0	5.4	5.9	5.8	6.1	6.6	7.1	6.7	7.0	7.5	8.1	7.6	8.0	8.5	9.1	8.5	8.9	9.5	10.1	
Hi PR	130	140	148	154	146	157	166	173	166	179	189	197	189	203	215	224	213	229	242	252	235	253	267	278	
Lo PR	62	66	72	76	65	69	76	81	68	72	79	84	71	76	83	88	75	79	87	92	77	82	90	95	
MBh	41.1	42.3	45.8	49.1	40.1	41.3	44.7	48.0	39.2	40.3	43.7	46.8	38.2	39.3	42.6	45.7	36.3	37.4	40.5	43.4	33.6	34.6	37.5	40.2	
S/T	0.77	0.69	0.52	0.34	0.80	0.72	0.54	0.35	0.82	0.74	0.56	0.36	0.85	0.76	0.57	0.37	0.88	0.79	0.60	0.38	0.89	0.80	0.60	0.39	
ΔT	22	20	16	11	22	20	16	11	22	20	16	11	22	20	17	11	22	20	16	11	20	19	15	11	
kW	3.02	3.08	3.17	3.27	3.24	3.30	3.40	3.51	3.43	3.50	3.61	3.72	3.60	3.67	3.79	3.90	3.74	3.82	3.94	4.06	3.86	3.94	4.07	4.20	
Amps	3.5	3.8	4.1	4.6	4.4	4.7	5.1	5.6	5.4	5.7	6.2	6.7	6.3	6.6	7.1	7.7	7.2	7.6	8.1	8.6	8.1	8.4	9.0	9.6	
Hi PR	126	136	143	149	142	152	161	168	161	173	183	191	183	197	208	217	206	222	234	244	228	245	259	270	
Lo PR	60	64	70	74	63	67	73	78	66	70	76	81	69	73	80	85	72	77	84	89	75	80	87	93	

Shaded area is ACCA (TVA) conditions IDB: Entering Indoor Dry Bulb Temperature kW=Total system power Amps = outdoor unit amps (comp.+fan)
 High and low pressures are measured at the liquid and suction service valves. Design Subcooling, 9 ±3 °F @ the liquid service valve, ARI 95 test conditions

EXPANDED COOLING DATA — GSH140481A* / CA*F4860D6A*+TXV / MBR2000** -1 (CONT.)

IDB*	Airflow	Outdoor Ambient Temperature																							
		65°F				75°F				85°F				95°F				105°F				115°F			
		59	63	67	71	59	63	67	71	59	63	67	71	59	63	67	71	59	63	67	71	59	63	67	71
80	MBh	46.66	47.67	50.93	54.45	45.57	46.57	49.75	53.18	44.49	45.46	48.56	51.92	43.40	44.35	47.38	50.65	41.23	42.13	45.01	48.12	38.19	39.03	41.69	44.57
	S/T	0.92	0.87	0.70	0.53	0.96	0.90	0.73	0.55	1.00	0.92	0.75	0.56	1.00	0.95	0.77	0.58	1.00	1.00	0.80	0.60	1.00	1.00	0.81	0.60
	ΔT	23	22	19	15	23	22	19	15	23	22	19	15	23	22	19	15	22	22	19	15	20	21	18	14
	kW	3.14	3.20	3.30	3.40	3.37	3.43	3.54	3.65	3.57	3.64	3.75	3.87	3.74	3.82	3.94	4.07	3.89	3.97	4.10	4.23	4.02	4.11	4.24	4.38
	Amps	4.0	4.3	4.7	5.1	5.0	5.3	5.7	6.2	6.0	6.4	6.8	7.4	7.0	7.3	7.8	8.4	7.9	8.3	8.8	9.4	8.8	9.2	9.8	10.4
	Hi PR	133	143	151	157	149	160	169	176	169	182	192	201	193	207	219	228	217	233	246	257	240	258	272	284
	Lo PR	63	67	73	78	67	71	77	82	69	74	80	86	73	77	84	90	76	81	88	94	79	84	91	97
	MBh	45.3	46.3	49.5	52.9	44.2	45.2	48.3	51.6	43.2	44.1	47.2	50.4	42.1	43.1	46.0	49.2	40.0	40.9	43.7	46.7	37.1	37.9	40.5	43.3
	S/T	0.88	0.83	0.67	0.50	0.91	0.86	0.70	0.52	0.94	0.88	0.71	0.53	0.97	0.91	0.74	0.55	1.00	0.94	0.77	0.57	1.00	0.95	0.77	0.58
	ΔT	24	23	20	16	24	23	20	16	24	23	20	16	24	23	20	16	24	23	20	16	22	21	19	15
kW	3.12	3.18	3.27	3.37	3.34	3.41	3.51	3.62	3.54	3.61	3.72	3.84	3.71	3.79	3.91	4.03	3.86	3.94	4.07	4.20	3.99	4.08	4.20	4.34	
Amps	3.9	4.2	4.6	5.0	4.8	5.1	5.6	6.0	5.9	6.2	6.7	7.2	6.8	7.2	7.7	8.2	7.8	8.1	8.7	9.3	8.7	9.1	9.6	10.3	
Hi PR	131	141	149	156	147	159	167	175	168	180	190	199	191	205	217	226	215	231	244	255	237	255	270	281	
Lo PR	62	66	72	77	66	70	76	81	68	73	79	85	72	76	84	89	75	80	88	93	78	83	91	96	
MBh	41.8	42.7	45.6	48.8	40.8	41.7	44.6	47.7	39.9	40.7	43.5	46.5	38.9	39.7	42.5	45.4	36.9	37.8	40.3	43.1	34.2	35.0	37.4	39.9	
S/T	0.85	0.80	0.65	0.48	0.88	0.83	0.67	0.50	0.90	0.85	0.69	0.51	0.93	0.87	0.71	0.53	0.97	0.91	0.74	0.55	0.97	0.91	0.74	0.56	
ΔT	24	23	20	16	24	23	20	16	24	23	20	16	25	24	20	16	24	23	20	16	23	22	19	15	
kW	3.05	3.11	3.20	3.29	3.26	3.33	3.43	3.53	3.46	3.53	3.63	3.75	3.63	3.70	3.82	3.94	3.77	3.85	3.97	4.10	3.89	3.98	4.10	4.23	
Amps	3.6	3.9	4.2	4.7	4.5	4.8	5.2	5.7	5.5	5.9	6.3	6.8	6.4	6.8	7.3	7.8	7.3	7.7	8.2	8.8	8.2	8.6	9.1	9.8	
Hi PR	127	137	145	151	143	154	162	169	163	175	185	193	185	199	210	219	208	224	237	247	230	248	262	273	
Lo PR	60	64	70	75	64	68	74	79	66	71	77	82	70	74	81	86	73	78	85	90	76	80	88	94	

1744	MBh	47.47	48.39	50.68	54.07	46.37	47.26	49.50	52.81	45.26	46.14	48.32	51.55	44.16	45.01	47.14	50.29	41.95	42.76	44.79	47.78	38.86	39.61	41.49	44.26
	S/T	0.97	0.93	0.84	0.68	1.00	0.97	0.87	0.71	1.00	0.99	0.90	0.73	1.00	1.00	0.92	0.75	1.00	1.00	0.96	0.78	1.00	1.00	0.97	0.79
	ΔT	24	24	23	19	24	24	23	20	24	24	23	20	23	24	23	20	22	23	23	20	20	21	21	18
	kW	3.16	3.23	3.32	3.42	3.39	3.46	3.57	3.68	3.59	3.67	3.78	3.90	3.77	3.85	3.97	4.10	3.92	4.01	4.13	4.27	4.05	4.14	4.27	4.41
	Amps	4.1	4.4	4.8	5.3	5.1	5.4	5.8	6.3	6.2	6.5	7.0	7.5	7.1	7.5	8.0	8.5	8.0	8.4	9.0	9.6	9.0	9.4	9.9	10.6
	Hi PR	134	144	152	159	150	162	171	178	171	184	194	203	195	210	221	231	219	236	249	260	242	260	275	287
	Lo PR	64	68	74	79	67	71	78	83	70	74	81	86	73	78	85	91	77	82	89	95	79	85	92	98
	MBh	46.1	47.0	49.2	52.5	45.0	45.9	48.1	51.3	43.9	44.8	46.9	50.1	42.9	43.7	45.8	48.8	40.7	41.5	43.5	46.4	37.7	38.5	40.3	43.0
	S/T	0.92	0.89	0.80	0.65	0.96	0.92	0.83	0.68	0.98	0.95	0.85	0.69	1.00	0.98	0.88	0.72	1.00	1.00	0.92	0.74	1.00	1.00	0.92	0.75
	ΔT	25	25	23	20	26	25	24	21	26	25	24	21	25	25	24	21	24	25	24	20	22	23	22	19
kW	3.14	3.20	3.30	3.40	3.37	3.43	3.54	3.65	3.57	3.64	3.75	3.87	3.74	3.82	3.94	4.07	3.89	3.97	4.10	4.23	4.02	4.11	4.24	4.38	
Amps	4.0	4.3	4.7	5.1	5.0	5.3	5.7	6.2	6.0	6.4	6.8	7.4	7.0	7.3	7.8	8.4	7.9	8.3	8.8	9.4	8.8	9.2	9.8	10.4	
Hi PR	133	143	151	157	149	160	169	176	169	182	192	201	193	207	219	228	217	233	246	257	240	258	272	284	
Lo PR	63	67	73	78	67	71	77	82	69	74	80	86	73	77	84	90	76	81	88	94	79	84	91	97	
MBh	42.5	43.4	45.4	48.5	41.5	42.4	44.4	47.3	40.6	41.3	43.3	46.2	39.6	40.3	42.2	45.1	37.6	38.3	40.1	42.8	34.8	35.5	37.2	39.7	
S/T	0.89	0.86	0.78	0.63	0.92	0.89	0.80	0.65	0.95	0.91	0.82	0.67	0.98	0.94	0.85	0.69	1.00	0.98	0.88	0.72	1.00	0.99	0.89	0.72	
ΔT	26	25	24	21	26	26	24	21	26	26	24	21	26	26	24	21	25	25	24	21	24	24	22	19	
kW	3.07	3.13	3.22	3.32	3.29	3.35	3.46	3.56	3.48	3.55	3.66	3.78	3.65	3.73	3.85	3.97	3.80	3.88	4.00	4.13	3.93	4.01	4.14	4.27	
Amps	3.7	4.0	4.4	4.8	4.6	4.9	5.3	5.8	5.7	6.0	6.4	6.9	6.6	6.9	7.4	7.9	7.5	7.8	8.3	8.9	8.4	8.7	9.3	9.9	
Hi PR	129	138	146	152	144	155	164	171	164	177	187	195	187	201	212	222	210	226	239	249	232	250	264	275	
Lo PR	61	65	71	76	65	69	75	80	67	71	78	83	70	75	82	87	74	79	86	91	76	81	89	94	

Shaded area is ARI Rating Conditions IDB: Entering Indoor Dry Bulb Temperature kW= Total system power Amps = outdoor unit amps (comp.+fan)
 High and low pressures are measured at the liquid and suction service valves. Design Subcooling, 9 ±3 °F @ the liquid service valve, ARI 95 test conditions

EXPANDED COOLING DATA — GSH140601A* / CA*F4860D6A* +TXV / MBR2000**_1

IDB*	Airflow	Outdoor Ambient Temperature																								
		65°F				75°F				85°F				95°F				105°F				115°F				
		59	63	67	71	59	63	67	71	59	63	67	71	59	63	67	71	59	63	67	71	59	63	67	71	
70	MBh	54.4	56.4	61.8	-	53.1	55.1	60.3	-	51.9	53.7	58.9	-	50.6	52.4	57.5	-	48.1	49.8	54.6	-	44.5	46.1	50.6	-	
		S/T	0.76	0.64	0.44	-	0.79	0.66	0.46	-	0.81	0.68	0.47	-	0.84	0.70	0.48	-	0.87	0.73	0.50	-	0.88	0.73	0.51	-
	2081	ΔT	18	16	12	-	19	16	12	-	19	16	12	-	19	16	12	-	18	16	12	-	17	15	11	-
		kW	3.32	3.39	3.49	-	3.57	3.65	3.77	-	3.80	3.88	4.01	-	4.00	4.09	4.22	-	4.17	4.26	4.40	-	4.31	4.41	4.56	-
	Amps	12.1	12.4	12.8	-	13.1	13.4	13.9	-	14.2	14.6	15.1	-	15.2	15.6	16.1	-	16.2	16.6	17.2	-	17.2	17.6	18.2	-	
		Hi PR	132	142	150	-	148	160	169	-	169	182	192	-	192	207	218	-	216	233	246	-	239	257	271	-
	Lo PR	59	63	69	-	63	67	73	-	65	69	76	-	69	73	80	-	72	76	83	-	74	79	86	-	
		MBh	52.8	54.7	60.0	-	51.6	53.5	58.6	-	50.3	52.2	57.2	-	49.1	50.9	55.8	-	46.7	48.4	53.0	-	43.2	44.8	49.1	-
	S/T	0.73	0.61	0.42	-	0.75	0.63	0.44	-	0.77	0.65	0.45	-	0.80	0.67	0.46	-	0.83	0.69	0.48	-	0.84	0.70	0.48	-	
		ΔT	19	17	13	-	19	17	13	-	19	17	13	-	19	17	13	-	19	17	13	-	18	16	12	-
kW	3.29	3.36	3.47	-	3.54	3.62	3.74	-	3.77	3.85	3.98	-	3.97	4.05	4.19	-	4.13	4.23	4.37	-	4.28	4.37	4.52	-		
	Amps	12.0	12.3	12.7	-	13.0	13.3	13.7	-	14.1	14.5	14.9	-	15.1	15.5	16.0	-	16.1	16.5	17.0	-	17.1	17.5	18.1	-	
Hi PR	131	141	149	-	147	158	167	-	167	180	190	-	190	205	216	-	214	230	243	-	236	254	269	-		
	Lo PR	59	63	68	-	62	66	72	-	65	69	75	-	68	72	79	-	71	76	83	-	74	78	85	-	
MBh	48.7	50.5	55.3	-	47.6	49.3	54.1	-	46.5	48.2	52.8	-	45.3	47.0	51.5	-	43.1	44.6	48.9	-	39.9	41.4	45.3	-		
	S/T	0.70	0.59	0.41	-	0.73	0.61	0.42	-	0.75	0.62	0.43	-	0.77	0.64	0.45	-	0.80	0.67	0.46	-	0.81	0.67	0.47	-	
ΔT	19	17	13	-	20	17	13	-	20	17	13	-	20	17	13	-	20	17	13	-	18	16	12	-		
	kW	3.21	3.28	3.38	-	3.46	3.53	3.65	-	3.68	3.76	3.88	-	3.87	3.95	4.08	-	4.03	4.12	4.25	-	4.17	4.26	4.40	-	
Amps	11.7	11.9	12.3	-	12.6	12.9	13.3	-	13.7	14.1	14.5	-	14.7	15.0	15.5	-	15.6	16.0	16.6	-	16.6	17.0	17.6	-		
	Hi PR	127	137	144	-	142	153	162	-	162	174	184	-	185	199	210	-	208	223	236	-	229	247	261	-	
Lo PR	57	61	66	-	60	64	70	-	63	67	73	-	66	70	76	-	69	73	80	-	71	76	83	-		

75	MBh	55.31	56.94	61.64	66.15	54.02	55.62	60.20	64.61	52.73	54.30	58.77	63.08	51.45	52.97	57.34	61.54	48.88	50.32	54.47	58.46	45.27	46.61	50.46	54.15	
		S/T	0.87	0.78	0.59	0.38	0.90	0.80	0.61	0.39	0.92	0.82	0.62	0.40	0.95	0.85	0.64	0.41	0.99	0.88	0.67	0.43	1.00	0.89	0.67	0.43
	2081	ΔT	21	20	16	11	21	20	16	11	21	20	16	11	22	20	16	11	21	20	16	11	20	18	15	10
		kW	3.34	3.42	3.52	3.64	3.60	3.68	3.80	3.92	3.83	3.91	4.04	4.18	4.03	4.12	4.26	4.40	4.20	4.30	4.44	4.59	4.35	4.45	4.60	4.75
	Amps	12.2	12.5	12.9	13.4	13.2	13.5	14.0	14.5	14.4	14.7	15.2	15.8	15.4	15.8	16.3	16.9	16.4	16.8	17.4	18.0	17.4	17.8	18.4	19.1	
		Hi PR	134	144	152	158	150	161	170	178	170	183	194	202	194	209	221	230	218	235	248	259	241	260	274	286
	Lo PR	60	64	70	74	63	67	74	78	66	70	77	82	69	74	80	86	73	77	84	90	75	80	87	93	
		MBh	53.7	55.3	59.8	64.2	52.4	54.0	58.4	62.7	51.2	52.7	57.1	61.2	50.0	51.4	55.7	59.7	47.5	48.9	52.9	56.8	44.0	45.3	49.0	52.6
	S/T	0.83	0.74	0.56	0.36	0.86	0.77	0.58	0.37	0.88	0.79	0.59	0.38	0.91	0.81	0.61	0.40	0.94	0.84	0.64	0.41	0.95	0.85	0.64	0.41	
		ΔT	22	20	17	11	22	21	17	12	22	21	17	12	23	21	17	12	22	20	17	12	21	19	16	11
kW	3.32	3.39	3.50	3.61	3.57	3.65	3.77	3.89	3.80	3.88	4.01	4.14	4.00	4.09	4.22	4.36	4.17	4.26	4.40	4.55	4.31	4.41	4.56	4.71		
	Amps	12.1	12.4	12.8	13.3	13.1	13.4	13.9	14.4	14.2	14.6	15.1	15.7	15.2	15.6	16.1	16.8	16.2	16.6	17.2	17.9	17.2	17.6	18.3	19.0	
Hi PR	132	142	150	157	148	160	169	176	169	182	192	200	192	207	218	228	216	233	246	256	239	257	271	283		
	Lo PR	59	63	69	73	63	67	73	78	65	69	76	81	69	73	80	85	72	76	83	89	74	79	86	92	
MBh	49.6	51.0	55.2	59.3	48.4	49.8	53.9	57.9	47.3	48.7	52.7	56.5	46.1	47.5	51.4	55.1	43.8	45.1	48.8	52.4	40.6	41.8	45.2	48.5		
	S/T	0.80	0.71	0.54	0.35	0.83	0.74	0.56	0.36	0.85	0.76	0.57	0.37	0.87	0.78	0.59	0.38	0.91	0.81	0.61	0.40	0.92	0.82	0.62	0.40	
ΔT	22	21	17	12	23	21	17	12	23	21	17	12	23	21	17	12	23	21	17	12	21	19	16	11		
	kW	3.24	3.31	3.41	3.52	3.49	3.56	3.68	3.80	3.71	3.79	3.91	4.04	3.90	3.99	4.12	4.25	4.06	4.15	4.29	4.44	4.21	4.30	4.44	4.59	
Amps	11.8	12.0	12.4	12.9	12.7	13.0	13.5	14.0	13.8	14.2	14.7	15.2	14.8	15.2	15.7	16.3	15.8	16.2	16.7	17.4	16.7	17.1	17.7	18.4		
	Hi PR	128	138	146	152	144	155	164	171	164	176	186	194	186	201	212	221	210	226	238	249	232	249	263	275	
Lo PR	58	61	67	71	61	65	71	75	63	67	74	78	66	71	77	82	70	74	81	86	72	77	84	89		

Shaded area is ACCA (TVA) conditions IDB: Entering Indoor Dry Bulb Temperature kW= Total system power Amps = outdoor unit amps (comp. +fan)
 High and low pressures are measured at the liquid and suction service valves. Design Subcooling, 9 ±3 °F @ the liquid service valve, ARI 95 test conditions

EXPANDED COOLING DATA — GSH140601A* / CA*F4860D6A* + TXV / MBR2000** -1 (CONT.)

IDB*	Airflow	Outdoor Ambient Temperature																							
		65°F				75°F				85°F				95°F				105°F				115°F			
		59	63	67	71	59	63	67	71	59	63	67	71	59	63	67	71	59	63	67	71	59	63	67	71
80	MBh	56.29	57.52	61.45	65.69	54.98	56.18	60.02	64.16	53.67	54.84	58.59	62.64	52.36	53.51	57.17	61.11	49.74	50.83	54.31	58.05	46.08	47.09	50.31	53.78
	S/T	0.95	0.89	0.73	0.54	1.00	0.92	0.75	0.56	1.00	0.95	0.77	0.58	1.00	1.00	0.80	0.60	1.00	1.00	0.83	0.62	1.00	1.00	0.83	0.62
	ΔT	24	23	20	16	24	23	20	16	23	24	20	16	23	24	20	16	22	22	20	16	20	21	19	15
	kW	3.37	3.44	3.55	3.67	3.63	3.71	3.83	3.96	3.86	3.95	4.08	4.21	4.07	4.16	4.29	4.44	4.24	4.33	4.48	4.63	4.39	4.49	4.64	4.80
	Amps	12.3	12.6	13.0	13.5	13.3	13.7	14.1	14.7	14.5	14.9	15.4	16.0	15.5	15.9	16.5	17.1	16.5	17.0	17.5	18.2	17.5	18.0	18.6	19.3
	Hi PR	135	145	153	160	151	163	172	179	172	185	196	204	196	211	223	232	221	237	251	261	244	262	277	289
	Lo PR	61	64	70	75	64	68	74	79	67	71	77	82	70	74	81	86	73	78	85	91	76	81	88	94
	MBh	54.7	55.8	59.7	63.8	53.4	54.5	58.3	62.3	52.1	53.2	56.9	60.8	50.8	51.9	55.5	59.3	48.3	49.4	52.7	56.4	44.7	45.7	48.8	52.2
	S/T	0.91	0.85	0.69	0.52	0.94	0.88	0.72	0.54	0.96	0.90	0.74	0.55	1.00	0.93	0.76	0.57	1.00	0.97	0.79	0.59	1.00	0.98	0.79	0.59
	ΔT	25	24	21	16	25	24	21	17	25	24	21	17	25	24	21	17	24	24	21	17	22	22	19	15
kW	3.34	3.42	3.52	3.64	3.60	3.68	3.80	3.92	3.83	3.92	4.04	4.18	4.03	4.12	4.26	4.40	4.20	4.30	4.44	4.59	4.35	4.45	4.60	4.76	
Amps	12.2	12.5	12.9	13.4	13.2	13.5	14.0	14.5	14.4	14.7	15.2	15.8	15.4	15.8	16.3	16.9	16.4	16.8	17.4	18.0	17.4	17.8	18.4	19.1	
Hi PR	134	144	152	158	150	161	170	178	170	183	194	202	194	209	221	230	218	235	248	259	241	260	274	286	
Lo PR	60	64	70	74	63	67	74	78	66	70	77	82	69	74	80	86	73	77	84	90	75	80	87	93	
MBh	50.4	51.5	55.1	58.9	49.3	50.3	53.8	57.5	48.1	49.1	52.5	56.1	46.9	47.9	51.2	54.8	44.6	45.6	48.7	52.0	41.3	42.2	45.1	48.2	
S/T	0.87	0.82	0.67	0.50	0.91	0.85	0.69	0.52	0.93	0.87	0.71	0.53	0.96	0.90	0.73	0.55	1.00	0.93	0.76	0.57	1.00	0.94	0.77	0.57	
ΔT	25	24	21	17	25	24	21	17	25	24	21	17	26	25	21	17	25	24	21	17	24	23	20	16	
kW	3.26	3.33	3.44	3.55	3.52	3.59	3.71	3.83	3.74	3.82	3.94	4.07	3.93	4.02	4.15	4.29	4.10	4.19	4.33	4.47	4.24	4.34	4.48	4.63	
Amps	11.9	12.2	12.6	13.0	12.8	13.2	13.6	14.1	14.0	14.3	14.8	15.4	15.0	15.3	15.8	16.4	15.9	16.3	16.9	17.5	16.9	17.3	17.9	18.6	
Hi PR	130	139	147	154	145	156	165	172	165	178	188	196	188	203	214	223	212	228	241	251	234	252	266	277	
Lo PR	58	62	68	72	62	65	71	76	64	68	74	79	67	71	78	83	70	75	82	87	73	77	85	90	
85	MBh	57.27	58.38	61.15	65.23	55.94	57.02	59.72	63.72	54.61	55.67	58.30	62.20	53.28	54.31	56.88	60.68	50.61	51.59	54.04	57.65	46.88	47.79	50.05	53.40
	S/T	1.00	0.96	0.87	0.70	1.00	1.00	0.90	0.73	1.00	1.00	0.92	0.75	1.00	1.00	0.95	0.77	1.00	1.00	0.99	0.80	1.00	1.00	1.00	0.81
	ΔT	25	25	23	20	25	25	24	21	24	25	24	21	24	24	24	21	22	23	24	20	21	21	21	19
	kW	3.40	3.47	3.58	3.70	3.66	3.74	3.86	3.99	3.89	3.98	4.11	4.25	4.10	4.19	4.33	4.48	4.27	4.37	4.52	4.67	4.43	4.53	4.68	4.84
	Amps	12.4	12.7	13.2	13.7	13.5	13.8	14.3	14.8	14.6	15.0	15.5	16.1	15.7	16.1	16.6	17.2	16.3	17.1	17.7	18.4	17.7	18.2	18.8	19.5
	Hi PR	136	147	155	161	153	165	174	181	174	187	198	206	198	213	225	235	223	240	253	264	246	265	280	292
	Lo PR	61	65	71	76	65	69	75	80	67	72	78	83	71	75	82	87	74	79	86	92	77	81	89	95
	MBh	55.6	56.7	59.4	63.3	54.3	55.4	58.0	61.9	53.0	54.0	56.6	60.4	51.7	52.7	55.2	58.9	49.1	50.1	52.5	56.0	45.5	46.4	48.6	51.8
	S/T	0.95	0.92	0.83	0.67	0.99	0.95	0.86	0.70	1.00	0.98	0.88	0.71	1.00	1.00	0.91	0.74	1.00	1.00	0.94	0.76	1.00	1.00	0.95	0.77
	ΔT	26	26	24	21	27	26	25	21	26	26	25	21	26	26	25	22	24	25	25	21	23	23	23	20
kW	3.37	3.44	3.55	3.67	3.63	3.71	3.83	3.96	3.86	3.95	4.08	4.21	4.07	4.16	4.29	4.44	4.24	4.33	4.48	4.63	4.39	4.49	4.64	4.80	
Amps	12.3	12.6	13.0	13.5	13.3	13.7	14.1	14.7	14.5	14.9	15.4	16.0	15.5	15.9	16.5	17.1	16.5	17.0	17.5	18.2	17.5	18.0	18.6	19.3	
Hi PR	135	145	153	160	151	163	172	179	172	185	196	204	196	211	223	232	221	237	251	261	244	262	277	289	
Lo PR	61	64	70	75	64	68	74	79	67	71	77	82	70	74	81	86	73	78	85	91	76	81	88	94	
MBh	51.3	52.3	54.8	58.5	50.1	51.1	53.5	57.1	48.9	49.9	52.2	55.7	47.7	48.7	51.0	54.4	45.4	46.2	48.4	51.7	42.0	42.8	44.9	47.9	
S/T	0.92	0.88	0.80	0.65	0.95	0.92	0.83	0.67	0.97	0.94	0.85	0.69	1.00	0.97	0.88	0.71	1.00	1.00	0.91	0.74	1.00	1.00	0.92	0.74	
ΔT	27	26	25	22	27	27	25	22	27	27	25	22	27	27	25	22	26	26	25	22	24	24	23	20	
kW	3.29	3.36	3.47	3.58	3.54	3.62	3.74	3.86	3.77	3.85	3.97	4.11	3.96	4.05	4.19	4.33	4.13	4.22	4.36	4.51	4.28	4.37	4.52	4.67	
Amps	12.0	12.3	12.7	13.2	13.0	13.3	13.7	14.2	14.1	14.5	14.9	15.5	15.1	15.5	16.0	16.6	16.1	16.5	17.0	17.7	17.0	17.5	18.1	18.8	
Hi PR	131	141	149	155	147	158	167	174	167	180	190	198	190	205	216	225	214	230	243	254	236	254	269	280	
Lo PR	59	63	68	73	62	66	72	77	65	69	75	80	68	72	79	84	71	76	83	88	74	78	85	91	

Shaded area is ARI Rating Conditions IDB: Entering Indoor Dry Bulb Temperature kW= Total system power Amps = outdoor unit amps (comp.+fan)
 High and low pressures are measured at the liquid and suction service valves. Design Subcooling, 9 ±3 °F @ the liquid service valve, ARI 95 test conditions

EXPANDED HEATING DATA

GSH140181A* / CA*F3131B6A*+TXV / MBR800-1**

	Outdoor Ambient Temperature																	
	65	60	55	50	47	45	40	35	30	25	20	17	15	10	5	0	-5	-10
MBh	22.6	21.4	20.2	18.8	18.0	17.4	16.2	14.9	13.6	12.5	11.5	10.9	10.5	9.4	8.3	7.3	6.2	5.1
ΔT	34.9	33.1	31.1	29.1	27.8	26.9	25.0	23.1	20.9	19.3	17.8	16.8	16.2	14.5	12.9	11.2	9.6	7.8
kW	1.56	1.53	1.50	1.47	1.5	1.44	1.41	1.38	1.38	1.35	1.32	1.30	1.28	1.25	1.22	1.19	1.16	1.13
Amps	7.1	6.5	6.1	5.8	5.6	5.5	5.2	4.9	4.7	4.5	4.3	4.2	4.1	3.9	3.7	3.5	3.2	2.9
COP	4.23	4.09	3.93	3.75	3.62	3.54	3.36	3.16	2.88	2.72	2.56	2.45	2.39	2.19	1.99	1.78	1.56	1.31
EER	14.5	14.0	13.4	12.8	12.4	12.1	11.5	10.8	9.8	9.3	8.8	8.4	8.2	7.5	6.8	6.1	5.3	4.5
Hi PR	248	237	228	218	213	209	201	193	185	176	169	165	162	156	150	144	139	134
Lo PR	82	76	71	66	62	60	55	49	44	39	35	32	31	26	23	19	17	13

GSH140241A* / CA*F3636B6A*+TXV / MBR8001**

	Outdoor Ambient Temperature																	
	65	60	55	50	47	45	40	35	30	25	20	17	15	10	5	0	-5	-10
MBh	30.2	28.6	26.9	25.1	24.0	23.3	21.6	19.9	18.8	17.3	15.9	15.1	14.5	13.0	11.5	10.1	8.6	7.0
ΔT	32.9	31.1	29.3	27.4	26.1	25.3	23.5	21.7	20.4	18.9	17.4	16.4	15.8	14.2	12.6	11.0	9.4	7.7
kW	2.06	2.02	1.98	1.94	1.9	1.90	1.86	1.83	1.89	1.85	1.81	1.78	1.77	1.73	1.68	1.64	1.60	1.56
Amps	7.9	7.6	7.5	7.3	7.2	7.2	7.1	7.0	6.9	6.8	6.7	6.7	6.6	6.5	6.4	6.4	6.2	6.1
COP	4.30	4.14	3.98	3.79	3.66	3.58	3.39	3.19	2.91	2.74	2.58	2.47	2.40	2.21	2.00	1.79	1.57	1.32
EER	14.7	14.2	13.6	13.0	12.5	12.2	11.6	10.9	9.9	9.4	8.8	8.4	8.2	7.5	6.8	6.1	5.4	4.5
Hi PR	227	218	209	200	195	192	184	177	169	162	155	152	149	143	138	132	127	123
Lo PR	80	74	70	64	61	58	54	48	43	38	34	31	30	26	22	19	16	13

GSH140301A* / CA*F3636B6A* +TXV / MBR1200-1**

	Outdoor Ambient Temperature																	
	65	60	55	50	47	45	40	35	30	25	20	17	15	10	5	0	-5	-10
MBh	34.7	32.8	30.9	28.9	27.6	26.7	24.8	22.9	20.9	19.3	17.8	16.8	16.2	14.5	12.9	11.2	9.6	7.8
ΔT	29.8	28.2	26.5	24.8	23.7	22.9	21.3	19.6	18.0	16.6	15.3	14.4	13.9	12.4	11.0	9.6	8.2	6.7
kW	2.24	2.20	2.16	2.12	2.1	2.08	2.04	2.00	2.06	2.02	1.98	1.95	1.93	1.89	1.85	1.80	1.76	1.72
Amps	9.6	8.9	8.4	7.9	7.6	7.5	7.1	6.7	6.4	6.2	5.9	5.7	5.7	5.4	5.0	4.8	4.4	4.0
COP	4.53	4.37	4.19	4.00	3.86	3.77	3.57	3.36	2.97	2.80	2.63	2.52	2.45	2.25	2.04	1.82	1.59	1.34
EER	15.5	14.9	14.3	13.7	13.2	12.9	12.2	11.5	10.1	9.6	9.0	8.6	8.4	7.7	7.0	6.2	5.4	4.6
Hi PR	216	208	200	191	186	183	176	169	162	154	148	145	142	137	131	126	121	117
Lo PR	80	74	69	64	60	58	53	47	43	38	34	31	30	25	22	19	16	13

GSH140361A* / CA*F4860C6A* +TXV / MBR1600-1**

	Outdoor Ambient Temperature																	
	65	60	55	50	47	45	40	35	30	25	20	17	15	10	5	0	-5	-10
MBh	43.5	41.2	38.8	36.2	34.6	33.5	31.1	28.7	26.9	24.9	22.9	21.6	20.8	18.7	16.6	14.4	12.3	10.1
ΔT	37.8	35.8	33.7	31.5	30.1	29.1	27.1	25.0	23.4	21.6	19.9	18.8	18.1	16.2	14.4	12.6	10.7	8.8
kW	2.91	2.86	2.80	2.75	2.7	2.69	2.64	2.59	2.64	2.58	2.53	2.50	2.47	2.41	2.36	2.30	2.24	2.19
Amps	13.1	12.2	11.4	10.8	10.4	10.2	9.7	9.2	8.8	8.5	8.1	7.9	7.8	7.4	7.0	6.6	6.1	5.6
COP	4.37	4.22	4.04	3.86	3.73	3.64	3.45	3.25	2.98	2.82	2.65	2.54	2.46	2.26	2.06	1.84	1.61	1.35
Hi PR	229	219	211	202	197	193	186	178	171	163	157	153	150	144	139	133	128	124
Lo PR	83	77	72	66	63	60	55	49	44	40	35	32	31	26	23	19	17	13

High pressure is measured at the suction service valve (the larger valve).

Amps = Outdoor unit amps (comp.+ fan)

Low pressure is measured at the gauge port connection.

kW = Total system power

EXPANDED HEATING DATA (CONT.)

GSH140421A* / CA*F4860D6A*+TXV / MBR2000**-1

	Outdoor Ambient Temperature																	
	65	60	55	50	47	45	40	35	30	25	20	17	15	10	5	0	-5	-10
MBh	49.8	47.1	44.4	41.5	39.6	38.4	35.6	32.9	31.2	28.8	26.6	25.1	24.1	21.7	19.2	16.8	14.3	11.7
DT	32.9	31.2	29.3	27.4	26.2	25.4	23.6	21.7	20.7	19.1	17.6	16.6	16.0	14.3	12.7	11.1	9.5	7.7
kW	3.20	3.14	3.08	3.02	3.0	2.96	2.91	2.85	2.89	2.83	2.77	2.73	2.71	2.65	2.59	2.53	2.46	2.40
Amps	16.1	14.4	13.1	11.9	11.2	10.9	9.9	9.1	8.4	7.8	7.1	6.8	6.6	5.9	5.1	4.4	3.6	2.6
COP	4.56	4.39	4.21	4.02	3.88	3.79	3.59	3.38	3.16	2.98	2.81	2.69	2.61	2.40	2.17	1.94	1.70	1.43
EER	15.6	15.0	14.4	13.7	13.3	13.0	12.3	11.5	10.8	10.2	9.6	9.2	8.9	8.2	7.4	6.6	5.8	4.9
Hi PR	222	213	205	196	191	188	180	173	166	158	152	148	146	140	135	129	125	120
Lo PR	82	76	71	66	62	60	55	49	44	39	35	32	31	26	23	19	17	13

GSH140481A* / CA*F4860D6A*+TXV / MBR2000**-1

	Outdoor Ambient Temperature																	
	65	60	55	50	47	45	40	35	30	25	20	17	15	10	5	0	-5	-10
MBh	57.8	54.7	51.5	48.2	46.0	44.6	41.4	38.2	37.7	34.8	32.0	30.2	29.1	26.1	23.2	20.2	17.2	14.1
DT	34.5	32.7	30.8	28.8	27.5	26.6	24.7	22.8	22.5	20.8	19.1	18.1	17.4	15.6	13.8	12.1	10.3	8.4
kW	4.02	3.94	3.86	3.79	3.7	3.71	3.64	3.56	3.62	3.54	3.46	3.41	3.38	3.30	3.22	3.14	3.06	2.98
Amps	20.9	18.7	17.0	15.5	14.6	14.2	12.9	11.8	10.9	10.1	9.2	8.8	8.6	7.7	6.6	5.8	4.7	3.4
COP	4.21	4.07	3.90	3.72	3.60	3.52	3.33	3.14	3.05	2.88	2.71	2.59	2.52	2.32	2.10	1.88	1.65	1.38
EER	14.4	13.9	13.3	12.7	12.3	12.0	11.4	10.7	10.4	9.8	9.3	8.9	8.6	7.9	7.2	6.4	5.6	4.7
Hi PR	231	221	213	204	199	195	187	180	172	165	158	154	151	146	140	134	130	125
Lo PR	76	70	66	60	57	55	51	45	41	36	32	30	29	24	21	18	15	12

GSH140601A* / CA*F4860D6A* +TXV / MBR2000**-1

	Outdoor Ambient Temperature																	
	65	60	55	50	47	45	40	35	30	25	20	17	15	10	5	0	-5	-10
MBh	69.1	65.5	61.6	57.6	55.0	53.3	49.5	45.7	41.0	37.9	34.9	32.9	31.7	28.4	25.2	22.0	18.8	15.4
DT	34.6	32.8	30.8	28.8	27.5	26.7	24.8	22.8	20.5	18.9	17.5	16.5	15.9	14.2	12.6	11.0	9.4	7.7
kW	4.21	4.12	4.04	3.96	3.9	3.87	3.79	3.71	3.71	3.62	3.54	3.49	3.45	3.36	3.28	3.20	3.11	3.02
Amps	19.3	17.8	16.7	15.6	15.1	14.8	13.9	13.2	12.6	12.0	11.4	11.2	11.0	10.4	9.7	9.1	8.4	7.5
COP	4.81	4.65	4.46	4.26	4.12	4.03	3.82	3.60	3.24	3.06	2.89	2.76	2.69	2.47	2.25	2.01	1.77	1.49
EER	16.4	15.9	15.2	14.6	14.1	13.8	13.1	12.3	11.1	10.5	9.9	9.4	9.2	8.5	7.7	6.9	6.0	5.1
Hi PR	228	219	210	201	197	193	185	178	170	163	156	152	150	144	139	133	128	124
Lo PR	74	68	64	59	55	53	49	44	39	35	31	29	28	23	20	17	15	12

High pressure is measured at the suction service valve (the larger valve).

Low pressure is measured at the gauge port connection.

Calculations are based on nominal CFM and 70 °F indoor dry bulb.

Amps = Outdoor unit amps (comp.+fan)

kW = Total system power

ARI PERFORMANCE RATINGS

Outdoor Unit	Indoor Units		Cooling Capacity (BTU/h)			Heating Capacity (BTU/h)			ARI #				
	Coil & Blower Units	Furnace	Total	Sens.	SEER ¹	EER ²	Total	Sens.					
GSH14 0181A*	AEPF183016A*+TXV		18,000	13,300	15.00	12.50	16,700	13,200	18,000	8.20	10,400	1031670	
	AEPF183016B*+TXV		18,000	13,300	15.00	12.50	16,700	13,200	18,000	8.20	10,400	1277853	
	AEPF183016C*+TXV		18,000	13,300	15.00	12.50	16,700	13,200	18,000	8.20	10,400	1492587	
	AEPF030-00*-1*		18,000	13,300	15.00	12.50	16,700	13,200	18,000	8.20	10,400	890457	
	AR*F193116A*+TXV		19,000	14,100	14.00	12.00	17,600	13,900	18,000	8.30	11,000	1386360	
	AR*F193116B*+TXV		19,000	14,100	14.00	12.00	17,600	13,900	18,000	8.30	11,000	1492588	
	ASPF183016A*+TXV		18,000	13,300	15.00	12.50	16,700	13,200	18,000	8.50	10,400	1288553	
	ASPF183016B*+TXV		18,000	13,300	15.00	12.50	16,700	13,200	18,000	8.50	10,400	1492589	
	AT*F193116A*+TXV		19,000	14,100	14.00	12.00	17,600	13,900	18,000	8.30	11,000	1483540	
	CA*F042*2*+MBE1200**-1+TXV		18,000	13,300	15.00	12.50	16,700	13,200	18,000	8.20	10,400	890104	
	CA*F042*2*+MBR0800**-1+TXV		18,000	13,300	14.00	12.00	16,700	13,200	18,000	8.20	10,400	893640	
	CA*F042*2*+TXV	G*V80704B**		18,000	13,300	15.00	12.50	16,700	13,200	18,000	8.20	10,400	890074
	CA*F042*2*+TXV	G*V950453B**		18,000	13,300	15.00	12.50	16,700	13,200	18,000	8.20	10,400	890287
	CA*F3131*6A*+MBE1200**-1+TXV		18,000	13,300	15.00	12.50	16,700	13,200	18,000	8.20	10,400	890224	
	CA*F3131*6A*+MBR0800**-1+TXV		18,000	13,300	14.00	12.00	16,700	13,200	18,000	8.20	10,400	890314	
	CA*F3131*6A*+TXV	G*E80704B**		18,000	13,300	15.00	12.50	16,700	13,200	18,000	8.20	10,400	1273320
	CA*F3131*6A*+TXV	G*V80704B**		18,000	13,300	15.00	12.50	16,700	13,200	18,000	8.20	10,400	890132
	CA*F3131*6A*+TXV	G*V950453B**		18,000	13,300	15.00	12.50	16,700	13,200	18,000	8.20	10,400	890124
	CA*F3131*6A*+TXV	G*V950704C**		18,600	13,800	15.00	12.50	17,200	13,600	18,000	8.30	11,000	1032074
	CA*F3131*6B*+EEP+TXV		19,000	14,100	14.00	12.00	17,600	13,900	18,000	8.30	11,000	1346706	
	CA*F3131*6B*+MBE1200**-1+TXV		18,000	13,300	15.00	12.50	16,700	13,200	18,000	8.20	10,400	1346700	
	CA*F3131*6B*+MBR0800**-1+TXV		18,000	13,300	14.00	12.00	16,700	13,200	18,000	8.20	10,400	1346701	
	CA*F3131*6B*+TXV	G*E80704B**		18,000	13,300	15.00	12.50	16,700	13,200	18,000	8.20	10,400	1346702
	CA*F3131*6B*+TXV	G*V80704B**		18,000	13,300	15.00	12.50	16,700	13,200	18,000	8.20	10,400	1346703
	CA*F3131*6B*+TXV	G*V950453B**		18,000	13,300	15.00	12.50	16,700	13,200	18,000	8.20	10,400	1346704
	CA*F3131*6B*+TXV	G*V950704C**		18,600	13,800	15.00	12.50	17,200	13,600	18,000	8.30	11,000	1346705
CA*F3131*6C*+EEP+TXV		19,000	14,100	14.00	12.00	17,600	13,900	18,000	8.30	11,000	1386241		
CA*F3131*6C*+MBE1200**-1+TXV		18,000	13,300	15.00	12.50	16,700	13,200	18,000	8.20	10,400	1386243		
CA*F3131*6C*+MBR0800**-1+TXV		18,000	13,300	14.00	12.00	16,700	13,200	18,000	8.20	10,400	1386245		
CA*F3131*6C*+TXV	G*E80704B**		18,000	13,300	15.00	12.50	16,700	13,200	18,000	8.20	10,400	1401052	
CA*F3131*6C*+TXV	G*V80704B**		18,000	13,300	15.00	12.50	16,700	13,200	18,000	8.20	10,400	1401053	
CA*F3131*6C*+TXV	G*V950453B**		18,000	13,300	15.00	12.50	16,700	13,200	18,000	8.20	10,400	1401054	
CA*F3131*6C*+TXV	G*V950704C**		18,600	13,800	15.00	12.50	17,200	13,600	18,000	8.30	11,000	1401055	
CAPF3131*6A+EEP+TXV		19,000	14,100	14.00	12.00	17,600	13,900	18,000	8.30	11,000	1038379		
CHPF042B2*+MBR0800**-1+TXV		18,000	13,300	14.00	12.00	16,700	13,200	18,000	8.20	10,400	1031665		

See Notes on Page 24.

ARI PERFORMANCE RATINGS (CONT.)

Outdoor Unit	Indoor Units		Cooling Capacity (BTU/h)			Heating Capacity (BTU/h)			TVA Ratings ³		Heating Capacity (BTU/h)		ARI #
	Coil & Blower Units	Furnace	Total	Sens.	SEER ¹	EER ²	Total	Sens.	High	HSPF ⁴	Low		
GSH14 0181A* (cont.)	CHPF042B2*+TXV	G*V80704B**	18,000	13,300	15.00	12.50	16,700	13,200	18,000	8.20	10,400	890035	
	CHPF042B2*+TXV	G*V950453B**	18,000	13,300	15.00	12.50	16,700	13,200	18,000	8.20	10,400	890128	
	CHPF2430B6A*+MBR0800**-1+TXV	G*E80704B**	18,000	13,300	14.00	12.00	16,700	13,200	18,000	8.20	10,400	1031646	
	CHPF2430B6A*+TXV	G*V80704B**	18,000	13,300	15.00	12.50	16,700	13,200	18,000	8.20	10,400	1273321	
	CHPF2430B6A*+TXV	G*V80704B**	18,000	13,300	15.00	12.50	16,700	13,200	18,000	8.20	10,400	890236	
	CHPF2430B6A*+TXV	G*V950453B**	18,000	13,300	15.00	12.50	16,700	13,200	18,000	8.20	10,400	890383	
	CHPF2430B6A*+TXV		18,000	13,300	13.50	11.80	16,700	13,200	18,000	8.20	10,400	1293998	
	CHPF2430B6B*+EEP+TXV		18,000	13,300	13.50	11.80	16,700	13,200	18,000	8.20	10,400	1347584	
	CHPF2430B6B*+MBE1200**-1A*+TXV		18,600	13,800	15.00	12.50	17,200	13,600	18,000	8.20	10,400	1352849	
	CHPF2430B6B*+MBR0800**-1A*+TXV		18,000	13,300	14.00	12.00	16,700	13,200	18,000	8.20	10,400	1330328	
	CHPF2430B6B*+TXV	G*E80704B**	18,000	13,300	15.00	12.50	16,700	13,200	18,000	8.20	10,400	1347585	
	CHPF2430B6B*+TXV	G*V80704B**	18,000	13,300	15.00	12.50	16,700	13,200	18,000	8.20	10,400	1330329	
CHPF2430B6B*+TXV	G*V950453B**	18,000	13,300	15.00	12.50	16,700	13,200	18,000	8.20	10,400	1330330		
CSCF3036N6A*+MBR800**-1+TXV		18,000	13,300	14.00	12.00	16,700	13,200	18,000	8.20	10,400	890322		
CSCF3036N6A*+TXV	G*E80704B**	18,000	13,300	15.00	12.50	16,700	13,200	18,000	8.20	10,400	1273322		
CSCF3036N6A*+TXV	G*V80704B**	18,000	13,300	15.00	12.50	16,700	13,200	18,000	8.20	10,400	890350		
CSCF3036N6A*+TXV	G*V950453B**	18,000	13,300	15.00	12.50	16,700	13,200	18,000	8.20	10,400	890285		
CSCF3036N6B*+MBR0800**-1+TXV		18,000	13,300	14.00	12.00	16,700	13,200	18,000	8.20	10,400	1296854		
CSCF3036N6B*+TXV	G*E80704B**	18,000	13,300	15.00	12.50	16,700	13,200	18,000	8.20	10,400	1296641		
CSCF3036N6B*+TXV	G*V80704B**	18,000	13,300	15.00	12.50	16,700	13,200	18,000	8.20	10,400	1296642		
CSCF3036N6B*+TXV	G*V950453B**	18,000	13,300	15.00	12.50	16,700	13,200	18,000	8.20	10,400	1296643		
CT*F3131*6A*+EEP+TXV		19,000	14,100	14.00	12.00	17,600	13,900	18,000	8.30	11,000	1449977		
CT*F3131*6A*+MBE1200**-1+TXV		18,000	13,300	15.00	12.50	16,700	13,200	18,000	8.20	10,400	1449978		
CT*F3131*6A*+MBR0800**-1+TXV		18,000	13,300	14.00	12.00	16,700	13,200	18,000	8.20	10,400	1449979		
CT*F3131*6A*+TXV	G*E80704B**	18,000	13,300	15.00	12.50	16,700	13,200	18,000	8.20	10,400	1449980		
CT*F3131*6A*+TXV	G*V80704B**	18,000	13,300	15.00	12.50	16,700	13,200	18,000	8.20	10,400	1449981		
CT*F3131*6A*+TXV	G*V950453B**	18,000	13,300	15.00	12.50	16,700	13,200	18,000	8.20	10,400	1449982		
CT*F3131*6A*+TXV	G*V950704C**	18,600	13,800	15.00	12.50	17,200	13,600	18,000	8.30	11,000	1449983		
H49F+MBR0800**-1+TXV		18,000	13,300	14.00	12.00	16,700	13,200	18,000	8.20	10,400	890116		
H49F+TXV	G*V80704B**	18,000	13,300	15.00	12.50	16,700	13,200	18,000	8.20	10,400	890049		
H49F+TXV	G*V950453B**	18,000	13,300	15.00	12.50	16,700	13,200	18,000	8.20	10,400	890409		

¹ Seasonal Energy Efficiency Ratio: Certified per ARI 210/240 @ 80°F/67°F/95°F ² Energy Efficiency Ratio @ 80°F/67°F/95°F
³ TVA Rating: BTU/h @ 75°F/63°F - 95°F ⁴ HSPF = Heating Seasonal Performance Factor

Notes:

- Always check the S&R plate for electrical data on the unit being installed.
- When matching the outdoor unit to the indoor unit, use the piston supplied with the outdoor unit or that specified on the piston kit chart supplied with the indoor unit.
- EEP - Order from Service Dept. Part No. B13707-38 or new Solid State Board B13707-35S, Part No. B13707-38 is not interchangeable with B13707-35S. The Goodman Gas Furnace contains the EEP cooling time delay

See Notes on Page 24.

ARI PERFORMANCE RATINGS (CONT.)

Outdoor Unit	Indoor Units		Cooling Capacity (BTU/h)			Heating Capacity (BTU/h)			ARI #		
	Coil & Blower Units	Furnace	Total	Sens.	SEER ¹	EER ²	Total	Sens.		High	HSPF ⁴
	ADPF304216A*+TXV		24,000	18,200	14.00	12.00	22,200	18,000	24,000	8.20	15,000
	ADPF304216B*+TXV		24,000	18,200	14.00	12.00	22,200	18,000	24,000	8.20	15,000
	AEPF036-00* ¹		24,000	18,200	15.00	12.50	22,200	18,000	24,000	8.20	15,000
	AEPF303616A*+TXV		24,000	18,200	15.00	12.50	22,200	18,000	24,000	8.20	15,000
	AEPF303616B*+TXV		24,000	18,200	15.00	12.50	22,200	18,000	24,000	8.20	15,000
	AEPF303616C*+TXV		24,000	18,200	15.00	12.50	22,200	18,000	24,000	8.20	15,000
	AR*F193116A*+TXV		24,000	18,200	14.00	12.00	22,200	18,000	24,000	8.50	14,000
	AR*F193116B*+TXV		24,000	18,200	14.00	12.00	22,200	18,000	24,000	8.50	14,000
	ARUF193116A*+TXV		24,000	18,200	14.00	12.50	22,200	18,000	24,000	8.50	14,000
	ASPF303616A*+TXV		24,000	18,200	15.00	12.50	22,200	18,000	22,000	8.50	12,000
	ASPF303616B*+TXV		24,000	18,200	15.00	12.50	22,200	18,000	22,000	8.50	12,000
	AT*F193116A*+TXV		24,000	18,200	14.00	12.00	22,200	18,000	24,000	8.50	14,000
	CA*F048* ²	G*V950453B**	23,600	17,900	14.00	12.00	21,800	17,700	23,600	8.20	15,000
	CA*F048* ² +MBE1200** ⁻¹ +TXV		24,000	18,200	15.00	12.50	22,200	18,000	24,000	8.20	15,000
	CA*F048* ² +MBR0800** ⁻¹ +TXV		24,000	18,200	14.00	12.00	22,200	18,000	24,000	8.40	15,000
	CA*F048* ² +TXV	G*V80704B**	23,000	17,500	15.00	12.50	21,300	17,300	23,000	8.20	15,000
	CA*F3636*6A*	G*V90704C**	23,600	17,900	15.00	12.50	21,800	17,700	23,600	8.20	15,000
	CA*F3636*6A*	G*V950453B**	23,600	17,900	14.00	12.00	21,800	17,700	23,600	8.20	15,000
	CA*F3636*6A*+EEP+TXV		24,000	18,200	14.00	12.00	22,200	18,000	24,800	8.50	14,000
	CA*F3636*6A*+MBE1200** ⁻¹ +TXV		24,000	18,200	15.00	12.50	22,200	18,000	24,000	8.20	15,000
	CA*F3636*6A*+MBR0800** ⁻¹ +TXV		24,000	18,200	14.00	12.00	22,200	18,000	24,000	8.40	15,000
	CA*F3636*6A*+TXV	G*E80704B**	23,000	17,500	15.00	12.50	21,300	17,300	23,000	8.20	15,000
	CA*F3636*6A*+TXV	G*V80704B**	23,000	17,500	15.00	12.50	21,300	17,300	23,000	8.20	15,000
	CA*F3636*6A*+TXV	G*V950704C**	23,600	17,900	15.00	12.50	21,800	17,700	23,600	8.20	15,000
	CA*F3636*6B*	G*V90704C**	23,600	17,900	15.00	12.50	21,800	17,700	23,600	8.20	15,000
	CA*F3636*6B*	G*V950453B**	23,600	17,900	14.00	12.00	21,800	17,700	23,600	8.20	15,000
	CA*F3636*6B*+EEP+TXV		24,000	18,200	14.00	12.00	22,200	18,000	24,800	8.50	14,000
	CA*F3636*6B*+MBE1200** ⁻¹ +TXV		24,000	18,200	15.00	12.50	22,200	18,000	24,000	8.20	15,000
	CA*F3636*6B*+MBR0800** ⁻¹ +TXV		24,000	18,200	14.00	12.00	22,200	18,000	24,000	8.40	15,000
	CA*F3636*6B*+TXV	G*E80704B**	23,000	17,500	15.00	12.50	21,300	17,300	23,000	8.20	15,000
	CA*F3636*6B*+TXV	G*V80704B**	23,000	17,500	15.00	12.50	21,300	17,300	23,000	8.20	15,000
	CA*F3636*6B*+TXV	G*V950704C**	23,600	17,900	15.00	12.50	21,800	17,700	23,600	8.20	15,000
	CA*F3642*6A*+EEP+TXV		24,000	18,200	14.00	12.00	22,200	18,000	24,800	8.50	14,000
	CA*F3743*6A*+EEP+TXV		24,000	18,200	14.00	12.00	22,200	18,000	24,800	8.50	14,000

See Notes on Page 24.

ARI PERFORMANCE RATINGS (CONT.)

Outdoor Unit	Indoor Units		Cooling Capacity (BTU/h)			TVA Ratings ³			Heating Capacity (BTU/h)		ARI #
	Coil & Blower Units	Furnace	Total	Sens.	SEER ¹	EER ²	Total	Sens.	High	Low	
GSH14 0241A* (cont.)	CHPF3636*6A*+MBE1200**-1+TXV		24,000	18,200	14.00	12.00	22,200	18,000	24,000	15,000	890090
	CHPF3636B6A*+EEP+TXV		24,000	18,200	14.00	12.00	22,200	18,000	24,800	14,000	1038814
	CHPF3636B6A*+MBR0800**-1+TXV		24,000	18,200	14.00	12.00	22,200	18,000	24,000	15,000	1032324
	CHPF3636B6A*+TXV	G*E80704B**	24,000	18,200	15.00	12.50	22,200	18,000	24,000	15,000	1273324
	CHPF3636B6A*+TXV	G*V80704B**	24,000	18,200	14.50	12.20	22,200	18,000	24,000	15,000	890398
	CHPF3636B6A*+TXV	G*V950453B**	24,000	18,200	14.50	12.20	22,200	18,000	24,000	15,000	890047
	CHPF3636B6B*+EEP+TXV		24,000	18,200	14.00	12.00	22,200	18,000	24,800	14,000	1330332
	CHPF3636B6B*+MBE1200**-1A*+TXV		24,000	18,200	14.00	12.00	22,200	18,000	24,000	15,000	1330331
	CHPF3636B6B*+MBR0800**-1A*+TXV		24,000	18,200	14.00	12.00	22,200	18,000	24,000	15,000	1330333
	CHPF3636B6B*+TXV	G*E80704B**	24,000	18,200	15.00	12.50	22,200	18,000	24,000	15,000	1347588
	CHPF3636B6B*+TXV	G*V80704B**	24,000	18,200	14.50	12.20	22,200	18,000	24,000	15,000	1330334
	CHPF3636B6B*+TXV	G*V950453B**	24,000	18,200	14.50	12.20	22,200	18,000	24,000	15,000	1330335
	CSCF3036N6A*+TXV	G*E80704B**	24,000	18,200	15.00	12.50	22,200	18,000	24,000	15,000	1273325
	CSCF3036N6A*+TXV	G*V80704B**	24,000	18,200	14.50	12.20	22,200	18,000	24,000	15,000	890411
CSCF3036N6A*+TXV	G*V950453B**	24,000	18,200	14.50	12.20	22,200	18,000	24,000	15,000	890267	
CSCF3036N6B*+TXV	G*E80704B**	24,000	18,200	15.00	12.50	22,200	18,000	24,000	15,000	1296644	
CSCF3036N6B*+TXV	G*V80704B**	24,000	18,200	14.50	12.20	22,200	18,000	24,000	15,000	1296645	
CSCF3036N6B*+TXV	G*V950453B**	24,000	18,200	14.50	12.20	22,200	18,000	24,000	15,000	1296646	
CT*F3636*6A*	G*V90704C**	23,600	17,900	15.00	12.50	21,800	17,700	23,600	15,000	1449984	
CT*F3636*6A*+MBE1200**-1+TXV		24,000	18,200	15.00	12.50	22,200	18,000	24,000	15,000	1449986	
CT*F3636*6A*+MBR0800**-1+TXV		24,000	18,200	14.00	12.00	22,200	18,000	24,000	15,000	1449987	
CT*F3636*6A*+TXV	G*E80704B**	23,000	17,500	15.00	12.50	21,300	17,300	23,000	15,000	1449989	
CT*F3636*6A*+TXV	G*V80704B**	23,000	17,500	15.00	12.50	21,300	17,300	23,000	15,000	1449990	
CT*F3636*6A*+TXV	G*V950453B**	23,600	17,900	14.00	12.00	21,800	17,700	23,600	15,000	1449985	
CT*F3636*6A*+TXV	G*V950704C**	23,600	17,900	15.00	12.50	21,800	17,700	23,600	15,000	1449991	
CT*F3642*6A*+EEP+TXV		24,000	18,200	14.00	12.00	22,200	18,000	24,800	14,000	1449992	
H49F+HMBR0800**-1+TXV		24,000	18,200	14.00	12.00	22,200	18,000	24,000	15,000	890318	
H49F+TXV	G*V80704B**	24,000	18,200	14.50	12.20	22,200	18,000	24,000	15,000	890188	
H49F+TXV	G*V950453B**	24,000	18,200	14.50	12.20	22,200	18,000	24,000	15,000	890413	

See Notes on Page 24.

ARI PERFORMANCE RATINGS (CONT.)

Outdoor Unit	Indoor Units		Furnace	Cooling Capacity (BTU/h)			TVA Ratings ³			Heating Capacity (BTU/h)		ARI #
	Coil & Blower Units			Total	Sens.	SEER ¹	EER ²	Total	Sens.	High	HSPF ⁴	
GSH14 0301A*	ADPF304216A*+TXV			27,400	21,900	13.50	11.80	25,300	21,500	28,000	8.50	18,000
	ADPF304216B*+TXV			27,400	21,900	13.50	11.80	25,300	21,500	28,000	8.50	18,000
	AEPF183016A*+TXV			26,000	20,800	14.50	12.20	24,100	20,500	27,600	8.40	16,800
	AEPF303616A*+TXV			28,000	22,400	15.00	12.50	25,900	22,000	27,600	8.40	16,800
	AEPF303616B*+TXV			28,000	22,400	15.00	12.50	25,900	22,000	27,600	8.40	16,800
	AEPF303616C*+TXV			28,000	22,400	15.00	12.50	25,900	22,000	27,600	8.40	16,800
	AEPT036-00*-1*			28,000	22,400	15.00	12.50	25,900	22,000	27,600	8.40	16,800
	AR*F193116B*+TXV			28,000	22,400	14.00	12.00	25,900	22,000	26,600	8.30	17,400
	ARPF193116A*			28,000	22,400	14.00	12.00	25,900	22,000	26,600	8.30	17,400
	ARUF193116A*+TXV			28,000	22,400	14.00	12.00	25,900	22,000	26,600	8.30	17,400
	ASPF303616A*+TXV			28,000	22,400	15.00	12.50	25,900	22,000	28,000	8.50	18,000
	ASPF303616B*+TXV			28,000	22,400	15.00	12.50	25,900	22,000	28,000	8.50	18,000
	AT*F193116A*+TXV			28,000	22,400	14.00	12.00	25,900	22,000	26,600	8.30	17,400
	CA*F048*2*+MBR1200**-1+TXV			28,000	22,400	14.00	12.00	25,900	22,000	27,600	8.40	16,800
	CA*F060*2*+MBE1600**-1+TXV			28,000	22,400	15.00	12.50	25,900	22,000	27,600	8.40	16,800
	CA*F060*2*+TXV		G*V80905C**	28,000	22,400	14.50	12.20	25,900	22,000	27,600	8.40	16,800
	CA*F060*2*+TXV		G*V81155C**	28,000	22,400	14.50	12.20	25,900	22,000	27,600	8.40	16,800
CA*F3642*6A*		G*V90704C**	28,000	22,400	14.50	12.20	25,900	22,000	27,600	8.40	16,800	
CA*F3642*6A*		G*V90905D**	28,800	23,000	15.00	12.50	26,600	22,600	28,000	8.50	18,000	
CA*F3642*6A*+EEP+TXV			28,000	22,400	14.00	12.00	25,900	22,000	27,000	8.50	18,000	
CA*F3642*6A*+MBE1600**-1+TXV			28,000	22,400	15.00	12.50	25,900	22,000	27,600	8.50	18,000	
CA*F3642*6A*+MBR1200**-1+TXV			28,000	22,400	14.00	12.00	25,900	22,000	27,600	8.40	16,800	
CA*F3642*6A*+MBR1600**-1+TXV			28,000	22,400	14.00	12.00	25,900	22,000	27,600	8.40	16,800	
CA*F3642*6A*+TXV		G*E80905C**	28,000	22,400	14.50	12.20	25,900	22,000	27,600	8.40	16,800	
CA*F3642*6A*+TXV		G*E81155C**	28,000	22,400	14.50	12.20	25,900	22,000	27,600	8.40	16,800	
CA*F3642*6A*+TXV		G*V80905C**	28,000	22,400	14.50	12.20	25,900	22,000	27,600	8.40	16,800	
CA*F3642*6A*+TXV		G*V81155C**	28,000	22,400	14.50	12.20	25,900	22,000	27,600	8.40	16,800	
CA*F3642*6A*+TXV		G*V950704C**	28,000	22,400	14.50	12.50	25,900	22,000	27,000	8.50	18,000	
CA*F3642*6A*+TXV		G*V90704C**	28,000	22,400	14.50	12.20	25,900	22,000	27,600	8.40	16,800	
CA*F3743*6A*			28,000	22,400	14.50	12.20	25,900	22,000	27,600	8.40	16,800	

¹ Seasonal Energy Efficiency Ratio; Certified per ARI 210/240 @ 80°F/67°F/95°F

³ TVA Rating: BTU/h @ 75°F/63°F - 95°F

² Energy Efficiency Ratio @ 80°F/67°F/95°F

⁴ HSPF = Heating Seasonal Performance Factor

Notes:

- Always check the S&R plate for electrical data on the unit being installed.
- When matching the outdoor unit to the indoor unit, use the piston supplied with the outdoor unit or that specified on the piston kit chart supplied with the indoor unit.
- EEP - Order from Service Dept. Part No. B13707-38 or new Solid State Board B13707-35S. Part No. B13707-38 is not interchangeable with B13707-35S. The Goodman Gas Furnace contains the EEP cooling time delay

ARI PERFORMANCE RATINGS (CONT.)

Outdoor Unit	Indoor Units		Cooling Capacity (BTU/h)			TVA Ratings ³			Heating Capacity (BTU/h)		ARI #
	Coil & Blower Units	Furnace	Total	Sens.	SEER ¹	EER ²	Total	Sens.	High	HSPF ⁴	
GSH14 0301A* (cont.)	CA*F3743*6A*	G*V90905D**	28,800	23,000	15.00	12.50	26,600	22,600	28,000	8.50	18,000
	CA*F3743*6A*+EEP+TXV		28,000	22,400	14.00	12.00	25,900	22,000	27,000	8.50	18,000
	CA*F3743*6A*+MBE1600**-1+TXV		28,000	22,400	15.00	12.50	25,900	22,000	27,600	8.50	16,800
	CA*F3743*6A*+MBR1200**-1+TXV		28,000	22,400	14.00	12.00	25,900	22,000	27,600	8.40	16,800
	CA*F3743*6A*+MBR1600**-1+TXV		28,000	22,400	14.00	12.00	25,900	22,000	27,000	8.50	18,000
	CA*F3743*6A*+TXV	G*E80905C**	28,000	22,400	14.50	12.20	25,900	22,000	27,600	8.40	16,800
	CA*F3743*6A*+TXV	G*E81155C**	28,000	22,400	14.50	12.20	25,900	22,000	27,600	8.40	16,800
	CA*F3743*6A*+TXV	G*V80905C**	28,000	22,400	14.50	12.20	25,900	22,000	27,600	8.40	16,800
	CA*F3743*6A*+TXV	G*V81155C**	28,000	22,400	14.50	12.20	25,900	22,000	27,600	8.40	16,800
	CA*F3743*6A*+TXV	G*V950704C**	28,000	22,400	14.50	12.20	25,900	22,000	27,600	8.40	16,800
	CHPF048D2*+MBE1600**-1+TXV		28,000	22,400	15.00	12.50	25,900	22,000	27,600	8.50	18,000
	CHPF048D2*+MBR1600**-1+TXV		28,000	22,400	14.00	12.00	25,900	22,000	27,600	8.40	16,800
	CHPF048D2*+TXV	G*V80905C**	28,000	22,400	14.50	12.50	25,900	22,000	27,600	8.40	16,800
	CHPF048D2*+TXV	G*V81155C**	28,000	22,400	14.50	12.20	25,900	22,000	27,600	8.40	16,800
	CHPF048D2*+TXV	G*V950704C**	28,000	22,400	14.50	12.20	25,900	22,000	27,600	8.40	16,800
	CHPF3642*6A*+TXV	G*E80905C**	28,000	22,400	14.50	12.20	25,900	22,000	27,600	8.40	16,800
	CHPF3642*6A*+TXV	G*E81155C**	28,000	22,400	14.50	12.20	25,900	22,000	27,600	8.40	16,800
	CHPF3642*6A*+TXV	G*V80905C**	28,000	22,400	14.50	12.20	25,900	22,000	27,600	8.40	16,800
	CHPF3642*6A*+TXV	G*V81155C**	28,000	22,400	14.50	12.20	25,900	22,000	27,600	8.40	16,800
	CHPF3642*6A*+TXV	G*V950704C**	28,000	22,400	14.50	12.20	25,900	22,000	27,600	8.40	16,800
CHPF3642*6A*+EEP+TXV		28,000	22,400	14.00	12.00	25,900	22,000	27,000	8.50	18,000	
CHPF3642C6A*+MBE1600**-1+TXV		28,000	22,400	15.00	12.50	25,900	22,000	27,600	8.40	16,800	
CHPF3642C6A*+MBR1600**-1+TXV		28,000	22,400	14.00	12.00	25,900	22,000	27,600	8.40	16,800	
CHPF3642C6B*+MBE1600**-1A*+TXV		28,000	22,400	15.00	12.50	25,900	22,000	27,600	8.40	16,800	
CHPF3642C6B*+MBR1600**-1A*+TXV		28,000	22,400	14.00	12.00	25,900	22,000	27,600	8.40	16,800	
CHPF3642C6B*+TXV	G*E80905C**	28,000	22,400	14.50	12.20	25,900	22,000	27,600	8.40	16,800	
CHPF3642C6B*+TXV	G*E81155C**	28,000	22,400	14.50	12.20	25,900	22,000	27,600	8.40	16,800	
CHPF3642C6B*+TXV	G*V80905C**	28,000	22,400	14.50	12.20	25,900	22,000	27,600	8.40	16,800	
CHPF3642C6B*+TXV	G*V81155C**	28,000	22,400	14.50	12.20	25,900	22,000	27,600	8.40	16,800	
CHPF3642C6B*+TXV	G*V950704C**	28,000	22,400	14.50	12.20	25,900	22,000	27,600	8.40	16,800	
CHPF3642C6B+EEP+TXV		28,000	22,400	14.00	12.00	25,900	22,000	27,000	8.50	18,000	
CSCF3642N6A*+MBR1600**-1+TXV		28,000	22,400	14.00	12.00	25,900	22,000	27,000	8.50	18,000	
CSCF3642N6A*+TXV	G*E80905C**	28,000	22,400	14.00	12.00	25,900	22,000	27,600	8.40	16,800	
CSCF3642N6A*+TXV	G*E81155C**	28,000	22,400	14.50	12.20	25,900	22,000	27,600	8.40	16,800	
CSCF3642N6A*+TXV	G*V80905C**	28,000	22,400	14.50	12.20	25,900	22,000	27,600	8.40	16,800	
CSCF3642N6A*+TXV	G*V80905C**	28,000	22,400	14.50	12.20	25,900	22,000	27,600	8.40	16,800	

See Notes on Page 24.

ARI PERFORMANCE RATINGS (CONT.)

Outdoor Unit	Indoor Units		Cooling Capacity (BTU/h)			TVA Ratings ³			Heating Capacity (BTU/h)		ARI #
	Coil & Blower Units	Furnace	Total	Sens.	SEER ¹	EER ²	Total	Sens.	High	HSPF ⁴	
GSH14 0301A* (cont.)	CSCF3642N6A*+TXV	G*V81155C**	28,000	22,400	14.50	12.20	25,900	22,000	27,600	8.40	16,800
	CSCF3642N6A*+TXV	G*V950704C**	28,000	22,400	14.50	12.20	25,900	22,000	27,600	8.40	16,800
	CSCF3642N6C*+MBR1600**-1+TXV		28,000	22,400	14.00	12.00	25,900	22,000	27,600	8.40	16,800
	CSCF3642N6C*+TXV	G*E80905C**	28,000	22,400	14.50	12.20	25,900	22,000	27,600	8.40	16,800
	CSCF3642N6C*+TXV	G*E81155C**	28,000	22,400	14.50	12.20	25,900	22,000	27,600	8.40	16,800
	CSCF3642N6C*+TXV	G*V80905C**	28,000	22,400	14.50	12.20	25,900	22,000	27,600	8.40	16,800
	CSCF3642N6C*+TXV	G*V81155C**	28,000	22,400	14.50	12.20	25,900	22,000	27,600	8.40	16,800
	CSCF3642N6C*+TXV	G*V950704C**	28,000	22,400	14.50	12.20	25,900	22,000	27,600	8.40	16,800
	CT*F3642*6A*	G*V90704C**	28,000	22,400	14.50	12.20	25,900	22,000	27,600	8.40	16,800
	CT*F3642*6A*	G*V90905D**	28,800	23,000	15.00	12.50	26,600	22,600	28,000	8.50	18,000
	CT*F3642*6A*+EEP+TXV		28,000	22,400	14.00	12.00	25,900	22,000	27,000	8.40	16,800
	CT*F3642*6A*+MBE1600**-1+TXV		28,000	22,400	14.00	12.00	25,900	22,000	27,000	8.40	16,800
	CT*F3642*6A*+MBR1200**-1+TXV		28,000	22,400	15.00	12.50	25,900	22,000	27,600	8.50	16,800
	CT*F3642*6A*+MBR1600**-1+TXV		28,000	22,400	14.00	12.00	25,900	22,000	27,000	8.40	16,800
	CT*F3642*6A*+TXV	G*E80905C**	28,000	22,400	14.50	12.20	25,900	22,000	27,600	8.40	16,800
	CT*F3642*6A*+TXV	G*E81155C**	28,000	22,400	14.50	12.20	25,900	22,000	27,600	8.40	16,800
	CT*F3642*6A*+TXV	G*V80905C**	28,000	22,400	14.50	12.20	25,900	22,000	27,600	8.40	16,800
	CT*F3642*6A*+TXV	G*V81155C**	28,000	22,400	14.50	12.20	25,900	22,000	27,600	8.40	16,800
CT*F3642*6A*+TXV	G*V950704C**	28,000	22,400	14.50	12.20	25,900	22,000	27,600	8.40	16,800	
H60F+MBR1600**-1+TXV		28,000	22,400	14.00	12.00	25,900	22,000	27,000	8.40	16,800	
H60F+TXV	G*V80905C**	28,000	22,400	14.50	12.20	25,900	22,000	27,600	8.40	16,800	
H60F+TXV	G*V81155C**	28,000	22,400	14.50	12.20	25,900	22,000	27,600	8.40	16,800	
H60F+TXV	G*V950704C**	28,000	22,400	14.50	12.20	25,900	22,000	27,600	8.40	16,800	
GSH14 0361A*	ADPF486016A*+TXV		34,000	24,100	13.50	11.80	31,500	23,900	32,600	8.30	22,000
	AEPF303616B*+TXV		33,400	23,700	14.50	12.20	30,900	23,500	34,600	8.75	21,600
	AEPF303616C*+TXV		33,400	23,700	14.50	12.20	30,900	23,500	34,600	8.75	21,600
	AEPF426016A*+TXV		35,000	24,900	15.00	12.50	32,400	24,600	34,600	8.75	21,600
	AEPF426016B*+TXV		35,000	24,900	15.00	12.50	32,400	24,600	34,600	8.75	21,600
	AEPF426016C*+TXV		35,000	24,900	15.00	12.50	32,400	24,600	34,600	8.75	21,600
	AEPT060-00*-1*		35,000	24,900	15.00	12.50	32,400	24,600	34,600	8.75	21,600
	AR*F363616A*+TXV		34,400	24,400	13.50	11.80	31,800	24,200	32,600	8.30	22,000
	AR*F363616B*+TXV		34,400	24,400	13.50	11.80	31,800	24,200	32,600	8.30	22,000
	AR*F364216A*+TXV		33,000	23,400	13.50	11.80	30,500	23,200	34,600	8.30	21,600
AR*F364216B*+TXV		33,000	23,400	13.50	11.80	30,500	23,200	34,600	8.30	21,600	
AR*F374316B*+TXV		36,000	25,600	14.00	12.00	33,300	25,300	34,600	8.75	22,000	

See Notes on Page 24.

ARI PERFORMANCE RATINGS (CONT.)

Outdoor Unit	Indoor Units		Cooling Capacity (BTU/h)		TVA Ratings ³		Heating Capacity (BTU/h)		ARI #			
	Coil & Blower Units	Furnace	Total	Sens.	SEER ¹	EER ²	Total	Sens.		High	HSPF ⁴	Low
GSH14 0361A* (cont.)	ARPF374316A*+TXV		36,000	25,600	14.00	12.00	33,300	25,300	34,600	8.75	22,000	
	ARUF374316A*+TXV		36,000	25,600	14.00	12.00	33,300	25,300	34,600	9.00	22,000	
	ASPF303616A*+TXV		34,200	24,300	14.50	12.00	31,600	24,000	34,600	9.00	23,600	
	ASPF303616B*+TXV		34,200	24,300	14.50	12.00	31,600	24,000	34,600	9.00	23,600	
	ASPF426016A*+TXV		35,000	24,900	15.00	13.00	32,400	24,600	34,600	9.00	23,600	
	ASPF426016B*+TXV		35,000	24,900	15.00	13.00	32,400	24,600	34,600	9.00	23,600	
	AT*F363616A*+TXV		34,400	24,400	13.50	11.80	31,800	24,200	32,600	8.30	22,000	
	AT*F364216A*+TXV		33,000	23,400	13.50	11.80	30,500	23,200	34,600	8.30	21,600	
	AT*F374316A*+TXV		36,000	25,600	14.00	12.00	33,300	25,300	34,600	8.75	22,000	
	CA*F061*2*+MBE1600**-1+TXV		34,600	24,600	14.50	12.20	32,000	24,300	34,600	8.75	21,600	
	CA*F061*2*+MBE2000**-1+TXV		34,600	24,600	15.00	12.50	32,000	24,300	34,600	8.75	21,600	
	CA*F061*2*+MBR1600**-1+TXV		34,600	24,600	14.00	12.00	32,000	24,300	34,600	8.75	21,600	
	CA*F061*2*+TXV	G*V81155C**		34,600	24,600	14.50	12.20	32,000	24,300	34,600	8.75	21,600
	CA*F061*2*+TXV	G*V90905D**		34,600	24,600	15.00	12.50	32,000	24,300	34,600	8.75	21,600
	CA*F061*2*+TXV	G*V950704C**		34,600	24,600	14.50	12.20	32,000	24,300	34,600	8.75	21,600
	CA*F061*2*+TXV	G*V950905D**		34,600	24,600	15.00	12.50	32,000	24,300	34,600	8.75	21,600
	CA*F061*2*+TXV	G*V951155D**		34,600	24,600	15.00	12.50	32,000	24,300	34,600	8.75	21,600
	CA*F4860*6A*	G*V90905D**		34,600	24,600	15.00	12.50	32,000	24,300	34,600	8.75	21,600
	CA*F4860*6A*+EEP+TXV			36,000	25,600	14.00	12.00	33,300	25,300	34,600	8.75	22,000
	CA*F4860*6A*+MBE1600**-1+TXV			34,600	24,600	14.50	12.20	32,000	24,300	34,600	8.75	21,600
CA*F4860*6A*+MBE2000**-1+TXV			34,600	24,600	15.00	12.50	32,000	24,300	34,600	8.75	21,600	
CA*F4860*6A*+MBR1600**-1+TXV			34,600	24,600	14.00	12.00	32,000	24,300	34,600	8.75	21,600	
CA*F4860*6A*+TXV	G*E80905C**		34,600	24,600	14.50	12.20	32,000	24,300	34,600	8.75	21,600	
CA*F4860*6A*+TXV	G*E81155C**		34,600	24,600	14.50	12.20	32,000	24,300	34,600	8.75	21,600	
CA*F4860*6A*+TXV	G*V80905C**		34,600	24,600	14.50	12.20	32,000	24,300	34,600	8.75	21,600	
CA*F4860*6A*+TXV	G*V81155C**		34,600	24,600	14.50	12.20	32,000	24,300	34,600	8.75	21,600	
CA*F4860*6A*+TXV	G*V90905D**		34,600	24,600	15.00	12.50	32,000	24,300	34,600	8.75	21,600	
CA*F4860*6A*+TXV	G*V950704C**		34,600	24,600	14.50	12.20	32,000	24,300	34,600	8.75	21,600	
CA*F4860*6A*+TXV	G*V950905D**		34,600	24,600	15.00	12.50	32,000	24,300	34,600	8.75	21,600	
CA*F4860*6A*+TXV	G*V951155D**		34,600	24,600	15.00	12.50	32,000	24,300	34,600	8.75	21,600	
CA*F4961*6A*	G*V90905D**		34,600	24,600	15.00	12.50	32,000	24,300	34,600	8.75	21,600	
CA*F4961*6A*+EEP+TXV			36,000	25,600	14.00	12.00	33,300	25,300	34,600	8.75	22,000	
CA*F4961*6A*+MBE1600**-1+TXV			34,600	24,600	14.50	12.20	32,000	24,300	34,600	8.75	21,600	
CA*F4961*6A*+MBE2000**-1+TXV			34,600	24,600	15.00	12.50	32,000	24,300	34,600	8.75	21,600	
CA*F4961*6A*+MBR1600**-1+TXV			34,600	24,600	14.00	12.00	32,000	24,300	34,600	8.75	21,600	

See Notes on Page 24.

ARI PERFORMANCE RATINGS (CONT.)

Outdoor Unit	Indoor Units		Cooling Capacity (BTU/h)		TVA Ratings ³		Heating Capacity (BTU/h)		ARI #
	Coil & Blower Units	Furnace	Total	Sens.	Total	Sens.	High	HSPF ⁴	
GSH14 0361A* (cont.)	CA*F4961*6A*+TXV	G*E80905C**	34,600	24,600	14.50	12.20	34,600	8.75	1346723
	CA*F4961*6A*+TXV	G*E811555C**	34,600	24,600	14.50	12.20	34,600	8.75	1346724
	CA*F4961*6A*+TXV	G*V80905C**	34,600	24,600	14.50	12.20	34,600	8.75	1346725
	CA*F4961*6A*+TXV	G*V811555C**	34,600	24,600	14.50	12.20	34,600	8.75	1346726
	CA*F4961*6A*+TXV	G*V90905D**	34,600	24,600	15.00	12.50	34,600	8.75	1346727
	CA*F4961*6A*+TXV	G*V950704C**	34,600	24,600	14.50	12.20	34,600	8.75	1346728
	CA*F4961*6A*+TXV	G*V950905D**	34,600	24,600	15.00	12.50	34,600	8.75	1346729
	CA*F4961*6A*+TXV	G*V951155D**	34,600	24,600	15.00	13.00	34,600	9.00	1347177
	CHPF3642C6A*+MBE1600**-1+TXV		35,000	24,900	15.00	12.50	34,600	8.75	1278396
	CHPF3743C6A*+MBE1600**-1A*+TXV		35,000	24,900	15.00	12.50	34,600	8.75	1347604
	CHPF4860D6A*+EEP+TXV		34,600	24,600	14.00	12.00	34,600	8.75	1145048
	CHPF4860D6A*+MBE1600**-1+TXV		34,600	24,600	15.00	12.50	34,600	9.00	1145058
	CHPF4860D6A*+MBE2000**-1A*+TXV		34,600	24,600	15.00	12.50	34,600	9.00	1145314
	CHPF4860D6A*+TXV	G*E80905C**	35,200	25,000	14.50	12.20	34,600	8.75	1294001
	CHPF4860D6A*+TXV	G*V80905C**	35,200	25,000	14.50	12.20	34,600	8.75	1294002
	CHPF4860D6A*+TXV	G*V90905D**	34,600	24,600	15.00	12.50	34,600	9.00	1145047
	CHPF4860D6A*+TXV	G*V950905D**	34,600	24,600	15.00	12.50	34,600	9.00	1128622
	CHPF4860D6A*+TXV	G*V951155D**	34,600	24,600	15.00	12.50	34,600	9.00	1128625
	CHPF4860D6C*+EEP+TXV		34,600	24,600	14.00	12.00	34,600	8.75	1330342
	CHPF4860D6C*+MBE1600**-1A*+TXV		34,600	24,600	15.00	12.50	34,600	9.00	1330343
CHPF4860D6C*+MBE2000**-1A*+TXV		34,600	24,600	15.00	12.50	34,600	9.00	1330344	
CHPF4860D6C*+TXV	G*E80905C**	35,200	25,000	14.50	12.20	34,600	8.75	1347602	
CHPF4860D6C*+TXV	G*V90905D**	34,600	24,600	15.00	12.50	34,600	9.00	1330345	
CHPF4860D6C*+TXV	G*V950905D**	34,600	24,600	15.00	12.50	34,600	9.00	1330346	
CHPF4860D6C*+TXV	G*V951155D**	34,600	24,600	15.00	12.50	34,600	9.00	1330347	
CSCF4860N6A*+EEP+TXV		34,600	24,600	14.00	12.00	34,600	8.75	1145049	
CSCF4860N6A*+TXV	G*V90905D**	34,600	24,600	15.00	12.50	34,600	8.75	1128626	
CSCF4860N6A*+TXV	G*V951155D**	34,600	24,600	15.00	12.50	34,600	8.75	1128627	
CSCF4860N6C*+EEP+TXV		34,600	24,600	14.00	12.00	34,600	8.75	1296647	

¹ Seasonal Energy Efficiency Ratio; Certified per ARI 210/240 @ 80°F/67°F/95°F ² Energy Efficiency Ratio @ 80°F/67°F/95°F
³ TVA Rating: BTU/h @ 75°F/63°F - 95°F ⁴ HSPF = Heating Seasonal Performance Factor

Notes:

- Always check the S&R plate for electrical data on the unit being installed.
- When matching the outdoor unit to the indoor unit, use the piston supplied with the outdoor unit or that specified on the piston kit chart supplied with the indoor unit.
- EEP - Order from Service Dept. Part No. B13707-38 or new Solid State Board B13707-35S. Part No. B13707-38 is not interchangeable with B13707-35S. The Goodman Gas Furnace contains the EEP cooling time delay

ARI PERFORMANCE RATINGS (CONT.)

Outdoor Unit	Indoor Units		Cooling Capacity (BTU/h)			TVA Ratings ³			Heating Capacity (BTU/h)		ARI #
	Coil & Blower Units	Furnace	Total	Sens.	SEER ¹	EER ²	Total	Sens.	High	HSPF ⁴	
GSH14 0361A* (cont.)	CSCF4860N6C*+TXV	G*V90905D**	34,600	24,600	15.00	12.50	32,000	24,300	34,600	8.75	21,600
	CSCF4860N6C*+TXV	G*V951155D**	34,600	24,600	15.00	12.50	32,000	24,300	34,600	8.75	21,600
	CT*F4860*6A*	G*V90905D**	34,600	24,600	15.00	12.50	32,000	24,300	34,600	8.75	21,600
	CT*F4860*6A*+MBE1600**,-1+TXV		34,600	24,600	14.50	12.20	32,000	24,300	34,600	8.75	21,600
	CT*F4860*6A*+MBE2000**,-1+TXV		34,600	24,600	15.00	12.50	32,000	24,300	34,600	8.75	21,600
	CT*F4860*6A*+MBR1600**,-1+TXV		34,600	24,600	14.00	12.00	32,000	24,300	34,600	8.75	21,600
	CT*F4860*6A*+TXV	G*E80905C**	34,600	24,600	14.50	12.20	32,000	24,300	34,600	8.75	21,600
	CT*F4860*6A*+TXV	G*E81155C**	34,600	24,600	14.50	12.20	32,000	24,300	34,600	8.75	21,600
	CT*F4860*6A*+TXV	G*V80905C**	34,600	24,600	14.50	12.20	32,000	24,300	34,600	8.75	21,600
	CT*F4860*6A*+TXV	G*V81155C**	34,600	24,600	15.00	12.50	32,000	24,300	34,600	8.75	21,600
	CT*F4860*6A*+TXV	G*V90905D**	34,600	24,600	14.50	12.20	32,000	24,300	34,600	8.75	21,600
	CT*F4860*6A*+TXV	G*V950704C**	34,600	24,600	14.50	12.20	32,000	24,300	34,600	8.75	21,600
	CT*F4860*6A*+TXV	G*V950905D**	34,600	24,600	15.00	12.50	32,000	24,300	34,600	8.75	21,600
	H61F+TXV	G*V90905D**	34,600	24,600	15.00	12.50	32,000	24,300	34,600	8.75	21,600
H61F+TXV	G*V951155D**	34,600	24,600	15.00	12.50	32,000	24,300	34,600	8.75	21,600	
GSH14 0421A*	ADPF486016A*+TXV		38,500	30,000	13.50	11.80	35,600	29,500	39,500	9.00	25,000
	ADPF486016B*+TXV		38,500	30,000	13.50	11.80	35,600	29,500	39,500	9.00	25,000
	AEPF426016A*+TXV		39,500	30,800	15.00	12.50	36,500	30,300	39,500	9.00	25,000
	AEPF426016B*+TXV		39,500	30,800	15.00	12.50	36,500	30,300	39,500	9.00	25,000
	AEPF426016C*+TXV		39,500	30,800	15.00	12.50	36,500	30,300	39,500	9.00	25,000
	AAPT060-00*-1*		39,500	30,800	15.00	12.50	36,500	30,300	39,500	9.00	25,000
	AR*F374316B*+TXV		39,500	30,800	14.00	12.00	36,500	30,300	39,500	9.00	25,000
	ARPF374316A*+TXV		40,000	31,200	14.00	12.00	37,000	30,700	39,000	9.00	25,000
	ARUF374316A*+TXV		39,500	30,800	14.00	12.00	36,500	30,300	39,500	9.00	25,000
	ASPF426016A*+TXV		39,500	30,800	15.00	12.50	36,500	30,300	40,000	9.00	27,400
	ASPF426016B*+TXV		39,500	30,800	15.00	12.50	36,500	30,300	40,000	9.00	27,400
	AT*F374316A*+TXV		39,500	30,800	14.00	12.00	36,500	30,300	39,500	9.00	25,000
	CA*F061*2*+MBE2000**,-1+TXV		39,500	30,800	15.00	12.50	36,500	30,300	39,500	9.00	25,000
	CA*F061*2*+MBR2000**,-1+TXV		39,500	30,800	14.00	12.00	36,500	30,300	39,500	9.00	25,000
CA*F061*2*+TXV	G*V950905D**	39,500	30,800	15.00	12.50	36,500	30,300	39,500	9.00	25,000	
CA*F061*2*+TXV	G*V951155D**	39,500	30,800	15.00	12.50	36,500	30,300	39,500	9.00	25,000	
CA*F4860*6A*+EEP+TXV		40,000	31,200	14.00	12.00	37,000	30,700	39,000	9.00	25,000	
CA*F4860*6A*+MBE2000**,-1+TXV		39,500	30,800	15.00	12.50	36,500	30,300	39,500	9.00	25,000	
CA*F4860*6A*+MBR2000**,-1+TXV		39,500	30,800	14.00	12.00	36,500	30,300	39,500	9.00	25,000	
CA*F4860*6A*+TXV		39,500	30,800	14.50	12.50	36,500	30,300	39,500	8.75	24,000	

See Notes on Page 28.

ARI PERFORMANCE RATINGS (CONT.)

Outdoor Unit	Indoor Units		Cooling Capacity (BTU/h)			Heating Capacity (BTU/h)			ARI #
	Coil & Blower Units	Furnace	Total	Sens.	SEER ¹	EER ²	Total	Sens.	
GSH14 0421A* (cont.)	CA*F4860*6A*+TXV	G*V950905D**	39,500	30,800	15.00	12.50	36,500	30,300	890105
	CA*F4860*6A*+TXV	G*V951155D**	39,500	30,800	15.00	12.50	36,500	30,300	890313
	CA*F4961*6A*+EEP+TXV		40,000	31,200	14.00	12.00	37,000	30,700	1347222
	CA*F4961*6A*+MBE2000**,-1+TXV		39,500	30,800	15.00	12.50	36,500	30,300	1346730
	CA*F4961*6A*+MBR2000**,-1+TXV		39,500	30,800	14.00	12.00	36,500	30,300	1347178
	CA*F4961*6A*+TXV	G*V80905C**	39,500	30,800	14.50	12.50	36,500	30,300	1346731
	CA*F4961*6A*+TXV	G*V950905D**	39,500	30,800	15.00	12.50	36,500	30,300	1346732
	CA*F4961*6A*+TXV	G*V951155D**	39,500	30,800	15.00	12.50	36,500	30,300	1346733
	CHPF060D2*+MBR2000**,-1+TXV		39,500	30,800	14.00	12.50	36,500	30,300	890347
	CHPF060D2*+TXV	G*V951155D**	39,500	30,800	15.00	12.50	36,500	30,300	890264
	CHPF4860*6A*+MBE2000**,-1+TXV		39,500	30,800	15.00	12.00	36,500	30,300	890025
	CHPF4860*6A*+TXV	G*V950905D**	39,500	30,800	15.00	12.50	36,500	30,300	890117
	CHPF4860*6A*+TXV	G*V951155D**	39,500	30,800	15.00	12.50	36,500	30,300	890280
	CHPF4860D6A*+EEP+TXV		40,000	31,200	14.00	12.00	37,000	30,700	1046124
	CHPF4860D6A*+MBR2000**,-1+TXV		40,000	31,200	14.00	12.00	37,000	30,700	1031772
	CHPF4860D6A*+TXV	G*V80704B**	39,500	30,800	14.50	12.50	36,500	30,300	1328877
	CHPF4860D6C*+EEP+TXV		40,000	31,200	14.00	12.00	37,000	30,700	1330351
	CHPF4860D6C*+MBE2000**,-1A*+TXV		39,500	30,800	15.00	12.00	36,500	30,300	1330348
	CHPF4860D6C*+MBR2000**,-1A*+TXV		40,000	31,200	14.00	12.00	37,000	30,700	1330352
	CHPF4860D6C*+TXV	G*V80704B**	39,500	30,800	14.50	12.50	36,500	30,300	1347603
CHPF4860D6C*+TXV	G*V950905D**	39,500	30,800	15.00	12.50	36,500	30,300	1330349	
CHPF4860D6C*+TXV	G*V951155D**	39,500	30,800	15.00	12.50	36,500	30,300	1330350	
CSCF4860N6A*+EEP+TXV		39,000	30,400	14.00	12.00	36,100	30,000	1145050	
CSCF4860N6A*+TXV	G*V950905D**	39,500	30,800	15.00	12.50	36,500	30,300	1031657	
CSCF4860N6A*+TXV	G*V951155D**	39,500	30,800	15.00	13.00	36,500	30,300	1031662	
CSCF4860N6C*+EEP+TXV		39,000	30,400	14.00	12.00	36,100	30,000	1296650	
CSCF4860N6C*+TXV	G*V950905D**	39,500	30,800	15.00	12.50	36,500	30,300	1296651	
CSCF4860N6C*+TXV	G*V951155D**	39,500	30,800	15.00	13.00	36,500	30,300	1296652	
CT*F4860*6A*+MBE2000**,-1+TXV		39,500	30,800	15.00	12.50	36,500	30,300	1450015	
CT*F4860*6A*+MBR2000**,-1+TXV		39,500	30,800	14.00	12.00	36,500	30,300	1450016	
CT*F4860*6A*+TXV	G*V80905C**	39,500	30,800	14.50	12.50	36,500	30,300	1450017	
CT*F4860*6A*+TXV	G*V950905D**	39,500	30,800	15.00	12.50	36,500	30,300	1450018	
CT*F4860*6A*+TXV	G*V951155D**	39,500	30,800	15.00	12.50	36,500	30,300	1450019	
H61F+MBR2000**,-1+TXV		39,500	30,800	15.00	12.50	36,500	30,300	890349	
H61F+TXV	G*V951155D**	39,500	30,800	15.00	12.50	36,500	30,300	1031654	

See Notes on Page 28.

ARI PERFORMANCE RATINGS (CONT.)

Outdoor Unit	Indoor Units		Cooling Capacity (BTU/h)			Heating Capacity (BTU/h)			ARI #
	Coil & Blower Units	Furnace	Total	Sens.	SEER ¹	EER ²	Total	Sens.	
	ADPF48601A*+TXV		46,000	34,000	13.50	11.75	42,600	33,700	890391
	AEPF426016A*+TXV		45,500	33,700	15.00	12.50	42,100	33,300	1031651
	AEPF426016B*+TXV		45,500	33,700	15.00	12.50	42,100	33,300	1277856
	AEPF426016C*+TXV		45,500	33,700	15.00	12.50	42,100	33,300	1492600
	AEPF060-00*-1*		45,500	33,700	15.00	12.50	42,100	33,300	890135
	AR*F374316B*+TXV		46,000	34,000	14.00	12.00	42,600	33,700	1492648
	AR*F486016A*+TXV		45,000	33,300	14.00	12.00	41,600	32,900	1438577
	AR*F486016B*+TXV		45,000	33,300	14.00	12.00	41,600	32,900	1492601
	ARPF374316A*+TXV		47,000	34,800	14.00	12.00	43,500	34,400	1044498
	ARUF374316A*+TXV		46,000	34,000	14.00	12.00	42,600	33,700	1031655
	ASPF426016A*+TXV		45,500	33,700	15.00	12.50	42,100	33,300	1288559
	ASPF426016B*+TXV		45,500	33,700	15.00	12.50	42,100	33,300	1492602
	AT*F374316A*+TXV		46,000	34,000	14.00	12.00	42,600	33,700	1483546
	AT*F486016A*+TXV		45,000	33,300	14.00	12.00	41,600	32,900	1483547
	CA*F061*2*	G*V950905D**	46,000	34,000	14.50	12.00	42,600	33,700	890373
	CA*F061*2*+MBE2000**+1+TXV	G*V950905D**	46,000	34,000	14.50	12.00	42,600	33,700	890426
	CA*F061*2*+TXV	G*V950905D**	46,000	34,000	14.50	12.00	42,600	33,700	890083
GSH14	CA*F4860*6A*	G*V950905D**	46,000	34,000	14.50	12.00	42,600	33,700	1031649
0481A*	CA*F4860*6A*+EEP+TXV	G*V950905D**	46,000	34,000	14.00	12.00	42,600	33,700	890265
	CA*F4860*6A*+MBE2000**+1+TXV	G*V950905D**	46,000	34,000	15.00	12.50	42,600	33,700	1038368
	CA*F4860*6A*+MBR2000**+1+TXV	G*V950905D**	46,000	34,000	15.00	12.50	42,600	33,700	890449
	CA*F4860*6A*+TXV	G*V91155D**	46,000	34,000	14.00	12.00	42,600	33,700	890119
	CA*F4860*6A*+TXV	G*V950905D**	46,000	34,000	14.50	12.00	42,600	33,700	890361
	CA*F4860*6A*+TXV	G*V950905D**	46,000	34,000	14.50	12.00	42,600	33,700	890126
	CA*F4961*6A*	G*V950905D**	46,000	34,000	14.50	12.00	42,600	33,700	1031667
	CA*F4961*6A*+EEP+TXV	G*V950905D**	46,000	34,000	14.50	12.00	42,600	33,700	1347223
	CA*F4961*6A*+MBE2000**+1+TXV	G*V91155D**	46,000	34,000	14.00	12.00	42,600	33,700	1347224
	CA*F4961*6A*+MBR2000**+1+TXV	G*V91155D**	46,000	34,000	15.00	12.50	42,600	33,700	1346734
	CA*F4961*6A*+TXV	G*V91155D**	46,000	34,000	14.00	12.00	42,600	33,700	1347179
	CA*F4961*6A*+TXV	G*V950905D**	46,000	34,000	14.50	12.00	42,600	33,700	1346735
	CA*F4961*6A*+TXV	G*V950905D**	46,000	34,000	14.50	12.00	42,600	33,700	1346736
	CA*F4961*6A*+TXV	G*V950905D**	46,000	34,000	14.50	12.00	42,600	33,700	1346737
	CHPF060D2*	G*V950905D**	46,000	34,000	14.50	12.00	42,600	33,700	890300
	CHPF4860D6A*+EEP+TXV		46,000	34,000	14.00	12.00	42,600	33,700	1046125
	CHPF4860D6A*+MBR2000**+1+TXV		46,000	34,000	14.50	12.00	42,600	33,700	890362

See Notes on Page 28.

ARI PERFORMANCE RATINGS (CONT.)

Outdoor Unit	Indoor Units		Cooling Capacity (BTU/h)			Heating Capacity (BTU/h)			ARI #		
	Coil & Blower Units	Furnace	Total	Sens.	SEER ¹	EER ²	Total	Sens.		High	HSPF ⁴
GSH14 0481A* (cont.)	CHPF4860D6A*+TXV	G*V951155D**	46,000	34,000	14.50	12.00	42,600	33,700	46,000	8.50	30,000
	CHPF4860D6C*+EEP+TXV		46,000	34,000	14.00	12.00	42,600	33,700	46,000	8.50	29,000
	CHPF4860D6C*+MBR2000**-1A*+TXV		46,000	34,000	14.50	12.00	42,600	33,700	46,000	8.50	30,000
	CHPF4860D6C*+TXV	G*V951155D**	46,000	34,000	14.50	12.00	42,600	33,700	46,000	8.50	30,000
	CSCF4860N6A*+MBR2000**-1+TXV		46,000	34,000	14.50	12.00	42,600	33,700	46,000	8.50	30,000
	CSCF4860N6A*+TXV	G*V950905D**	46,000	34,000	14.50	12.00	42,600	33,700	46,000	8.50	30,000
	CSCF4860N6A*+TXV	G*V951155D**	46,000	34,000	14.50	12.00	42,600	33,700	46,000	8.50	30,000
	CSCF4860N6C*+MBR2000**-1+TXV		46,000	34,000	14.50	12.00	42,600	33,700	46,000	8.50	30,000
	CSCF4860N6C*+TXV	G*V950905D**	46,000	34,000	14.50	12.00	42,600	33,700	46,000	8.50	30,000
	CSCF4860N6C*+TXV	G*V951155D**	46,000	34,000	14.50	12.00	42,600	33,700	46,000	8.50	30,000
GSH14 0601A*	CT*F4860*6A*+MBE2000**-1+TXV		46,000	34,000	15.00	12.50	42,600	33,700	46,000	8.75	30,000
	CT*F4860*6A*+MBR2000**-1+TXV		46,000	34,000	14.00	12.00	42,600	33,700	46,000	8.50	30,000
	CT*F4860*6A*+TXV	G*V91155D**	46,000	34,000	14.50	12.00	42,600	33,700	46,000	8.50	30,000
	CT*F4860*6A*+TXV	G*V950905D**	46,000	34,000	14.50	12.00	42,600	33,700	46,000	8.50	30,000
	CT*F4860*6A*+TXV	G*V951155D**	46,000	34,000	14.50	12.00	42,600	33,700	46,000	8.50	30,000
	H61F	G*V950905D**	46,000	34,000	14.50	12.00	42,600	33,700	46,000	8.80	30,000
	H61F+MBR2000**-1+TXV		46,000	34,000	14.50	12.00	42,600	33,700	46,000	8.50	30,000
	H61F+TXV	G*V950905D**	46,000	34,000	14.50	12.00	42,600	33,700	46,000	8.50	30,000
	H61F+TXV	G*V951155D**	46,000	34,000	14.50	12.00	42,600	33,700	46,000	8.50	30,000
	GSH14 0601A*	ADPF486016A*+TXV		55,000	41,800	13.50	11.80	50,900	41,200	55,000	8.50
AEPF426016A*+TXV			55,500	42,200	14.50	12.00	51,300	41,600	54,000	9.00	33,000
AEPF426016B*+TXV			55,500	42,200	14.50	12.00	51,300	41,600	54,000	9.00	33,000
AEPF426016C*+TXV			55,500	42,200	14.50	12.00	51,300	41,600	54,000	9.00	33,000
AAPT060-00*-1*			55,500	42,200	14.50	12.00	51,300	41,600	54,000	9.00	33,000
AR*F496116A*+TXV			55,000	41,800	14.00	11.80	50,900	41,200	55,000	8.50	34,000
ARPF486016A*+TXV			55,500	42,200	13.50	11.50	51,300	41,600	55,000	8.50	33,000
ARPF48601A*+TXV			55,500	42,200	13.50	11.50	51,300	41,600	55,000	8.50	33,000
ARPT061-00*-1*+TXV			55,500	42,200	13.50	11.50	51,300	41,600	55,000	8.50	33,000
ARUF061-00*-1*+TXV			55,500	42,200	13.50	11.50	51,300	41,600	55,000	8.50	33,000
GSH14 0601A*	ARUF486016A*+TXV		55,500	42,200	13.50	11.50	51,300	41,600	55,000	8.50	33,000
	ARUF48601A*+TXV		55,500	42,200	13.50	11.50	51,300	41,600	55,000	8.50	33,000
	ASPF426016A*+TXV		55,500	42,200	14.50	12.00	51,300	41,600	56,000	8.75	33,000
	ASPF426016B*+TXV		55,500	42,200	14.50	12.00	51,300	41,600	56,000	8.75	33,000
	AT*F486016A*+TXV		55,500	42,200	13.50	11.50	51,300	41,600	55,000	8.50	33,000
	CA*F061*2*+MBE2000**-1+TXV		55,500	42,200	15.00	12.50	51,300	41,600	54,000	9.00	33,000
	CA*F061*2*+MBR2000**-1+TXV		55,500	42,200	14.00	12.00	51,300	41,600	55,000	8.50	33,000
	CA*F061*2*+TXV	G*V81155C**	55,000	41,800	14.00	12.00	50,900	41,200	55,000	8.50	34,000

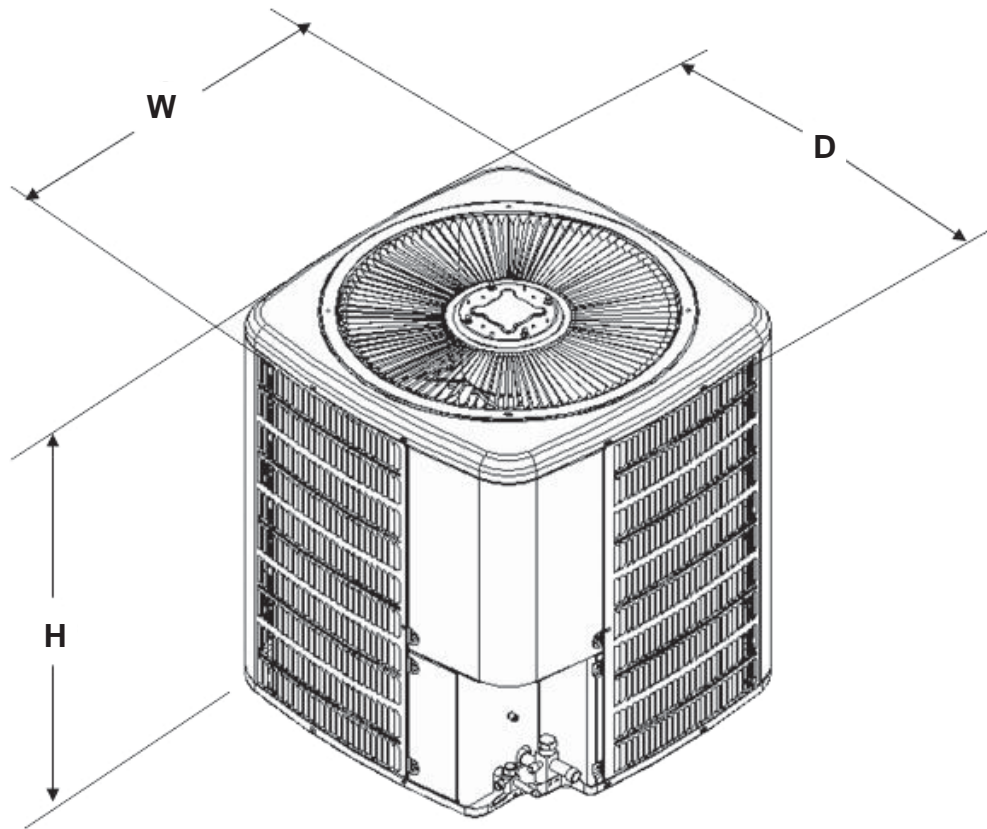
See Notes on Page 28.

ARI PERFORMANCE RATINGS (CONT.)

Outdoor Unit	Indoor Units		Cooling Capacity (BTU/h)			TVA Ratings ³			Heating Capacity (BTU/h)			ARI #
	Coil & Blower Units	Furnace	Total	Sens.	SEER ¹	EER ²	Total	Sens.	High	HSPF ⁴	Low	
GSH14 0601A* (cont.)	CA*F061*2*+TXV	G*V951155D**	55,500	42,200	14.00	12.00	51,300	41,600	55,000	8.50	33,000	890344
	CA*F4860*6A*+EEP+TXV		55,000	41,800	14.00	12.00	50,900	41,200	55,000	8.50	34,000	1038365
	CA*F4860*6A*+MBE2000**-1+TXV		55,500	42,200	15.00	12.50	51,300	41,600	54,000	9.00	33,000	8903336
	CA*F4860*6A*+MBR2000**-1+TXV		55,500	42,200	14.00	12.00	51,300	41,600	55,000	8.50	33,000	8903334
	CA*F4860*6A*+TXV	G*V950905D**	55,500	42,200	14.00	12.00	51,300	41,600	55,000	8.50	33,000	8900042
	CA*F4860*6A*+TXV	G*V951155D**	55,500	42,200	14.00	12.00	51,300	41,600	55,000	8.75	34,000	1032326
	CA*F4961*6A*+EEP+TXV		55,000	41,800	14.00	12.00	50,900	41,200	55,000	8.50	34,000	1347225
	CA*F4961*6A*+MBE2000**-1+TXV		55,500	42,200	15.00	12.50	51,300	41,600	54,000	9.00	33,000	1346738
	CA*F4961*6A*+MBR2000**-1+TXV		55,500	42,200	14.00	12.00	51,300	41,600	55,000	8.50	33,000	1347180
	CA*F4961*6A*+TXV	G*V950905D**	55,500	42,200	14.00	12.00	51,300	41,600	55,000	8.50	33,000	1346739
	CA*F4961*6A*+TXV	G*V951155D**	55,500	42,200	14.00	12.00	51,300	41,600	55,000	8.75	34,000	1346740
	CHPF060*2*+MBR2000**-1+TXV		55,500	42,200	14.00	12.50	51,300	41,600	54,000	8.50	33,000	890379
	CHPF060D2*+TXV	G*V950905D**	55,500	42,200	13.50	11.50	51,300	41,600	54,000	8.50	33,000	890427
	CHPF060D2*+TXV	G*V951155D**	55,500	42,200	13.50	11.50	51,300	41,600	54,000	8.50	33,000	890073
	CHPF4860*6A*+MBE2000**-1+TXV		55,500	42,200	15.00	12.00	51,300	41,600	55,000	8.50	33,000	890248
	CHPF4860D6A*+EEP+TXV		55,000	41,800	14.00	12.00	50,900	41,200	55,000	8.50	34,000	1046126
	CHPF4860D6A*+MBR2000**-1+TXV		55,000	41,800	14.00	12.00	50,900	41,200	55,000	8.50	34,000	1031773
	CHPF4860D6A*+TXV	G*V950905D**	55,500	42,200	13.50	11.50	51,300	41,600	54,000	8.50	33,000	890270
	CHPF4860D6A*+TXV	G*V951155D**	55,500	42,200	13.50	11.50	51,300	41,600	54,000	8.50	33,000	890368
	CHPF4860D6C*+EEP+TXV		55,000	41,800	14.00	12.00	50,900	41,200	55,000	8.50	34,000	1330357
	CHPF4860D6C*+MBE2000**-1A*+TXV		55,500	42,200	15.00	12.00	51,300	41,600	55,000	8.50	33,000	1330356
	CHPF4860D6C*+MBR2000**-1A*+TXV		55,000	41,800	14.00	12.00	50,900	41,200	55,000	8.50	34,000	1330358
	CHPF4860D6C*+TXV	G*V950905D**	55,500	42,200	13.50	11.50	51,300	41,600	54,000	8.50	33,000	1330359
	CHPF4860D6C*+TXV	G*V951155D**	55,500	42,200	13.50	11.50	51,300	41,600	54,000	8.50	33,000	1330360
	CSCF4860N6A*+MBR2000**-1+TXV		55,500	42,200	14.00	11.50	51,300	41,600	54,000	8.50	33,000	1031674
	CSCF4860N6A*+TXV	G*V90905D**	55,500	42,200	13.50	11.50	51,300	41,600	54,000	8.50	33,000	890022
	CSCF4860N6A*+TXV	G*V951155D**	55,500	42,200	13.50	11.50	51,300	41,600	54,000	8.50	33,000	890164
	CSCF4860N6C*+TXV	G*V90905D**	55,500	42,200	14.00	11.50	51,300	41,600	54,000	8.50	33,000	1296596
CSCF4860N6C*+TXV	G*V951155D**	55,500	42,200	13.50	11.50	51,300	41,600	54,000	8.50	33,000	1296655	
CSCF4860N6C*+TXV	G*V90905D**	55,500	42,200	13.50	11.50	51,300	41,600	54,000	8.50	33,000	1296656	
CSCF4860N6C*+TXV	G*V951155D**	55,500	42,200	15.00	12.50	51,300	41,600	54,000	9.00	33,000	1450025	
CT*F4860*6A*+MBE2000**-1+TXV		55,500	42,200	14.00	12.00	51,300	41,600	55,000	8.50	33,000	1450026	
CT*F4860*6A*+MBR2000**-1+TXV		55,500	42,200	14.00	12.00	51,300	41,600	55,000	8.50	33,000	1450027	
CT*F4860*6A*+TXV	G*V950905D**	55,500	42,200	14.00	12.00	51,300	41,600	55,000	8.50	33,000	1450028	
CT*F4860*6A*+TXV	G*V951155D**	55,500	42,200	14.00	12.00	51,300	41,600	55,000	8.75	34,000	890380	
H61F+MBR2000**-1+TXV		55,500	42,200	14.00	11.50	51,300	41,600	54,000	8.50	33,000	890142	
H61F+TXV	G*V90905D**	55,500	42,200	13.50	11.50	51,300	41,600	54,000	8.50	33,000	890142	
H61F+TXV	G*V951155D**	55,500	42,200	13.50	11.50	51,300	41,600	54,000	8.50	33,000	890352	

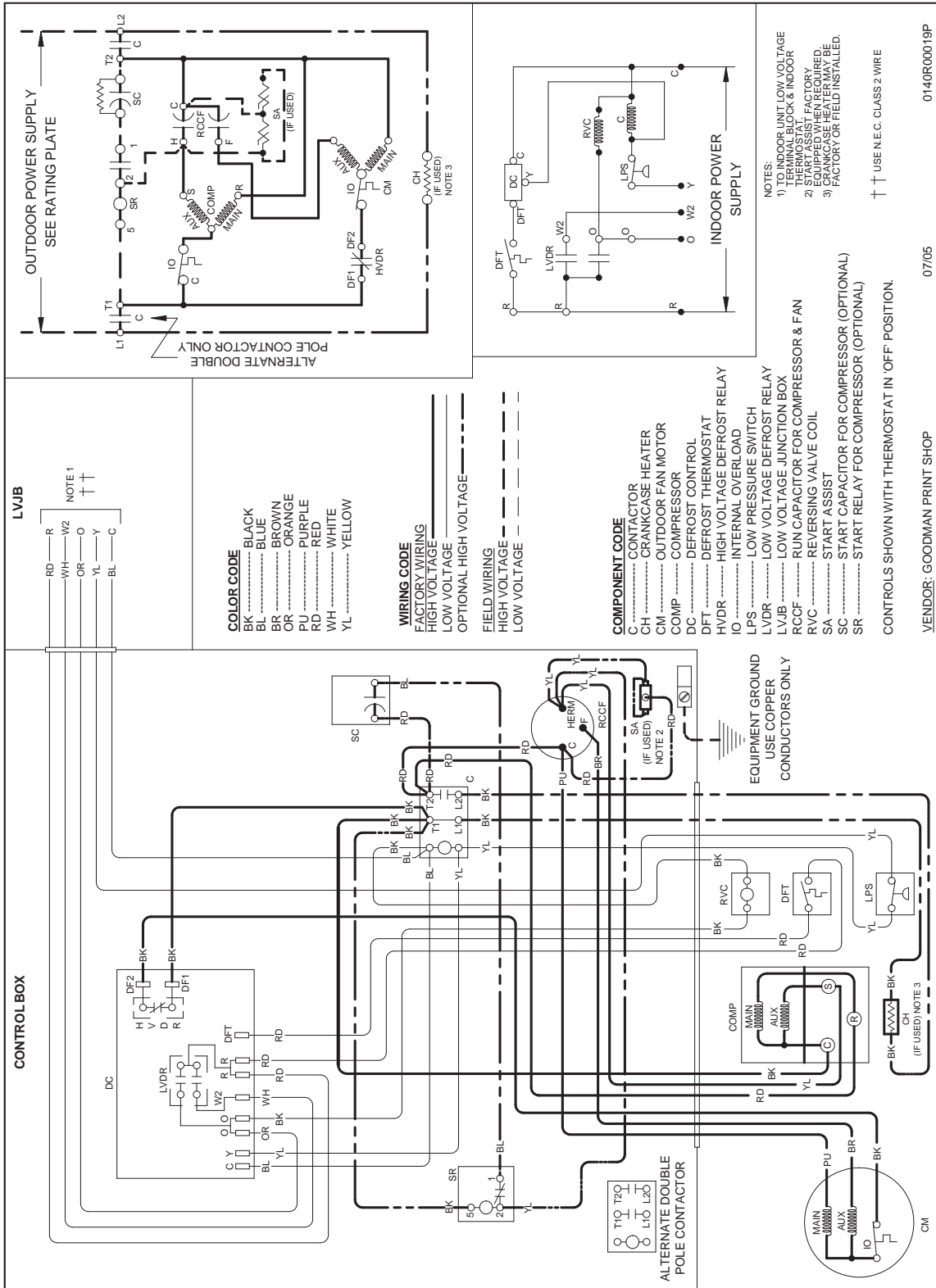
See Notes on Page 28.

DIMENSIONS



Model	Dimensions W x D x H
GSH140181A	29 x 29 x 34¼
GSH140241A	29 x 29 x 38¼
GSH140301A	29 x 29 x 38¼
GSH140361A	35½ x 35½ x 38¼
GSH140421A	35½ x 35½ x 38¼
GSH140481A	35½ x 35½ x 38¼
GSH140601A	35½ x 35½ x 38¼

WIRING DIAGRAM



Wiring diagram is subject to change. Always refer to the msot up-to-date schematic.

WARNING High Voltage: Disconnect all power before servicing or installing this unit. Multiple power sources may be present. Failure to do so may cause property damage, personal injury, or death.

ACCESSORIES

Model	Description	GSH14 018	GSH14 024	GSH14 030	GSH14 036	GSH14 042	GSH14 048	GSH14 060
ABK-20	Anchor Bracket Kit *	X	X	X	X	X	X	X
ASC-01	Anti-Short Cycle Kit	X	X	X	X	X	X	X
CSR-U-1	Hard-start Kit	X	X	X	X			
CSR-U-2	Hard-start Kit				X	X	X	X
CSR-U-3	Hard-start Kit						X	X
FSK01A ¹	Freeze Protection Kit	X	X	X	X	X	X	X
OT18-60A ²	Outdoor Thermostat	X	X	X	X	X	X	X
OY/EHR18-60	Emergency Heat Relay Kit	X	X	X	X	X	X	X
TX2N2 ³	TXV Kit	X						
TX3N2 ³	TXV Kit		X	X	X			
TX5N2 ³	TXV Kit					X	X	X

* Contains 20 brackets; four brackets needed to anchor unit to pad

¹ Installed on indoor coil

² Required for heat pump applications where ambient temperatures fall below 0 °F with 50% or higher relative humidity.

³ Field-installed, non-bleed, expansion valve kit

