



Air Conditioning & Heating

PRODUCT SPECIFICATIONS



FLOW-THRU BYPASS AND FLOW-THRU FAN-POWERED OUTPUT CAPACITIES 14, 18, OR 19 GALLONS PER DAY



For full details on our warranties, visit www.goodmanmfg.com

HUM SERIES

HIGH-CAPACITY HUMIDIFIERS

The Goodman® HUM Bypass and Fan-Powered High-Capacity Humidifiers are a good choice for homes with warm-air heating systems. The durable thermoplastic cabinet resists rust, corrosion, and warping.

Standard Features

- Designed to fit today's narrower plenums, as narrow as 10" (HUM-SFTBP) and 14" (HUM-LFTBP, HUM-FP)
- Reversible side panels with snap-lock fittings permit easy change: left or right bypass installation (HUM-SFTBP, HUM-LFTBP)
- Ideal for installations where the return air plenum is not easily accessible (HUM-FP)
- Summer shut-off damper reduces bypass air through the humidifier during the summer months (HUM-SFTBP, HUM-LFTBP)
- Improved wicking and water distribution system accommodates non-level plenums
- Low profile makes unit ideal in limited spaces
- Evaporator pad dispenses water evenly in front of a warm air stream to evaporate and efficiently raise the humidity level

Cabinet Features

- Durable thermoplastic cabinet resists rust, corrosion, and warping
- Architectural Gray UV-resistant plastic exterior

Accessories

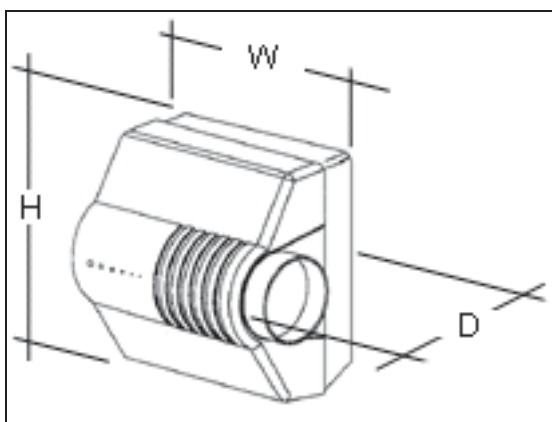
- Installation Package (humidistat, self-piercing saddle valve, mounting template, and mounting hardware)
- Remote Sensing Relay (HUM-A50)
- Evaporator Pad for HUM-LFTBP and HUM-FP (HUM-1725051)
- Evaporator Pad for HUM-SFTBP (HUM-1725052)
- In-line Filters (HUM-1319051)



SPECIFICATIONS

| Model | Description | Voltage | Moisture Output Capacity | | | Weight (Lbs.) |
|-----------|-------------------------|---------|--------------------------|-----------------------------|-------------------|---------------|
| | | | Lbs. / Hour | Gals. / Hour @ 120 *F (GPH) | Gals. / Day (GPD) | |
| HUM-SFTBP | Small, Flow-Thru Bypass | 24 | 4.84 | 0.58 | 14 | 10 |
| HUM-LFTBP | Large, Flow-Thru Bypass | 24 | 6.26 | 0.75 | 18 | 11 |
| HUM-FP | Fan-Powered Flow-Thru | 110 | 6.60 | 0.79 | 19 | 15 |

DIMENSIONS



| Model | HUM-SFTBP | HUM-LFTBP | HUM-FP |
|-------------------------|----------------------------------|---|---|
| Width | 9 ⁵ / ₈ " | 9 ⁵ / ₈ " | 9 ⁵ / ₈ " |
| Depth | 12 ¹ / ₂ " | 13 ³ / ₄ " | 13 ³ / ₄ " |
| Height | 13 ¹ / ₂ " | 18 ⁵ / ₈ " | 18 ⁵ / ₈ " |
| Plenum Opening (H x W) | 10" x 9" | 16 ⁵ / ₈ " x 10 ⁵ / ₈ " | 16 ⁵ / ₈ " x 13 ¹ / ₈ " |
| Bypass Opening Diameter | 6" | 6" | N/A |

HUMIDIFIER SIZING CHART

| Model | Recommended Max. Home Size (ft ²) | | | Recommended Max. Home Size (ft ³) | | | GPD @ 120°F for an 8' Ceiling |
|-----------|---|---------|-------|---|---------|--------|-------------------------------|
| | Tight | Average | Loose | Tight | Average | Loose | |
| HUM-SFTBP | 3,333 | 2,121 | 1,647 | 26,664 | 16,968 | 13,016 | 14 |
| HUM-LFTBP | 4,285 | 2,725 | 1,955 | 34,280 | 21,800 | 15,640 | 18 |
| HUM-FP | 4,525 | 2,880 | 2,065 | 36,200 | 23,040 | 16,520 | 19 |

Note: Ratings and calculations are from ARI 630. Some installations may allow for an additional bypass tube, which can boost performance by approximately 20 %. Requires purchase of additional parts.

House Size Definitions:

Tight House: Insulated walls and ceilings; vapor barriers; weather stripping on doors and windows; snug doors, windows and fireplace damper. One-half air change per hour.

Average House: Insulated walls and ceilings; vapor barriers; loose doors, windows and fireplace damper. One air change per hour.

Loose House: No insulation, storm doors, storm windows, weather stripping or vapor barriers. Two air changes per hour.

