

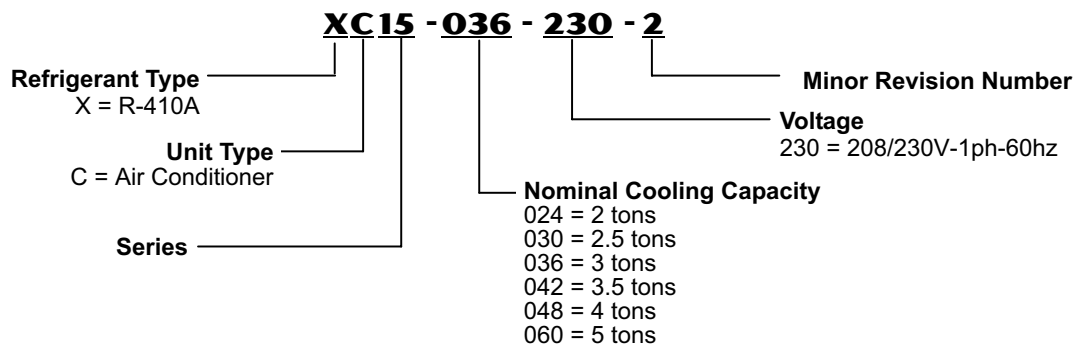


Bulletin No. 210456  
January 2007  
Supersedes June 2006



**SEER - up to 17.0**  
**2 to 5 Tons**  
**Cooling Capacity - 22,000 to 56,000 Btuh**

**MODEL NUMBER IDENTIFICATION**



## FEATURES

### CONTENTS

ARI Ratings	Pages 9 - 23
Dimensions	Page 6
Electrical Data	Page 5
Features	Pages 2 - 4
Field Wiring	Page 7
Indoor Coil / Air Handler Substitution	Page 8
Installation Clearances	Page 7
Model Number Identification	Page 1
Outdoor Sound Data	Page 7
Specifications	Page 5

### EQUIPMENT WARRANTY

**Compressor** - limited warranty for **ten years** in residential installations and five years in non-residential installations.

**All other covered components - ten years** in residential installations and one year in non-residential installations. Refer to Lennox Equipment Limited Warranty certificate included with unit for specific details.

### APPLICATIONS

SEER up to 17.0.

2 through 5 ton.

Single phase power supply.

Vertical air discharge allows concealment behind shrubs at grade level or out of sight on a roof.

Matching add-on furnace indoor coils or air handlers provide a wide range of cooling capacities and applications. See ARI Ratings tables.

See Indoor Coils and Air Handlers tab sections for data.

Units shipped completely factory assembled, piped, and wired. Each unit is test operated at the factory insuring proper operation.

Installer must set air conditioner, connect refrigerant lines, and make electrical connections to complete job.

### APPROVALS

Certified in accordance with USE certification program which is based on ARI Standard 210/240.

Tested in the Lennox Research Laboratory environmental test room.

Rated according to U.S. Department of Energy (DOE) test procedures.

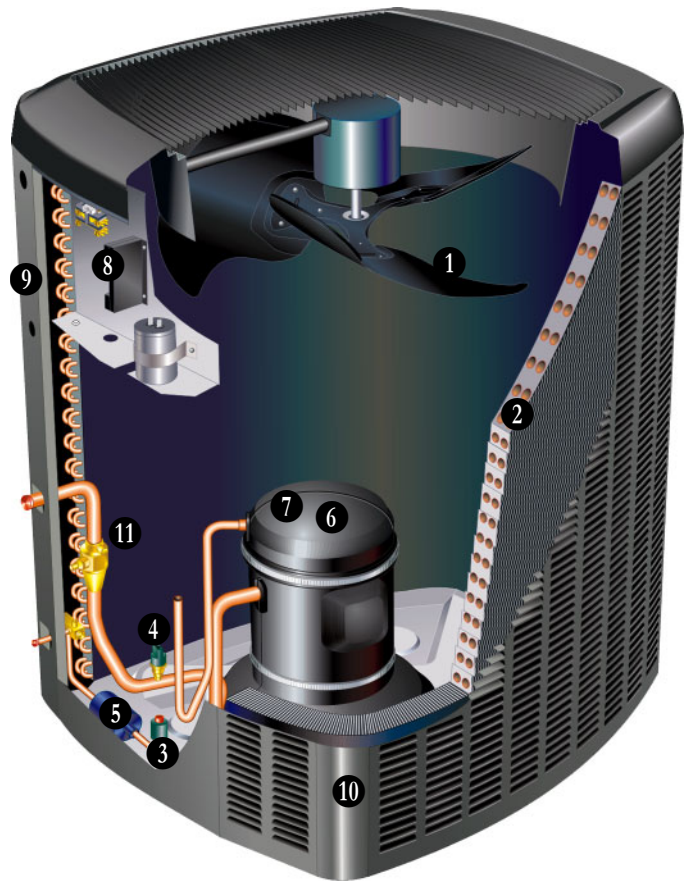
Condensing units and components within bonded for grounding to meet safety standards for servicing required by UL and CEC.

Units are UL and ULC listed.

ISO 9001 Registered Manufacturing Quality System.

ENERGY STAR® certified units are designed to use less energy, help save money on utility bills, and help protect the environment. Many Lennox home comfort systems meet ENERGY STAR requirements when used with matching components.

For expanded ratings, see [www.lennox.com](http://www.lennox.com).



### REFRIGERATION SYSTEM

#### Refrigerant

Non-chlorine, ozone friendly, R-410A.



Unit pre-charged with refrigerant. See Specification table.

#### 1 Condenser Fan with SilentComfort™ Technology

Specially-designed, SilentComfort fan guard uses Passive Vortex Suppression to reduce air noise. Corrosion-resistant PVC (polyvinyl chloride) coated steel wire.

Specially designed fan blades reduce operating sound levels. Direct drive fan moves large air volumes uniformly through entire condenser coil for high refrigerant cooling capacity.

Vertical air discharge minimizes operating sounds and eliminates damage to lawn and shrubs.

Fan motor is inherently protected.

Motor totally enclosed for maximum protection from weather, dust and corrosion.

Fan service access accomplished by removal of fan guard.

#### 2 Copper Tube/Enhanced Fin Coil

Lennox designed and fabricated coil.

Ripple-edged aluminum fins.

Copper tube construction.

Lanced fins provide maximum exposure of fin surface to air stream resulting in excellent heat transfer.

Fin collars grip tubing for maximum contact area.

Flared shoulder tubing connections/silver soldering construction.

Coil is factory tested under high pressure to insure leakproof construction.

Entire coil is accessible for cleaning.

## FEATURES

### REFRIGERATION SYSTEM (CONTINUED)

- 3 **High Pressure Switch**  
Shuts off unit if abnormal operating conditions cause the discharge pressure to rise above setting.  
Protects compressor from excessive condensing pressure.  
Manual reset.
- 4 **Low Pressure Switch**  
Shuts off unit if suction pressure falls below setting.  
Provides loss of charge and freeze-up protection.  
Automatic reset.
- 5 **Hi-Capacity Liquid Line Drier**  
Factory installed in the liquid line, the drier traps moisture or dirt that could contaminate the refrigerant system.  
100% molecular-sieve bead type drier.

### OPTIONS

#### Expansion Valve Kits

Must be ordered extra and field installed on certain evaporator units. See ARI Ratings tables.  
Chatleff style fitting.

#### Freezestat

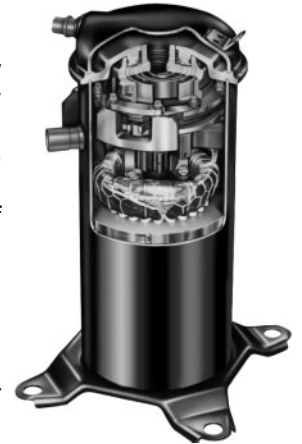
Installs on or near the discharge line of the evaporator or on the suction line.  
Senses suction line temperature and cycles the compressor off when suction line temperature falls below its setpoint.  
Opens at 29°F and closes at 58°F.

#### Refrigerant Line Kits

Refrigerant lines (suction & liquid) are shipped refrigeration clean. Lines are cleaned, dried, pressurized, and sealed at factory.  
Suction line fully insulated.  
L15 lines are stubbed at both ends.  
See Specifications table for selection.  
Not available for -060 model and must be field fabricated.

### COMPRESSOR

- 6 **Scroll Compressor**  
Compressor features high efficiency with uniform suction flow, constant discharge flow and high volumetric efficiency and quiet operation.  
Compressor consists of two involute spiral scrolls matched together to generate a series of crescent shaped gas pockets between them.  
During compression, one scroll remains stationary while the other scroll orbits around it.  
Gas is drawn into the outer pocket, the pocket is sealed as the scroll rotates.  
As the spiral movement continues, gas pockets are pushed to the center of the scrolls. Volume between the pockets is simultaneously reduced.  
When pocket reaches the center, gas is now at high pressure and is forced out of a port located in the center of the fixed scrolls.  
During compression, several pockets are compressed simultaneously resulting in a smooth continuous compression cycle.  
Continuous flank contact, maintained by centrifugal force, minimizes gas leakage and maximizes efficiency.  
Scroll compressor is tolerant to the effects of slugging and contaminants. If this occurs, scrolls separate, allowing liquid or contaminants to be worked toward the center and discharged.  
Low gas pulses during compression reduces operational sound levels.  
Compressor motor is internally protected from excessive current and temperature.  
Compressor is installed in the unit on resilient rubber mounts for vibration free operation.  
Factory installed crankcase heater.
- 7 **Crankcase Heater**  
Crankcase heater prevents migration of liquid refrigerant into compressor and ensures proper compressor lubrication.
- 7 **Compressor Sound Cover**  
A Lennox-exclusive, sand-filled, polypropylene copolymer, compressor cover dramatically reduces compressor sound levels.



## FEATURES

### CONTROLS

#### 8 Lennox System Operations Monitor

Provides detailed information for proper preventive maintenance and fast, easy servicing.

Displays the most common fault conditions through indicator LED's:

Monitor detects both mechanical and electrical system problems.

Monitors only and does not provide safety protection.

When an abnormal condition is detected, communicates the specific condition through the ALERT and TRIP lights. POWER LED (green) - indicates voltage within the range of 19-28VAC is present at the power connection.

ALERT LED (yellow) - communicates an abnormal system condition through a unique flash code. The ALERT LED will flash a number of times consecutively, pause and then repeat the process. The number of consecutive flashes, defined as the Flash Code, correlates to a particular abnormal condition. The codes can indicate one of the following: long run time, system pressure trip (discharge or suction pressure out-of-limits or compressor overloaded), short cycling, locked rotor, open circuit, open start circuit (current present only in run circuit), open run circuit (current present only in start circuit), welded contactor (compressor runs continuously), or low voltage (control circuit < 17VAC).

TRIP LED (red) - indicates there is a demand signal from the thermostat but no current to the compressor is detected by the monitor.



#### 9 CABINET

Heavy-gauge steel construction

Pre-painted cabinet finish.

Painted base section.

Control box is conveniently located with all controls factory wired.

Large removable panel provides service access.

Drainage holes are provided in base section for moisture removal.

High density polyethylene unit support feet raise the unit off of the mounting surface, away from damaging moisture.

#### 10 SmartHinge™ Louvered Coil Protection

Steel louvered panels provides complete coil protection.

Panels are hinged to allow easy cleaning and servicing of coils.

Panels may be completely removed.

Interlocking tabs and slots assure tight fit on cabinet.



#### Refrigerant Line Connections, Electrical Inlets and Service Valves

Suction and liquid lines are located on corner of unit cabinet and are made with sweat connections. See dimension drawing.

11 Fully serviceable brass service valves prevent corrosion and provide access to refrigerant system. Suction valve can be fully shut off, while liquid valve may be front seated to manage refrigerant charge while servicing system.

Suction and liquid line service valves and gauge ports are located inside the cabinet.

Refrigerant line connections and field wiring inlets are located in one central area of the cabinet. See dimension drawing.

### OPTIONS

#### Compressor Hard Start Kit

Single-phase units are equipped with a PSC compressor motor.

This type of motor normally does not need a potential relay and start capacitor.

In conditions such as low voltage, kit may be required to increase the compressor starting torque.

#### Compressor Time-Off Control

Kit prevents compressor short-cycling and allows time for suction and discharge pressure to equalize.

Permits compressor start-up in an unloaded condition.

Automatic reset with 5 minute delay between compressor shut-off and start-up.

#### Indoor Blower Off Delay Relay

Delays the indoor blower-off time during the cooling cycle.

See ARI Rating Tables for usage.

#### Low Ambient Kit

Air conditioners will operate satisfactorily down to 45°F outdoor air temperature without any additional controls.

Kit can be added in the field enabling unit to operate properly down to 30°F.

A freezestat should be installed on compressors equipped with a low ambient kit.

A compressor lock-out thermostat should be added to terminate compressor operation below recommended operation conditions (on/off operation, 30°F or modulating operation, 0°F).

#### Thermostat

Thermostat not furnished with unit. See Thermostat bulletins in Controls Section and Lennox Price Book.

## SPECIFICATIONS

General Data		Model No.	XC15-024	XC15-030	XC15-036	XC15-042	XC15-048	XC15-060
Nominal Tonnage			2	2.5	3	3.5	4	5
Connections (sweat)	Liquid line (o.d.) - in.		3/8	3/8	3/8	3/8	3/8	3/8
	Suction line (o.d.) - in.		3/4	3/4	3/4	7/8	7/8	1-1/8
Refrigerant	<sup>1</sup> R-410A charge furnished		8 lbs. 10 oz.	8 lbs. 10 oz.	9 lbs. 2 oz.	9 lbs. 13 oz.	12 lbs. 2 oz.	13 lbs. 0 oz.
Outdoor Coil	Net face area - sq. ft.	Outer coil	20.73	20.73	20.73	20.73	27.21	27.21
		Inner coil	20.08	20.08	20.08	20.08	26.36	26.36
	Tube diameter - in.	5/16	5/16	5/16	5/16	5/16	5/16	
	No. of rows	2	2	2	2	2	2	
	Fins per inch	22	22	22	22	22	22	
Outdoor Fan	Diameter - in.		26	26	26	26	26	26
	No. of blades		3	3	3	3	3	3
	Motor hp		1/15	1/15	1/12	1/12	1/5	1/5
	Cfm		2100	2100	2300	2300	3910	3910
	Rpm		825	825	825	825	825	825
	Watts		100	100	112	112	212	212
Shipping Data - lbs. 1 pkg.			273	274	276	299	346	351

## ELECTRICAL DATA

Line voltage data - 60hz		208/230V-1ph	208/230V-1ph	208/230V-1ph	208/230V-1ph	208/230V-1ph	208/230V-1ph
<sup>2</sup> Maximum overcurrent protection (amps)		30	30	35	40	50	60
<sup>3</sup> Minimum circuit ampacity		17.4	18.1	21.5	23.1	28.4	34.1
Compressor	Rated load amps	13.5	14.1	16.7	17.9	21.8	26.4
	Locked rotor amps	58.3	73.0	79.0	112.0	117.0	134.0
	Power factor	0.97	0.97	0.98	0.93	0.96	0.98
Outdoor Fan Motor	Full load amps	0.5	0.5	0.65	0.65	1.1	1.1
	Locked rotor amps	0.8	0.8	1.1	1.1	2.1	2.1

## OPTIONAL ACCESSORIES - MUST BE ORDERED EXTRA

Compressor Hard Start Kit	88M91	•	•	•	•	•	•
Compressor Low Ambient Cut-Off	45F08	•	•	•	•	•	•
Compressor Time-Off Control	47J27	•	•	•	•	•	•
Freezestat	3/8 in. tubing	93G35	•	•	•	•	•
	5/8 in. tubing	50A93	•	•	•	•	•
Low Ambient Kit	34M72	•	•	•	•	•	•
Refrigerant Line Sets	L15-41-20	L15-41-40	•	•	•		
	L15-41-30	L15-41-50					
	L15-65-30	L15-65-40				•	•
		L15-65-50					
	Field Fabricate						•
Indoor Blower Off Delay Relay	58M81	•	•	•	•	•	•

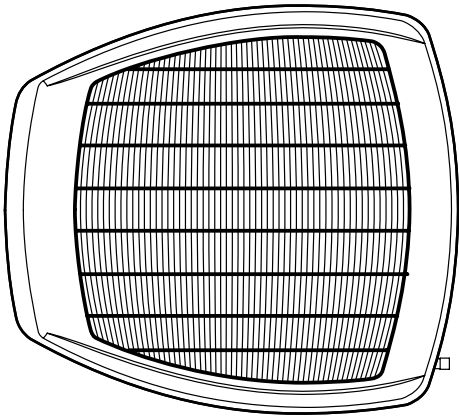
NOTE - Extremes of operating range are plus 10% and minus 5% of line voltage.

<sup>1</sup> Refrigerant charge sufficient for 15 ft. length of refrigerant lines.

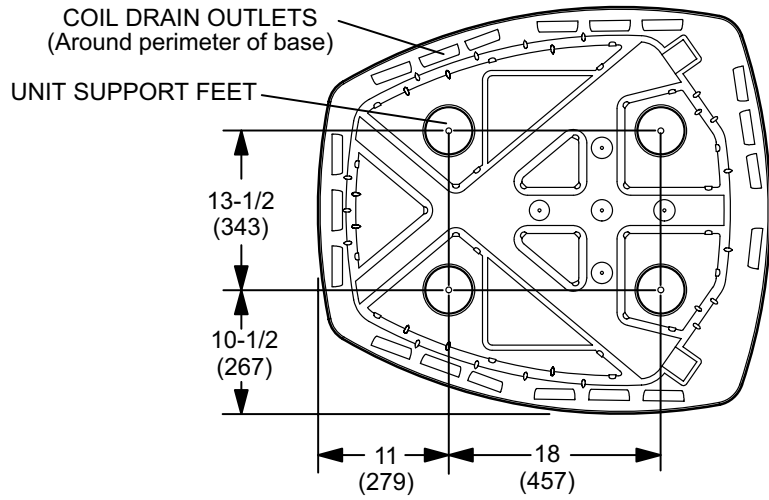
<sup>2</sup> HACR type breaker or fuse.

<sup>3</sup> Refer to National or Canadian Electrical Code manual to determine wire, fuse and disconnect size requirements.

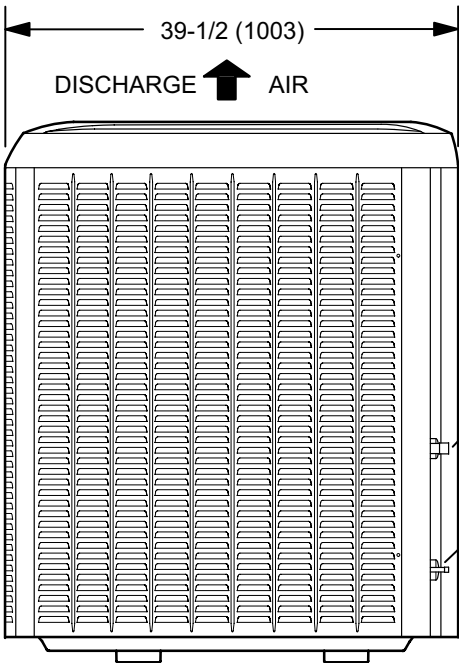
**DIMENSIONS – INCHES (MM)**



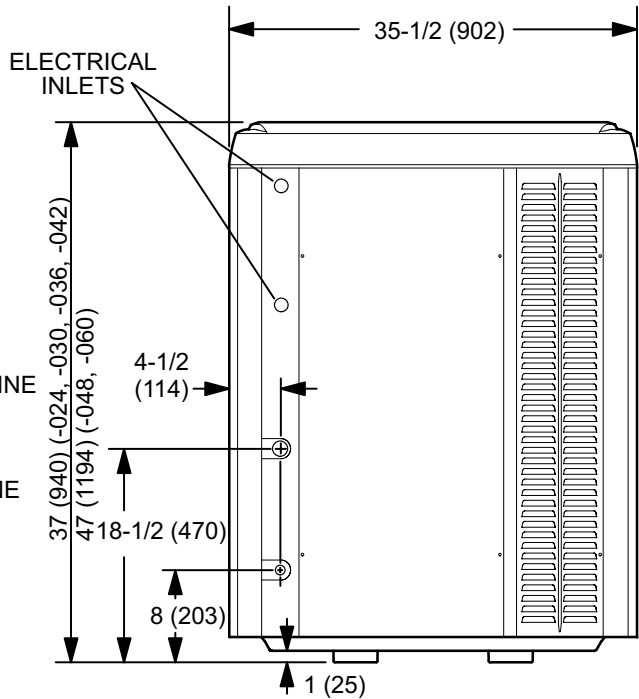
**TOP VIEW**



**TOP VIEW BASE SECTION**



**SIDE VIEW**



**ACCESS VIEW**

## INSTALLATION CLEARANCES

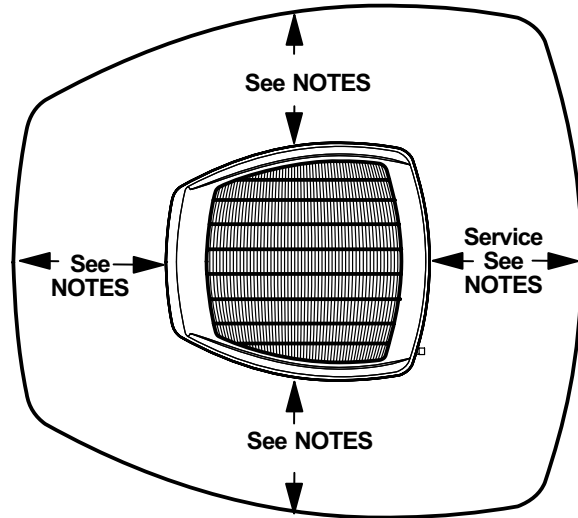
### NOTES:

One of these three sides must be 36 in. (914 mm).  
 One of the two remaining sides may be 12 in. (305 mm).  
 The remaining side may be 6 in. (152 mm).

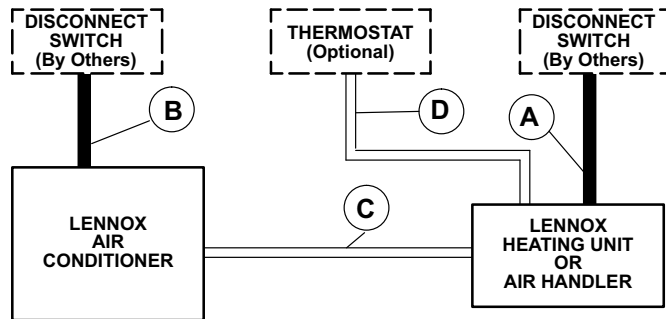
Service Clearance - 30 in. (762 mm)

48 in. (1219 mm) clearance required on top of unit

24 in. (610 mm) required between two units



## FIELD WIRING



A — Two Wire Power (not furnished)

B — Two Power (not furnished) — See Electrical Data

C — Four Wire Low Voltage (not furnished) — 18 ga. minimum

D — Six Wire Low Voltage (not furnished) — 18 ga. minimum

All wiring must conform to NEC or CEC and local electrical codes.

## OUTDOOR SOUND DATA

1 Unit Model No.	Octave Band Sound Power Levels dBA, re 10 <sup>-12</sup> Watts							1Sound Rating Number (dB)
	Center Frequency - HZ							
	125	250	500	1000	2000	4000	8000	
XC15-024	39.0	46.5	54.5	57.0	57.5	52.5	44.5	64
XC15-030	39.0	46.5	54.5	57.5	58.0	49.5	51.0	65
XC15-036	57.5	58.0	62.0	61.5	59.0	53.5	49.0	68
XC15-042	58.0	59.0	62.0	59.5	58.0	53.0	46.0	68
XC15-048	59.5	61.0	65.0	63.0	60.0	55.0	48.0	70
XC15-060	60.0	62.0	64.5	63.5	60.5	56.0	49.5	70

NOTE - the octave sound power data does not include tonal correction.

<sup>1</sup> Tested according to ARI Standard 270-95 test conditions.



## ARI RATINGS - INDOOR COIL / AIR HANDLER SUBSTITUTION

### Substituting Coils in the ARI Tables

Most R-22 and R-410A indoor coils and air handlers are the same except for the factory installed expansion device. C33 coils can be used in place of the CX34 coils, CB26UH, CB27UH, CB30M and CB31MV air handlers can be used in place of the CBX26UH, CBX27UH, CBX32M and CBX32MV, respectively.

The expansion device is based on the size of the outdoor unit. The factory installed RFC or TXV on the C33/CB26UH/CB27UH/CB30M/CB31MV must be replaced to correspond to the outdoor unit. The correct TXV's are:

1.5-2.5 ton air conditioners	<b>37L51</b>
3-3.5 ton air conditioners	<b>39L72</b>
4-5 ton air conditioners	<b>91M02</b>

### Example:

A four-ton air conditioner is being installed. The ARI table shows that CBX32MV-048 is a matching air handler. A CB31MV-51 with a 91M02 TXV can be used in its place.

### UP-FLOW COILS

	R-410A	=	R-22
CX34-18/24A-6F		=	C33-24A-2
CX34-18/24B-6F		=	C33-24B-2
CX34-18/24C-6F		=	C33-24C-2
CX34-19A-6F		=	C33-19A-2
CX34-25A-6F		=	C33-25A-2
CX34-25B-6F		=	C33-25B-2
CX34-30A-6F		=	C33-30A-2
CX34-30B-6F		=	C33-30B-2
CX34-30C-6F		=	C33-30C-2
CX34-31A-6F		=	C33-31A-2
CX34-31B-6F		=	C33-31B-2
CX34-36A-6F		=	C33-36A-2
CX34-36B-6F		=	C33-36B-2
CX34-36C-6F		=	C33-36C-2
CX34-38A-6F		=	C33-38A-2
CX34-38B-6F		=	C33-38B-2
CX34-42B-6F		=	C33-42B-2
CX34-43B-6F		=	C33-43B-2
CX34-43C-6F		=	C33-43C-2
no equivalent			C33-44C-2
CX34-44/48B-6F		=	C33-48B-2
CX34-44/48C-6F		=	C33-48C-2
CX34-49C-6F		=	C33-49C-2
CX34-50/60C-6F		=	C33-50/60C-2
CX34-60D-6F		=	C33-60D-2
CX34-62C-6F		=	C33-62C-2
CX34-62D-6F		=	C33-62D-2

### AIR HANDLERS

	R-410A	=	R-22
CBX26UH-018		=	CB26UH-018
CBX26UH-024		=	CB26UH-024
CBX26UH-030		=	CB26UH-030
CBX26UH-036		=	CB26UH-036
CBX26UH-042		=	CB26UH-042
CBX26UH-048		=	CB26UH-048
CBX26UH-060		=	CB26UH-060
CBX27UH-018/024		=	CB27UH-018/024
CBX27UH-030		=	CB27UH-030
CBX27UH-036		=	CB27UH-036
CBX27UH-042		=	CB27UH-042
CBX27UH-048		=	CB27UH-048
CBX27UH-060		=	CB27UH-060
CBX32M-018/024		=	CB30M-21/26
CBX32M-030		=	CB30M-31
CBX32M-036		=	CB30M-41
CBX32M-042		=	CB30M-46
CBX32M-048		=	CB30M-51
CBX32M-060		=	CB30M-65
CBX32MV-018/024			no equivalent
CBX32MV-024/030			no equivalent
CBX32MV-036		=	CB31MV-41
CBX32MV-048		=	CB31MV-51
CBX32MV-060		=	CB31MV-65
CBX32MV-068			no equivalent



## ARI RATINGS

1 ARI Standard 210/240 Ratings					Indoor Unit Model No.	Expansion Device
Cooling Capacity Btuh	Efficiency		Total Unit Watts			
	SEER	EER				
<b>XC15-024</b>					<b>2 TON</b>	
<b>Up-Flow Indoor Coils</b>				<b>Up-Flow Coils</b>		
22,800	14.00	11.50	1985	3 CX34-18/24A/B-6F	Factory TXV	
22,800	14.00	11.50	1985	3 CX34-30A/B-6F	Factory TXV	
23,200	14.20	11.70	1985	3 CX34-19A-6F	Factory TXV	
23,400	14.20	11.70	2000	3 CX34-36A/B-6F	Factory TXV	
23,600	14.50	12.00	1965	3 CX34-25A/B-6F	Factory TXV	
23,800	14.70	12.00	1985	3 CX34-31A/B-6F	Factory TXV	
24,200	14.70	12.20	1985	3 CX34-38A/B-6F	Factory TXV	
<b>Up-Flow Indoor Coils + Furnace</b>				<b>Up-Flow Coils + Furnace</b>		
23,000	15.00	12.50	1840	5 CX34-18/24A-6F	4 G60UHV-36A-070	Factory TXV
23,200	15.00	12.20	1900	CX34-18/24B-6F	4 G61MPV-36B-045	Factory TXV
23,200	15.20	12.50	1855	CX34-18/24B-6F	4 G61MPV-36B-070	Factory TXV
23,200	15.20	12.50	1855	CX34-30A-6F	4 G60UHV-36A-070	Factory TXV
23,200	15.20	12.50	1855	CX34-30B-6F	4 G61MPV-36B-045	Factory TXV
23,200	15.20	12.50	1855	CX34-30B-6F	4 G61MPV-36B-070	Factory TXV
23,200	15.50	12.70	1825	CX34-18/24B-6F	4 G60UHV-36B-090	Factory TXV
23,400	15.50	12.70	1845	CX34-30B-6F	4 G60UHV-36B-090	Factory TXV
23,600	15.50	12.70	1860	CX34-19A-6F	4 G60UHV-36A-070	Factory TXV
24,000	15.70	12.70	1890	CX34-36B-6F	4 G61MPV-36B-045	Factory TXV
24,000	15.70	13.00	1845	CX34-25A-6F	4 G60UHV-36A-070	Factory TXV
24,000	15.70	13.00	1845	CX34-36B-6F	4 G61MPV-36B-070	Factory TXV
24,000	15.70	13.20	1820	CX34-36A-6F	4 G60UHV-36A-070	Factory TXV
24,000	16.00	13.20	1820	CX34-36B-6F	4 G60UHV-36B-090	Factory TXV
24,200	15.70	13.00	1860	CX34-25B-6F	4 G61MPV-36B-045	Factory TXV
24,200	15.70	13.00	1860	CX34-25B-6F	4 G61MPV-36B-070	Factory TXV
24,200	16.20	13.20	1835	CX34-25B-6F	4 G60UHV-36B-090	Factory TXV
24,400	16.00	13.00	1875	CX34-31A-6F	4 G60UHV-36A-070	Factory TXV
24,400	16.00	13.00	1875	CX34-31B-6F	4 G61MPV-36B-045	Factory TXV
24,400	16.00	13.20	1850	CX34-31B-6F	4 G61MPV-36B-070	Factory TXV
24,400	16.50	13.50	1805	CX34-31B-6F	4 G60UHV-36B-090	Factory TXV
24,600	16.00	13.20	1865	CX34-38B-6F	4 G61MPV-36B-045	Factory TXV
24,600	16.00	13.20	1865	CX34-38B-6F	4 G61MPV-36B-070	Factory TXV
24,600	16.20	13.20	1865	CX34-38A-6F	4 G60UHV-36A-070	Factory TXV
24,600	16.50	13.50	1820	CX34-38B-6F	4 G60UHV-36B-090	Factory TXV
<b>Down-Flow Indoor Coils</b>				<b>Down-Flow Coils</b>		
23,200	14.20	11.70	1985	3 CR33-24A-F	2 <b>37L51</b>	
23,400	14.50	12.00	1950	3 CR33-48B-F	2 <b>37L51</b>	
23,800	14.50	12.00	1985	3 CR33-30/36A/B-F	2 <b>37L51</b>	

<sup>1</sup> Certified in accordance with USE certification program which is based on ARI Standard 210/240; 95°F outdoor air temperature, 80°F db / 67°F wb entering evaporator air with 25 ft. of connecting refrigerant lines.

<sup>2</sup> **Factory installed RFC or expansion valve on indoor unit MUST be replaced with expansion valve kit (ordered separately).**

<sup>3</sup> Blower must be capable of time-off blower delay. Indoor Blower Off Delay Relay (58M81) is recommended for field installation.

<sup>4</sup> Blower control must be set for a time-off blower delay.

<sup>5</sup> Most popular indoor coil.

## ARI RATINGS

<sup>1</sup> ARI Standard 210/240 Ratings

Cooling Capacity Btuh	Efficiency		Total Unit Watts	Indoor Unit Model No.	Expansion Device
	SEER	EER			
<b>XC15-024</b>					<b>2 TON</b>
<b>Down-Flow Indoor Coils + Furnace</b>				<b>Down-Flow Coils</b>	<b>+ Furnace</b>
23,400	14.70	12.20	1920	CR33-18A-F	<sup>4</sup> G60DFV-36A-070 <sup>2</sup> 37L51
23,800	15.20	12.50	1905	CR33-24A-F	<sup>4</sup> G60DFV-36A-070 <sup>2</sup> 37L51
24,200	15.70	13.00	1860	CR33-30/36B-F	<sup>4</sup> G61MPV-36B-045 <sup>2</sup> 37L51
24,200	15.70	13.00	1860	CR33-30/36B-F	<sup>4</sup> G61MPV-36B-070 <sup>2</sup> 37L51
24,400	15.70	13.00	1875	CR33-30/36A-F	<sup>4</sup> G60DFV-36A-070 <sup>2</sup> 37L51
<b>Horizontal Indoor Coils</b>				<b>Horizontal Coils</b>	
22,000	13.50	11.20	1965	<sup>3</sup> CH23-21	<sup>2</sup> 37L51
22,400	13.70	11.50	1950	<sup>3</sup> CH23-31	<sup>2</sup> 37L51
23,000	14.00	11.70	1965	<sup>3</sup> CH33-24/30A-2F	<sup>2</sup> 37L51
23,000	14.20	11.70	1965	<sup>3</sup> CH33-19A-2F	<sup>2</sup> 37L51
23,200	14.20	11.70	1985	<sup>3</sup> CH23-41	<sup>2</sup> 37L51
23,400	14.20	12.00	1950	<sup>3</sup> CH33-36A/B-2F	<sup>2</sup> 37L51
23,400	14.50	12.00	1950	<sup>3</sup> CH33-25B-2F	<sup>2</sup> 37L51
23,600	14.50	12.00	1965	<sup>3</sup> CH33-25A-2F	<sup>2</sup> 37L51
24,000	14.70	12.00	2000	<sup>3</sup> CH33-31A/B-2F	<sup>2</sup> 37L51
<b>Horizontal Indoor Coils + Furnace</b>				<b>Horizontal Coils</b>	<b>+ Furnace</b>
22,600	14.70	12.20	1850	CH23-21	<sup>4</sup> G60UHV-36A-070 <sup>2</sup> 37L51
22,600	14.70	12.20	1850	CH23-21	<sup>4</sup> G61MPV-36B-045 <sup>2</sup> 37L51
22,600	14.70	12.20	1850	CH23-21	<sup>4</sup> G61MPV-36B-070 <sup>2</sup> 37L51
22,600	15.20	12.50	1810	CH23-21	<sup>4</sup> G60UHV-36B-090 <sup>2</sup> 37L51
22,800	15.00	12.50	1825	CH23-31	<sup>4</sup> G60UHV-36A-070 <sup>2</sup> 37L51
22,800	15.00	12.50	1825	CH23-31	<sup>4</sup> G61MPV-36B-045 <sup>2</sup> 37L51
22,800	15.20	12.50	1825	CH23-31	<sup>4</sup> G61MPV-36B-070 <sup>2</sup> 37L51
22,800	15.50	12.70	1795	CH23-31	<sup>4</sup> G60UHV-36B-090 <sup>2</sup> 37L51
23,400	15.20	12.50	1870	CH33-24/30A-2F	<sup>4</sup> G60UHV-36A-070 <sup>2</sup> 37L51
23,600	15.50	12.70	1860	CH23-41	<sup>4</sup> G61MPV-36B-045 <sup>2</sup> 37L51
23,600	15.50	12.70	1860	CH33-19A-2F	<sup>4</sup> G60UHV-36A-070 <sup>2</sup> 37L51
23,600	15.70	12.70	1860	CH23-41	<sup>4</sup> G60UHV-36A-070 <sup>2</sup> 37L51
23,600	15.70	13.00	1815	CH23-41	<sup>4</sup> G61MPV-36B-070 <sup>2</sup> 37L51
23,800	16.00	13.20	1805	CH23-41	<sup>4</sup> G60UHV-36B-090 <sup>2</sup> 37L51
24,000	15.50	13.00	1845	CH33-36B-2F	<sup>4</sup> G61MPV-36B-045 <sup>2</sup> 37L51
24,000	15.70	13.00	1845	CH33-25B-2F	<sup>4</sup> G61MPV-36B-045 <sup>2</sup> 37L51
24,000	15.70	13.00	1845	CH33-25B-2F	<sup>4</sup> G61MPV-36B-070 <sup>2</sup> 37L51
24,000	15.70	13.00	1845	CH33-25B-2F	<sup>4</sup> G61MPV-36B-071 <sup>2</sup> 37L51
24,000	15.70	13.00	1845	CH33-36A-2F	<sup>4</sup> G60UHV-36A-070 <sup>2</sup> 37L51
24,000	15.70	13.00	1845	CH33-36B-2F	<sup>4</sup> G61MPV-36B-070 <sup>2</sup> 37L51
24,000	16.00	13.20	1820	CH33-36B-2F	<sup>4</sup> G60UHV-36B-090 <sup>2</sup> 37L51
24,000	16.20	13.20	1820	CH33-25B-2F	<sup>4</sup> G60UHV-36B-090 <sup>2</sup> 37L51
24,200	15.70	13.00	1860	CH33-25A-2F	<sup>4</sup> G60UHV-36A-070 <sup>2</sup> 37L51
24,600	16.00	13.00	1890	CH33-31A-2F	<sup>4</sup> G60UHV-36A-070 <sup>2</sup> 37L51
24,600	16.00	13.20	1865	CH33-31B-2F	<sup>4</sup> G61MPV-36B-045 <sup>2</sup> 37L51
24,600	16.00	13.20	1865	CH33-31B-2F	<sup>4</sup> G61MPV-36B-070 <sup>2</sup> 37L51
24,600	16.00	13.20	1865	CH33-31B-2F	<sup>4</sup> G61MPV-36B-071 <sup>2</sup> 37L51
24,800	16.50	13.50	1835	CH33-31B-2F	<sup>4</sup> G60UHV-36B-090 <sup>2</sup> 37L51

<sup>1</sup> Certified in accordance with USE certification program which is based on ARI Standard 210/240; 95°F outdoor air temperature, 80°F db / 67°F wb entering evaporator air with 25 ft. of connecting refrigerant lines.

<sup>2</sup> Factory installed RFC or expansion valve on indoor unit MUST be replaced with expansion valve kit (ordered separately).

<sup>3</sup> Blower must be capable of time-off blower delay. Indoor Blower Off Delay Relay (58M81) is recommended for field installation.

<sup>4</sup> Blower control must be set for a time-off blower delay.

<sup>5</sup> Most popular indoor coil.

## ARI RATINGS

<sup>1</sup> ARI Standard 210/240 Ratings					Indoor Unit Model No.	Expansion Device
Cooling Capacity Btuh	Efficiency		Total Unit Watts			
	SEER	EER				
<b>XC15-024</b>					<b>2 TON</b>	
<b>Air Handlers</b>				<b>Air Handlers</b>		
23,400	14.50	12.00	1950	<sup>3</sup> CB30U-21/26 (Up-Flow)	<sup>2</sup> <b>37L51</b>	
23,400	14.50	12.00	1950	<sup>3</sup> CBX32M-018/024 (Multi-Position)	Factory TXV	
23,800	15.50	12.70	1875	<sup>4</sup> CBX32MV-018/024 (Multi-Position)	Factory TXV	
24,000	15.00	12.50	1920	<sup>3</sup> CB30U-41/46 (Up-Flow)	<sup>2</sup> <b>37L51</b>	
24,000	15.00	12.50	1920	<sup>3</sup> CBX32M-036 (Multi-Position)	Factory TXV	
24,000	15.20	12.70	1890	<sup>3</sup> CBX32M-030 (Multi-Position)	Factory TXV	
24,000	15.50	12.70	1890	<sup>3</sup> CB30U-31 (Up-Flow)	<sup>2</sup> <b>37L51</b>	
24,200	16.20	13.50	1795	<sup>4</sup> CBX32MV-024/030 (Multi-Position)	Factory TXV	
24,400	16.70	13.70	1780	<sup>4</sup> CBX27UH-024 (Up-Flow / Horizontal)	Factory TXV	
24,600	17.00	14.00	1755	<sup>4</sup> CBX27UH-030 (Up-Flow / Horizontal)	Factory TXV	
24,800	16.50	13.50	1835	<sup>4</sup> CBX32MV-036 (Multi-Position)	Factory TXV	

<sup>1</sup> Certified in accordance with USE certification program which is based on ARI Standard 210/240; 95°F outdoor air temperature, 80°F db / 67°F wb entering evaporator air with 25 ft. of connecting refrigerant lines.

<sup>2</sup> **Factory installed RFC or expansion valve on indoor unit MUST be replaced with expansion valve kit (ordered separately).**

<sup>3</sup> Blower must be capable of time-off blower delay. Indoor Blower Off Delay Relay (**58M81**) is recommended for field installation.

<sup>4</sup> Blower control must be set for a time-off blower delay.

<sup>5</sup> Most popular match-up.

## ARI RATINGS

<sup>1</sup> ARI Standard 210/240 Ratings

Cooling Capacity Btuh	Efficiency		Total Unit Watts	Indoor Unit Model No.	Expansion Device
	SEER	EER			
<b>XC15-030</b>					<b>2.5 TON</b>
<b>Up-Flow Indoor Coils</b>				<b>Up-Flow Coils</b>	
28,400	13.50	11.20	2535	<sup>3</sup> CX34-30A/B-6F	Factory TXV
29,200	13.70	11.70	2495	<sup>3</sup> CX34-42B-6F	<sup>2</sup> <b>37L51</b>
29,200	13.70	11.70	2495	<sup>3</sup> CX34-36A-6F	Factory TXV
29,400	13.70	11.70	2515	<sup>3</sup> CX34-25A/B-6F	Factory TXV
29,800	14.00	11.70	2545	<sup>3</sup> CX34-31A/B-6F	Factory TXV
30,000	14.00	12.00	2500	<sup>3</sup> CX34-44/48B-6F	<sup>2</sup> <b>37L51</b>
30,200	14.20	12.00	2515	<sup>3</sup> CX34-38A-6F	Factory TXV
30,400	14.20	12.00	2535	<sup>3</sup> CX34-43B-6F	<sup>2</sup> <b>37L51</b>
<b>Up-Flow Indoor Coils + Furnace</b>				<b>Up-Flow Coils + Furnace</b>	
28,800	14.00	11.70	2460	CX34-30B-6F	<sup>4</sup> G61MPV-36B-045 Factory TXV
28,800	14.20	12.00	2400	CX34-30A-6F	<sup>4</sup> G60UHV-36A-070 Factory TXV
28,800	14.20	12.00	2400	CX34-30B-6F	<sup>4</sup> G61MPV-36B-070 Factory TXV
28,800	14.50	12.20	2360	CX34-30B-6F	<sup>4</sup> G60UHV-36B-090 Factory TXV
29,400	15.20	12.70	2315	<sup>5</sup> CX34-36A-6F	<sup>4</sup> G60UHV-36A-070 Factory TXV
29,600	14.70	12.50	2370	CX34-36B-6F	<sup>4</sup> G61MPV-36B-070 Factory TXV
29,600	14.70	12.50	2370	CX34-42B-6F	<sup>4</sup> G61MPV-36B-070 <sup>2</sup> <b>37L51</b>
29,800	14.50	12.20	2445	CX34-36B-6F	<sup>4</sup> G61MPV-36B-045 Factory TXV
29,800	14.50	12.20	2445	CX34-42B-6F	<sup>4</sup> G61MPV-36B-045 <sup>2</sup> <b>37L51</b>
29,800	14.70	12.20	2445	CX34-25B-6F	<sup>4</sup> G61MPV-36B-045 Factory TXV
29,800	14.70	12.50	2385	CX34-25A-6F	<sup>4</sup> G60UHV-36A-070 Factory TXV
29,800	14.70	12.50	2385	CX34-25B-6F	<sup>4</sup> G61MPV-36B-070 Factory TXV
29,800	15.20	12.70	2345	CX34-36B-6F	<sup>4</sup> G60UHV-36B-090 Factory TXV
29,800	15.20	12.70	2345	CX34-42B-6F	<sup>4</sup> G60UHV-36B-090 <sup>2</sup> <b>37L51</b>
30,000	15.20	12.70	2360	CX34-25B-6F	<sup>4</sup> G60UHV-36B-090 Factory TXV
30,200	15.00	12.50	2415	CX34-31B-6F	<sup>4</sup> G61MPV-36B-070 Factory TXV
30,200	15.20	12.70	2380	CX34-31A-6F	<sup>4</sup> G60UHV-36A-070 Factory TXV
30,400	15.00	12.50	2430	CX34-31B-6F	<sup>4</sup> G61MPV-36B-045 Factory TXV
30,400	15.00	12.50	2430	CX34-44/48B-6F	<sup>4</sup> G61MPV-36B-045 <sup>2</sup> <b>37L51</b>
30,400	15.00	12.70	2395	CX34-44/48B-6F	<sup>4</sup> G61MPV-36B-070 <sup>2</sup> <b>37L51</b>
30,400	15.50	13.00	2340	CX34-31B-6F	<sup>4</sup> G60UHV-36B-090 Factory TXV
30,400	15.50	13.00	2340	CX34-44/48B-6F	<sup>4</sup> G60UHV-36B-090 <sup>2</sup> <b>37L51</b>
30,600	15.00	12.50	2450	CX34-38B-6F	<sup>4</sup> G61MPV-36B-045 Factory TXV
30,600	15.20	12.70	2410	CX34-38B-6F	<sup>4</sup> G61MPV-36B-070 Factory TXV
30,600	15.20	12.70	2410	CX34-38A-6F	<sup>4</sup> G60UHV-36A-070 Factory TXV
30,600	15.70	13.00	2355	CX34-38B-6F	<sup>4</sup> G60UHV-36B-090 Factory TXV
30,800	15.00	12.70	2425	CX34-43B-6F	<sup>4</sup> G61MPV-36B-045 <sup>2</sup> <b>37L51</b>
30,800	15.20	12.70	2425	CX34-43B-6F	<sup>4</sup> G61MPV-36B-070 <sup>2</sup> <b>37L51</b>
30,800	15.70	13.00	2370	CX34-43B-6F	<sup>4</sup> G60UHV-36B-090 <sup>2</sup> <b>37L51</b>
<b>Down-Flow Indoor Coils</b>				<b>Down-Flow Coils</b>	
29,200	14.00	11.70	2495	<sup>3</sup> CR33-48B-F	<sup>2</sup> <b>37L51</b>
29,600	14.00	11.70	2530	<sup>3</sup> CR33-30/36A/B-F	<sup>2</sup> <b>37L51</b>

<sup>1</sup> Certified in accordance with USE certification program which is based on ARI Standard 210/240; 95°F outdoor air temperature, 80°F db / 67°F wb entering evaporator air with 25 ft. of connecting refrigerant lines.

<sup>2</sup> **Factory installed RFC or expansion valve on indoor unit MUST be replaced with expansion valve kit (ordered separately).**

<sup>3</sup> Blower must be capable of time-off blower delay. Indoor Blower Off Delay Relay (**58M81**) is recommended for field installation.

<sup>4</sup> Blower control must be set for a time-off blower delay.

<sup>5</sup> Most popular match-up.

## ARI RATINGS

1 ARI Standard 210/240 Ratings						
Cooling Capacity Btuh	Efficiency		Total Unit Watts	Indoor Unit Model No.		Expansion Device
	SEER	EER				
<b>XC15-030</b>						<b>2.5 TON</b>
<b>Down-Flow Indoor Coils + Furnace</b>				<b>Down-Flow Coils + Furnace</b>		
29,600	15.00	12.50	2370	CR33-48B-F	4 G61MPV-36B-070	2 37L51
29,800	14.70	12.20	2445	CR33-48B-F	4 G61MPV-36B-045	2 37L51
29,800	15.20	12.70	2345	CR33-48B-F	4 G60DFV-36B-090	2 37L51
30,000	14.70	12.20	2460	CR33-36B-F	4 G61MPV-36B-045	2 37L51
30,000	14.70	12.50	2400	CR33-36A-F	4 G60DFV-36A-070	2 37L51
30,000	14.70	12.50	2400	CR33-36B-F	4 G61MPV-36B-070	2 37L51
30,200	15.20	12.70	2380	CR33-36B-F	4 G60DFV-36B-090	2 37L51
<b>Horizontal Indoor Coils</b>				<b>Horizontal Coils</b>		
27,400	13.00	11.00	2490	3 CH23-21		2 37L51
27,800	13.20	11.00	2525	3 CH23-31		2 37L51
29,000	13.70	11.50	2520	3 CH23-41		2 37L51
29,200	13.70	11.70	2495	3 CH33-25B-2F		2 37L51
29,200	13.70	11.70	2495	3 CH33-36A/B-2F		2 37L51
29,400	13.70	11.70	2515	3 CH33-25A-2F		2 37L51
29,600	14.00	11.70	2530	3 CH23-51		2 37L51
29,800	14.00	11.70	2545	3 CH33-42B-2F		2 37L51
30,000	14.00	11.70	2565	3 CH33-31B-2F		2 37L51
30,200	14.20	12.00	2515	3 CH33-44/48B-2F		2 37L51
30,400	14.20	12.00	2535	3 CH33-43-2F		2 37L51
30,800	14.20	12.00	2565	3 CH33-43B-2F		2 37L51
<b>Horizontal Indoor Coils + Furnace</b>				<b>Horizontal Coils + Furnace</b>		
27,800	14.00	11.70	2375	CH23-21	4 G60UHV-36A-070	2 37L51
27,800	14.00	11.70	2375	CH23-21	4 G61MPV-36B-070	2 37L51
28,000	13.70	11.50	2435	CH23-21	4 G61MPV-36B-045	2 37L51
28,000	14.20	12.00	2335	CH23-21	4 G60UHV-36B-090	2 37L51
28,200	14.20	12.00	2350	CH23-31	4 G60UHV-36A-070	2 37L51
28,400	14.00	11.70	2425	CH23-31	4 G61MPV-36B-045	2 37L51
28,400	14.20	12.00	2365	CH23-31	4 G61MPV-36B-070	2 37L51
28,400	14.70	12.20	2330	CH23-31	4 G60UHV-36B-090	2 37L51
28,800	14.20	12.00	2400	CH33-24/30A-2F	4 G60UHV-36A-070	2 37L51
29,400	14.50	12.20	2410	CH33-36A-2F	4 G60UHV-36A-070	2 37L51
29,400	14.70	12.50	2350	CH23-41	4 G60UHV-36A-070	2 37L51
29,400	14.70	12.50	2350	CH23-41	4 G61MPV-36B-070	2 37L51
29,600	14.50	12.20	2425	CH23-41	4 G61MPV-36B-045	2 37L51
29,600	14.70	12.50	2370	CH33-36B-2F	4 G61MPV-36B-070	2 37L51
29,600	15.20	12.70	2330	CH23-41	4 G60UHV-36B-090	2 37L51
29,600	15.20	12.70	2330	CH33-36B	4 G60UHV-36B-090	2 37L51
29,800	14.50	12.20	2445	CH33-36B-2F	4 G61MPV-36B-045	2 37L51
29,800	14.70	12.50	2385	CH33-25A-2F	4 G60UHV-36A-070	2 37L51
29,800	14.70	12.50	2385	CH33-25B-2F	4 G61MPV-36B-070	2 37L51
29,800	14.70	12.50	2385	CH33-25B-2F	4 G61MPV-36B-071	2 37L51
30,000	14.50	12.20	2460	CH33-25B-2F	4 G61MPV-36B-045	2 37L51
30,000	15.00	12.70	2360	CH23-51	4 G60UHV-36A-070	2 37L51
30,000	15.00	12.50	2400	CH23-51	4 G61MPV-36B-070	2 37L51
30,000	15.20	12.70	2360	CH33-25B-2F	4 G60UHV-36B-090	2 37L51

<sup>1</sup> Certified in accordance with USE certification program which is based on ARI Standard 210/240; 95°F outdoor air temperature, 80°F db / 67°F wb entering evaporator air with 25 ft. of connecting refrigerant lines.

<sup>2</sup> **Factory installed RFC or expansion valve on indoor unit MUST be replaced with expansion valve kit (ordered separately).**

<sup>3</sup> Blower must be capable of time-off blower delay. Indoor Blower Off Delay Relay (58M81) is recommended for field installation.

<sup>4</sup> Blower control must be set for a time-off blower delay.

<sup>5</sup> Most popular match-up.

## ARI RATINGS

<sup>1</sup> ARI Standard 210/240 Ratings

Cooling Capacity Btuh	Efficiency		Total Unit Watts	Indoor Unit Model No.	Expansion Device	
	SEER	EER				
<b>XC15-030</b>					<b>2.5 TON</b>	
<b>Horizontal Indoor Coils + Furnace (Continued)</b>				<b>Horizontal Coils</b>	<b>+ Furnace</b>	
30,200	15.00	12.50	2415	CH23-51	<sup>4</sup> G61MPV-36B-045	<sup>2</sup> <b>37L51</b>
30,200	15.50	13.00	2325	CH23-51	<sup>4</sup> G60UHV-36B-090	<sup>2</sup> <b>37L51</b>
30,400	15.00	12.50	2430	CH33-31A-2F	<sup>4</sup> G60UHV-36A-070	<sup>2</sup> <b>37L51</b>
30,400	15.00	12.50	2430	CH33-31B-2F	<sup>4</sup> G61MPV-36B-071	<sup>2</sup> <b>37L51</b>
30,400	15.00	12.50	2430	CH33-31B-2F	<sup>4</sup> G61MPV-36B-070	<sup>2</sup> <b>37L51</b>
30,600	15.00	12.50	2450	CH33-31B.-2F	<sup>4</sup> G61MPV-36B-045	<sup>2</sup> <b>37L51</b>
30,600	15.50	13.00	2355	CH33-31B-2F	<sup>4</sup> G60UHV-36B-090	<sup>2</sup> <b>37L51</b>
30,800	15.50	13.00	2370	CH33-43C-2F	<sup>4</sup> G61MPV-36C-090	<sup>2</sup> <b>37L51</b>
31,000	15.20	12.70	2440	CH33-43B-2F	<sup>4</sup> G61MPV-36B-070	<sup>2</sup> <b>37L51</b>
31,000	15.20	12.70	2440	CH33-43B-2F	<sup>4</sup> G61MPV-36B-071	<sup>2</sup> <b>37L51</b>
31,200	15.50	13.00	2400	CH33-43B-2F	<sup>4</sup> G60UHV-36B-090	<sup>2</sup> <b>37L51</b>
<b>Air Handlers</b>				<b>Air Handlers</b>		
29,800	14.50	12.20	2445	<sup>3</sup> CB30U-41/46 (Up-Flow)		<sup>2</sup> <b>37L51</b>
29,800	14.70	12.20	2445	<sup>3</sup> CB30U-31 (Up-Flow)		<sup>2</sup> <b>37L51</b>
29,800	14.70	12.20	2445	<sup>3</sup> CBX32M-030 (Multi-Position)		Factory TXV
30,000	14.50	12.20	2460	<sup>3</sup> CB30U-51 (Up-Flow)		<sup>2</sup> <b>37L51</b>
30,000	14.50	12.20	2460	<sup>3</sup> CBX32M-036 (Multi-Position)		Factory TXV
30,000	14.50	12.20	2460	<sup>3</sup> CBX32M-042 (Multi-Position)		<sup>2</sup> <b>37L51</b>
30,000	15.20	12.70	2360	<sup>4</sup> CBX32MV-024/030 (Multi-Position)		Factory TXV
30,400	14.70	12.20	2490	<sup>3</sup> CBX32M-048 (Multi-Position)		<sup>2</sup> <b>37L51</b>
30,400	15.70	13.00	2340	<sup>4</sup> CBX27UH-030 (Up-Flow / Horizontal)		Factory TXV
30,400	15.70	13.00	2340	<sup>4</sup> CBX32MV-036 (Multi-Position)		Factory TXV
30,400	15.70	13.20	2305	<sup>4</sup> CBX27UH-036 (Up-Flow / Horizontal)		<sup>2</sup> <b>37L51</b>

<sup>1</sup> Certified in accordance with USE certification program which is based on ARI Standard 210/240; 95°F outdoor air temperature, 80°F db / 67°F wb entering evaporator air with 25 ft. of connecting refrigerant lines.

<sup>2</sup> **Factory installed RFC or expansion valve on indoor unit MUST be replaced with expansion valve kit (ordered separately).**

<sup>3</sup> Blower must be capable of time-off blower delay. Indoor Blower Off Delay Relay (**58M81**) is recommended for field installation.

<sup>4</sup> Blower control must be set for a time-off blower delay.

<sup>5</sup> Most popular match-up.

## ARI RATINGS

1 ARI Standard 210/240 Ratings					Indoor Unit Model No.	Expansion Device
Cooling Capacity Btuh	Efficiency		Total Unit Watts			
	SEER	EER				
<b>XC15-036</b>					<b>3 TON</b>	
<b>Up-Flow Indoor Coils</b>				<b>Up-Flow Coils</b>		
33,600	13.70	11.20	3000	3 CX34-36A/B-6F		Factory TXV
33,600	13.70	11.20	3000	3 CX34-42B-6F		2 37L51
34,800	14.00	11.70	2975	3 C33-44C		2 37L51
34,800	14.00	11.70	2975	3 CX34-44/48B/C-6F		2 37L51
35,200	14.20	11.70	3010	3 CX34-38A/B-6F		Factory TXV
35,200	14.20	11.70	3010	3 CX34-50/60C-6F		2 37L51
35,400	14.20	11.70	3025	3 CX34-43B/C-6F		2 37L51
<b>Up-Flow Indoor Coils + Furnace</b>				<b>Up-Flow Coils + Furnace</b>		
33,800	14.20	11.70	2890	CX34-36B-6F	4 G61MPV-36B-070	Factory TXV
33,800	14.20	11.70	2890	CX34-42B-6F	4 G61MPV-36B-070	2 37L51
34,000	14.00	11.50	2955	CX34-36B-6F	4 G61MPV-36B-045	Factory TXV
34,000	14.00	11.50	2955	CX34-42B-6F	4 G61MPV-36B-045	2 37L51
34,000	14.00	11.70	2905	CX34-36A-6F	4 G60UHV-36A-070	Factory TXV
34,000	14.50	12.00	2835	CX34-36C-6F	4 G61MPV-36C-090	Factory TXV
34,200	14.50	12.00	2850	CX34-36B-6F	4 G60UHV-36B-090	Factory TXV
34,200	14.50	12.00	2850	CX34-42B-6F	4 G60UHV-36B-090	2 37L51
34,400	14.50	12.00	2865	CX34-36C-6F	4 G61MPV-60C-090	Factory TXV
35,000	14.50	12.00	2915	CX34-44/48B-6F	4 G61MPV-36B-070	2 37L51
35,200	14.20	12.00	2935	CX34-44/48B-6F	4 G61MPV-36B-045	2 37L51
35,200	15.20	12.70	2770	5 CX34-38B-6F	4 G60UHV-36B-090	Factory TXV
35,400	14.50	12.00	2950	CX34-38A-6F	4 G60UHV-36A-070	Factory TXV
35,400	14.50	12.00	2950	CX34-38B-6F	4 G61MPV-36B-045	Factory TXV
35,400	14.70	12.20	2900	CX34-38B-6F	4 G61MPV-36B-070	Factory TXV
35,400	15.00	12.50	2830	CX34-44/48B-6F	4 G60UHV-36B-090	2 37L51
35,400	15.00	12.50	2830	CX34-44/48C-6F	4 G61MPV-60C-090	2 37L51
35,600	14.50	12.00	2965	CX34-43B-6F	4 G61MPV-36B-045	2 37L51
35,600	14.70	12.20	2920	CX34-43B-6F	4 G61MPV-36B-070	2 37L51
35,800	15.20	12.70	2820	CX34-43C-6F	4 G61MPV-36C-090	2 37L51
36,000	15.20	12.70	2835	CX34-43B-6F	4 G60UHV-36B-090	2 37L51
36,000	15.20	12.50	2880	CX34-50/60C-6F	4 G61MPV-60C-090	2 37L51
36,200	15.20	12.70	2850	CX34-43C-6F	4 G61MPV-60C-090	2 37L51
36,600	15.50	12.70	2880	CX34-49C-6F	4 G61MPV-60C-090	2 37L51
37,000	15.70	13.00	2845	CX34-62C-6F	4 G61MPV-60C-090	2 37L51
<b>Down-Flow Indoor Coils</b>				<b>Down-Flow Coils</b>		
33,600	13.50	11.20	3000	3 CR33-48B/C-F		2 37L51
34,200	13.70	11.50	2975	3 CR33-30/36B/C-F		2 37L51
<b>Down-Flow Indoor Coils + Furnace</b>				<b>Down-Flow Coils + Furnace</b>		
33,800	14.00	11.50	2940	CR33-48B-F	4 G61MPV-36B-045	2 37L51
33,800	14.20	11.70	2890	CR33-48B-F	4 G61MPV-36B-070	2 37L51
34,000	14.70	12.20	2785	CR33-48B-F	4 G60DFV-36B-090	2 37L51
34,400	14.00	11.50	2990	CR33-30/36B-F	4 G61MPV-36B-045	2 37L51
34,400	14.20	11.70	2940	CR33-30/36B-F	4 G61MPV-36B-070	2 37L51
34,600	14.70	12.20	2835	CR33-30/36B-F	4 G60DFV-36B-090	2 37L51

<sup>1</sup> Certified in accordance with USE certification program which is based on ARI Standard 210/240; 95°F outdoor air temperature, 80°F db / 67°F wb entering evaporator air with 25 ft. of connecting refrigerant lines.

<sup>2</sup> **Factory installed RFC or expansion valve on indoor unit MUST be replaced with expansion valve kit (ordered separately).**

<sup>3</sup> Blower must be capable of time-off blower delay. Indoor Blower Off Delay Relay (58M81) is recommended for field installation.

<sup>4</sup> Blower control must be set for a time-off blower delay.

<sup>5</sup> Most popular indoor coil.



## ARI RATINGS

<sup>1</sup> ARI Standard 210/240 Ratings

Cooling Capacity Btuh	Efficiency		Total Unit Watts	Indoor Unit Model No.	Expansion Device
	SEER	EER			
<b>XC15-036</b>					<b>3 TON</b>
<b>Horizontal Indoor Coils</b>				<b>Horizontal Coils</b>	
33,400	13.50	11.20	2980	<sup>3</sup> CH23-41	<sup>2</sup> 37L51
33,600	13.50	11.20	3000	<sup>3</sup> CH33-36B-2F	<sup>2</sup> 37L51
34,200	13.70	11.50	2975	<sup>3</sup> CH23-51	<sup>2</sup> 37L51
34,200	13.70	11.50	2975	<sup>3</sup> CH33-36C-2F	<sup>2</sup> 37L51
34,600	14.00	11.50	3010	<sup>3</sup> CH33-42B-2F	<sup>2</sup> 37L51
35,200	14.20	11.70	3010	<sup>3</sup> CH33-44/48B-2F	<sup>2</sup> 37L51
35,200	14.20	11.70	3010	<sup>3</sup> CH33-48C-2F	<sup>2</sup> 37L51
35,600	14.20	11.70	3045	<sup>3</sup> CH33-43C-2F	<sup>2</sup> 37L51
35,800	14.20	12.00	2985	<sup>3</sup> CH33-50/60C-2F	<sup>2</sup> 37L51
36,000	14.20	11.70	3075	<sup>3</sup> CH33-43B-2F	<sup>2</sup> 37L51
<b>Horizontal Indoor Coils + Furnace</b>				<b>Horizontal Coils + Furnace</b>	
33,600	13.70	11.50	2920	CH23-41	<sup>4</sup> G61MPV-36B-045
33,600	14.00	11.70	2870	CH23-41	<sup>4</sup> G61MPV-36B-070
33,800	14.00	11.50	2940	CH33-36B-2F	<sup>4</sup> G61MPV-36B-045
33,800	14.20	11.70	2890	CH33-36B-2F	<sup>4</sup> G61MPV-36B-070
33,800	14.50	12.00	2815	CH23-41	<sup>4</sup> G60UHV-36B-090
34,000	14.50	12.00	2835	CH33-36B-2F	<sup>4</sup> G60UHV-36B-090
34,400	14.20	11.70	2940	CH23-51	<sup>4</sup> G61MPV-36B-045
34,400	14.20	12.00	2865	CH23-51	<sup>4</sup> G61MPV-36B-070
34,600	14.70	12.20	2835	CH23-51	<sup>4</sup> G60UHV-36B-090
34,800	14.20	11.70	2975	CH33-42B-2F	<sup>4</sup> G61MPV-36B-045
34,800	14.50	12.00	2900	CH33-42B-2F	<sup>4</sup> G61MPV-36B-070
35,200	14.70	12.20	2885	CH33-42B-2F	<sup>4</sup> G60UHV-36B-090
35,400	14.50	12.20	2900	CH33-44/48B-2F	<sup>4</sup> G61MPV-36B-070
35,600	14.50	12.00	2965	CH33-44/48B-2F	<sup>4</sup> G61MPV-36B-045
35,600	15.00	12.50	2850	CH33-44/48B-2F	<sup>4</sup> G60UHV-36B-090
35,800	15.20	12.50	2865	CH33-43C-2F	<sup>4</sup> G61MPV-36C-090
36,200	14.50	12.00	3015	CH33-43B-2F	<sup>4</sup> G61MPV-36B-045
36,200	14.70	12.20	2965	CH33-43B-2F	<sup>4</sup> G61MPV-36B-070
36,200	14.70	12.20	2965	CH33-43B-2F	<sup>4</sup> G61MPV-36B-071
36,600	15.20	12.70	2880	CH33-43B-2F	<sup>4</sup> G60UHV-36B-090
<b>Air Handlers</b>				<b>Air Handlers</b>	
34,000	14.50	12.00	2835	<sup>3</sup> CB30U-31 (Up-Flow)	<sup>2</sup> 37L51
34,200	14.20	11.70	2925	<sup>3</sup> CBX32M-030 (Multi-Position)	Factory TXV
34,600	14.20	12.00	2885	<sup>3</sup> CBX32M-036 (Multi-Position)	Factory TXV
34,600	14.50	12.00	2885	<sup>3</sup> CB30U-41/46 (Up-Flow)	<sup>2</sup> 37L51
34,600	15.00	12.20	2835	<sup>4</sup> CBX32MV-024/030 (Multi-Position)	Factory TXV
34,800	14.70	12.20	2850	<sup>3</sup> CBX32M-042 (Multi-Position)	<sup>2</sup> 37L51
35,000	15.00	12.50	2800	<sup>4</sup> CBX32MV-036 (Multi-Position)	Factory TXV
35,000	15.20	12.70	2755	<sup>4</sup> CBX27UH-036 (Up-Flow / Horizontal)	Factory TXV
35,200	14.70	12.20	2885	<sup>3</sup> CB30U-51 (Up-Flow)	<sup>2</sup> 37L51
35,600	14.70	12.20	2920	<sup>3</sup> CBX32M-048 (Multi-Position)	<sup>2</sup> 37L51
36,000	16.00	13.00	2770	<sup>4</sup> CBX32MV-048 (Multi-Position)	<sup>2</sup> 37L51
36,000	16.00	13.00	2770	<sup>4</sup> CBX27UH-042 (Up-Flow / Horizontal)	Factory TXV

<sup>1</sup> Certified in accordance with USE certification program which is based on ARI Standard 210/240; 95°F outdoor air temperature, 80°F db / 67°F wb entering evaporator air with 25 ft. of connecting refrigerant lines.

<sup>2</sup> **Factory installed RFC or expansion valve on indoor unit MUST be replaced with expansion valve kit (ordered separately).**

<sup>3</sup> Blower must be capable of time-off blower delay. Indoor Blower Off Delay Relay (58M81) is recommended for field installation.

<sup>4</sup> Blower control must be set for a time-off blower delay.

## ARI RATINGS

<sup>1</sup> ARI Standard 210/240 Ratings					Indoor Unit Model No.	Expansion Device
Cooling Capacity Btuh	Efficiency		Total Unit Watts			
	SEER	EER				
<b>XC15-042</b>					<b>3.5 TON</b>	
<b>Up-Flow Indoor Coils</b>				<b>Up-Flow Coils</b>		
38,500	13.00	10.60	3630	<sup>3</sup> CX34-42B-6F	<sup>2</sup> <b>39L72</b>	
40,000	13.20	10.90	3670	<sup>3</sup> CX34-44/48B/C-6F	Factory TXV	
40,500	13.20	11.00	3680	<sup>3</sup> CX34-38A/B-6F	<sup>2</sup> <b>39L72</b>	
40,500	13.20	11.00	3680	<sup>3</sup> CX34-50/60C-6F	<sup>2</sup> <b>39L72</b>	
40,500	13.50	11.00	3680	<sup>3</sup> CX34-43B-6F	Factory TXV	
<b>Up-Flow Indoor Coils + Furnace</b>				<b>Up-Flow Coils + Furnace</b>		
38,500	13.20	10.90	3530	CX34-42B-6F	<sup>4</sup> G60UHV-36B-090	<sup>2</sup> <b>39L72</b>
40,000	13.00	10.80	3705	CX34-44/48B-6F	<sup>4</sup> G61MPV-36B-045	Factory TXV
40,000	13.00	10.80	3705	CX34-44/48B-6F	<sup>4</sup> G61MPV-36B-070	Factory TXV
40,000	13.50	11.00	3635	CX34-44/48C-6F	<sup>4</sup> G61MPV-36C-090	Factory TXV
40,000	13.50	11.20	3635	CX34-44/48C-6F	<sup>4</sup> G61MPV-60C-090	Factory TXV
40,000	13.70	11.20	3570	CX34-44/48B-6F	<sup>4</sup> G60UHV-36B-090	Factory TXV
40,000	14.20	11.50	3480	<sup>5</sup> CX34-44/48C-6F	<sup>4</sup> G60UHV-60C-110	Factory TXV
40,500	13.00	10.90	3715	CX34-38B-6F	<sup>4</sup> G61MPV-36B-045	<sup>2</sup> <b>39L72</b>
40,500	13.20	10.90	3715	CX34-43B-6F	<sup>4</sup> G61MPV-36B-045	Factory TXV
40,500	13.20	11.00	3680	CX34-38B-6F	<sup>4</sup> G61MPV-36B-070	<sup>2</sup> <b>39L72</b>
40,500	13.20	11.00	3680	CX34-43B-6F	<sup>4</sup> G61MPV-36B-070	Factory TXV
40,500	13.70	11.20	3615	CX34-38B-6F	<sup>4</sup> G60UHV-36B-090	<sup>2</sup> <b>39L72</b>
40,500	13.70	11.20	3615	CX34-44/48C-6F	<sup>4</sup> G61MPV-60C-110	Factory TXV
40,500	13.70	11.20	3615	CX34-50/60C-6F	<sup>4</sup> G61MPV-36C-090	<sup>2</sup> <b>39L72</b>
40,500	14.00	11.20	3615	CX34-50/60C-6F	<sup>4</sup> G61MPV-60C-090	<sup>2</sup> <b>39L72</b>
40,500	14.20	11.50	3520	CX34-44/48C-6F	<sup>4</sup> G60UHV-60C-090	Factory TXV
41,000	14.00	11.50	3565	CX34-43B-6F	<sup>4</sup> G60UHV-36B-090	Factory TXV
41,000	14.00	11.50	3565	CX34-43C-6F	<sup>4</sup> G61MPV-36C-090	Factory TXV
41,000	14.00	11.50	3565	CX34-50/60C-6F	<sup>4</sup> G60UHV-60C-110	<sup>2</sup> <b>39L72</b>
41,000	14.00	11.50	3565	CX34-50/60C-6F	<sup>4</sup> G61MPV-60C-110	<sup>2</sup> <b>39L72</b>
41,000	14.20	11.50	3565	CX34-43C-6F	<sup>4</sup> G60UHV-60C-110	Factory TXV
41,000	14.20	11.50	3565	CX34-43C-6F	<sup>4</sup> G61MPV-60C-090	Factory TXV
41,000	14.20	11.50	3565	CX34-43C-6F	<sup>4</sup> G61MPV-60C-110	Factory TXV
41,000	14.20	11.70	3505	CX34-43C-6F	<sup>4</sup> G60UHV-60C-090	Factory TXV
41,000	14.20	11.70	3505	CX34-50/60C-6F	<sup>4</sup> G60UHV-60C-090	<sup>2</sup> <b>39L72</b>
42,000	14.70	12.00	3495	CX34-62C-6F	<sup>4</sup> G60UHV-60C-090	<sup>2</sup> <b>39L72</b>
42,500	14.50	12.00	3545	CX34-62C-6F	<sup>4</sup> G60UHV-60C-110	<sup>2</sup> <b>39L72</b>
<b>Down-Flow Indoor Coils</b>				<b>Down-Flow Coils</b>		
38,000	13.00	10.50	3620	<sup>3</sup> CR33-48B/C-F	<sup>2</sup> <b>39L72</b>	
39,500	13.20	10.80	3655	<sup>3</sup> CR33-50/60C-F	<sup>2</sup> <b>39L72</b>	

<sup>1</sup> Certified in accordance with USE certification program which is based on ARI Standard 210/240; 95°F outdoor air temperature, 80°F db / 67°F wb entering evaporator air with 25 ft. of connecting refrigerant lines.

<sup>2</sup> **Factory installed RFC or expansion valve on indoor unit MUST be replaced with expansion valve kit (ordered separately).**

<sup>3</sup> Blower must be capable of time-off blower delay. Indoor Blower Off Delay Relay (58M81) is recommended for field installation.

<sup>4</sup> Blower control must be set for a time-off blower delay.

<sup>5</sup> Most popular indoor coil.

## ARI RATINGS

<sup>1</sup> ARI Standard 210/240 Ratings

Cooling Capacity Btuh	Efficiency		Total Unit Watts	Indoor Unit Model No.		Expansion Device
	SEER	EER				
<b>XC15-042</b>						<b>3.5 TON</b>
<b>Down-Flow Indoor Coils + Furnace</b>				<b>Down-Flow Coils + Furnace</b>		
38,000	13.20	10.70	3550	CR33-48C-F	<sup>4</sup> G61MPV-36C-090	<sup>2</sup> 39L72
38,000	13.50	10.80	3520	CR33-48C-F	<sup>4</sup> G61MPV-60C-090	<sup>2</sup> 39L72
38,500	13.50	11.00	3500	CR33-48B-F	<sup>4</sup> G60DFV-36B-090	<sup>2</sup> 39L72
38,500	13.50	11.00	3500	CR33-48C-F	<sup>4</sup> G61MPV-60C-110	<sup>2</sup> 39L72
38,500	13.70	11.00	3500	CR33-48C-F	<sup>4</sup> G60DFV-60C-090	<sup>2</sup> 39L72
38,500	13.70	11.20	3440	CR33-48C-F	<sup>4</sup> G60DFV-60C-110	<sup>2</sup> 39L72
39,500	13.70	11.00	3590	CR33-50/60C-F	<sup>4</sup> G61MPV-36C-090	<sup>2</sup> 39L72
40,000	14.00	11.20	3570	CR33-50/60C-F	<sup>4</sup> G61MPV-60C-090	<sup>2</sup> 39L72
40,000	14.00	11.20	3570	CR33-50/60C-F	<sup>4</sup> G61MPV-60C-110	<sup>2</sup> 39L72
40,000	14.20	11.50	3480	CR33-50/60C-F	<sup>4</sup> G60DFV-60C-090	<sup>2</sup> 39L72
40,000	14.20	11.50	3480	CR33-50/60C-F	<sup>4</sup> G60DFV-60C-110	<sup>2</sup> 39L72
40,000	14.20	11.50	3480	CR33-60D-F	<sup>4</sup> G60DFV-60D-135	<sup>2</sup> 39L72
40,000	14.20	11.50	3480	CR33-60D-F	<sup>4</sup> G61MPV-60D-135	<sup>2</sup> 39L72
<b>Horizontal Indoor Coils</b>				<b>Horizontal Coils</b>		
39,000	13.00	10.80	3610	<sup>3</sup> CH23-51		<sup>2</sup> 39L72
39,500	13.20	10.80	3655	<sup>3</sup> CH23-65		<sup>2</sup> 39L72
40,000	13.20	10.90	3670	<sup>3</sup> CH33-42B-2F		<sup>2</sup> 39L72
40,500	13.20	11.00	3680	<sup>3</sup> CH33-44/48B-2F		<sup>2</sup> 39L72
40,500	13.50	11.00	3680	<sup>3</sup> CH23-68		<sup>2</sup> 39L72
40,500	13.50	11.00	3680	<sup>3</sup> CH33-48C-2F		<sup>2</sup> 39L72
41,000	13.50	11.00	3725	<sup>3</sup> CH33-43C-2F		<sup>2</sup> 39L72
41,000	13.50	11.00	3725	<sup>3</sup> CH33-50/60C-2F		<sup>2</sup> 39L72
41,000	13.50	11.00	3725	<sup>3</sup> CH33-60D-2F		<sup>2</sup> 39L72
41,000	13.50	11.00	3725	<sup>3</sup> CH33-62D-2F		<sup>2</sup> 39L72
41,500	13.50	11.00	3775	<sup>3</sup> CH33-43B-2F		<sup>2</sup> 39L72
41,500	13.50	11.20	3705	<sup>3</sup> CH33-49C-2F		<sup>2</sup> 39L72
<b>Horizontal Indoor Coils + Furnace</b>				<b>Horizontal Coils + Furnace</b>		
39,000	13.00	10.70	3645	CH23-51	<sup>4</sup> G61MPV-36B-070	<sup>2</sup> 39L72
39,000	13.50	11.00	3545	CH23-51	<sup>4</sup> G61MPV-36C-090	<sup>2</sup> 39L72
39,000	13.70	11.00	3545	CH23-51	<sup>4</sup> G60UHV-36B-090	<sup>2</sup> 39L72
39,000	13.70	11.00	3545	CH23-51	<sup>4</sup> G61MPV-60C-110	<sup>2</sup> 39L72
39,500	13.00	10.60	3725	CH33-42B-2F	<sup>4</sup> G61MPV-36B-045	<sup>2</sup> 39L72
39,500	13.00	10.70	3690	CH23-65	<sup>4</sup> G61MPV-36B-045	<sup>2</sup> 39L72
39,500	13.00	10.70	3690	CH33-42B-2F	<sup>4</sup> G61MPV-36B-070	<sup>2</sup> 39L72
39,500	13.20	10.80	3655	CH23-65	<sup>4</sup> G61MPV-36B-070	<sup>2</sup> 39L72
39,500	13.50	11.00	3590	CH23-51	<sup>4</sup> G61MPV-60C-090	<sup>2</sup> 39L72
39,500	13.50	11.00	3590	CH23-65	<sup>4</sup> G61MPV-36C-090	<sup>2</sup> 39L72
39,500	13.70	11.20	3525	CH23-51	<sup>4</sup> G60UHV-60C-090	<sup>2</sup> 39L72
39,500	13.70	11.20	3525	CH23-51	<sup>4</sup> G60UHV-60C-110	<sup>2</sup> 39L72
39,500	13.70	11.20	3525	CH23-65	<sup>4</sup> G60UHV-36B-090	<sup>2</sup> 39L72
40,000	13.70	11.20	3570	CH23-65	<sup>4</sup> G61MPV-60C-090	<sup>2</sup> 39L72
40,000	13.70	11.20	3570	CH23-65	<sup>4</sup> G61MPV-60C-110	<sup>2</sup> 39L72
40,000	13.70	11.20	3570	CH33-42B-2F	<sup>4</sup> G60UHV-36B-090	<sup>2</sup> 39L72
40,000	14.00	11.20	3570	CH23-65	<sup>4</sup> G60UHV-60C-090	<sup>2</sup> 39L72
40,000	14.00	11.20	3570	CH23-65	<sup>4</sup> G60UHV-60C-110	<sup>2</sup> 39L72
40,500	13.00	10.90	3715	CH33-44/48B-2F	<sup>4</sup> G61MPV-36B-045	<sup>2</sup> 39L72
40,500	13.20	10.90	3715	CH23-68	<sup>4</sup> G61MPV-36B-045	<sup>2</sup> 39L72
40,500	13.20	11.00	3680	CH33-44/48B-2F	<sup>4</sup> G61MPV-36B-070	<sup>2</sup> 39L72

<sup>1</sup> Certified in accordance with USE certification program which is based on ARI Standard 210/240; 95°F outdoor air temperature, 80°F db / 67°F wb entering evaporator air with 25 ft. of connecting refrigerant lines.

<sup>2</sup> Factory installed RFC or expansion valve on indoor unit MUST be replaced with expansion valve kit (ordered separately).

<sup>3</sup> Blower must be capable of time-off blower delay. Indoor Blower Off Delay Relay (58M81) is recommended for field installation.

<sup>4</sup> Blower control must be set for a time-off blower delay.

## ARI RATINGS

1 ARI Standard 210/240 Ratings				Indoor Unit Model No.	Expansion Device	
Cooling Capacity Btuh	Efficiency		Total Unit Watts			
	SEER	EER				
<b>XC15-042</b>				<b>3.5 TON</b>		
<b>Horizontal Indoor Coils + Furnace (Continued)</b>				<b>Horizontal Coils + Furnace</b>		
40,500	13.50	11.00	3680	CH23-68	4 G61MPV-36B-070	2 39L72
40,500	13.70	11.20	3615	CH33-44/48B-2F	4 G60UHV-36B-090	2 39L72
40,500	13.70	11.20	3615	CH33-48C-2F	4 G61MPV-36C-090	2 39L72
41,000	14.00	11.20	3660	CH23-68	4 G61MPV-36C-090	2 39L72
41,000	14.00	11.20	3660	CH23-68	4 G61MPV-60C-090	2 39L72
41,000	14.00	11.50	3565	CH23-68	4 G60UHV-36B-090	2 39L72
41,000	14.00	11.50	3565	CH33-48C-2F	4 G60UHV-60C-090	2 39L72
41,000	14.00	11.50	3565	CH33-48C-2F	4 G60UHV-60C-110	2 39L72
41,000	14.00	11.50	3565	CH33-48C-2F	4 G61MPV-60C-110	2 39L72
41,000	14.20	11.50	3565	CH23-68	4 G60UHV-60C-110	2 39L72
41,000	14.20	11.50	3565	CH23-68	4 G61MPV-60C-110	2 39L72
41,500	13.20	10.90	3805	CH33-43B-2F	4 G61MPV-36B-045	2 39L72
41,500	13.20	11.00	3775	CH33-43B-2F	4 G61MPV-36B-070	2 39L72
41,500	13.20	11.00	3775	CH33-43B-2F	4 G61MPV-36B-071	2 39L72
41,500	14.00	11.50	3610	CH33-50/60C-2F	4 G61MPV-60C-090	2 39L72
41,500	14.00	11.50	3610	CH33-43C-2F	4 G61MPV-36C-090	2 39L72
41,500	14.00	11.50	3610	CH33-49C-2F	4 G61MPV-36C-090	2 39L72
41,500	14.20	11.50	3610	CH33-43C-2F	4 G61MPV-60C-090	2 39L72
41,500	14.20	11.50	3610	CH33-49C-2F	4 G61MPV-60C-090	2 39L72
41,500	14.20	11.50	3610	CH33-49C-2F	4 G61MPV-60C-111	2 39L72
41,500	14.20	11.50	3610	CH23-68	4 G60UHV-60C-090	2 39L72
41,500	14.20	11.70	3545	CH33-43C-2F	4 G60UHV-60C-090	2 39L72
41,500	14.20	11.50	3610	CH23-68	4 G60UHV-60C-090	2 39L72
41,500	14.20	11.50	3610	CH33-50/60C-2F	4 G61MPV-60C-110	2 39L72
41,500	14.20	11.70	3545	CH33-50/60C-2F	4 G60UHV-60C-110	2 39L72
41,500	14.50	11.70	3545	CH33-49C-2F	4 G60UHV-60C-090	2 39L72
41,500	14.50	11.70	3545	CH33-49C-2F	4 G60UHV-60C-090	2 39L72
42,000	14.00	11.50	3650	CH33-43B-2F	4 G60UHV-36B-090	2 39L72
42,000	14.00	11.50	3650	CH33-43C-2F	4 G61MPV-60C-091	2 39L72
42,000	14.20	11.50	3650	CH33-43C-2F	4 G60UHV-60C-110	2 39L72
42,000	14.00	11.50	3650	CH33-49C-2F	4 G61MPV-60C-091	2 39L72
42,000	14.20	11.70	3590	CH33-50/60C-2F	4 G60UHV-60C-090	2 39L72
42,000	14.20	11.50	3650	CH33-43C-2F	4 G61MPV-60C-110	2 39L72
42,000	14.20	11.70	3590	CH33-49C-2F	4 G61MPV-60C-110	2 39L72
42,000	14.50	11.70	3590	CH33-49C-2F	4 G60UHV-60C-110	2 39L72
<b>Air Handlers</b>				<b>Air Handlers</b>		
39,500	13.50	11.00	3590	3 CB30U-41/46 (Up-Flow)		2 39L72
39,500	13.50	11.00	3590	3 CBX32M-036 (Multi-Position)		2 39L72
39,500	13.50	11.00	3590	3 CBX32M-042 (Multi-Position)		2 39L72
39,500	13.70	11.00	3590	4 CBX32MV-036 (Multi-Position)		2 39L72
40,500	13.70	11.20	3615	3 CB30U-51 (Up-Flow)		2 39L72
40,500	14.00	11.20	3615	3 CBX32M-048 (Multi-Position)		2 39L72
41,000	14.70	12.00	3505	4 CBX32MV-048 (Multi-Position)		2 39L72
41,000	14.70	11.70	3505	4 CBX27UH-042 (Up-Flow / Horizontal)		Factory TXV
41,000	14.70	11.70	3505	4 CBX27UH-048 (Up-Flow / Horizontal)		2 39L72

<sup>1</sup> Certified in accordance with USE certification program which is based on ARI Standard 210/240; 95°F outdoor air temperature, 80°F db / 67°F wb entering evaporator air with 25 ft. of connecting refrigerant lines.

<sup>2</sup> Factory installed RFC or expansion valve on indoor unit MUST be replaced with expansion valve kit (ordered separately).

<sup>3</sup> Blower must be capable of time-off blower delay. Indoor Blower Off Delay Relay (58M81) is recommended for field installation.

<sup>4</sup> Blower control must be set for a time-off blower delay.

## ARI RATINGS

<sup>1</sup> ARI Standard 210/240 Ratings

Cooling Capacity Btuh	Efficiency		Total Unit Watts	Indoor Unit Model No.	Expansion Device
	SEER	EER			
<b>XC15-048</b>					<b>4 TON</b>
<b>Up-Flow Indoor Coils</b>				<b>Up-Flow Coils</b>	
46,500	14.00	11.50	4045	<sup>3</sup> CX34-44/48C-6F	Factory TXV
47,000	14.20	11.70	4015	<sup>3</sup> CX34-50/60C-6F	Factory TXV
48,000	14.50	11.70	4105	<sup>3</sup> CX34-60D-6F	Factory TXV
48,500	14.50	12.00	4040	<sup>3</sup> CX34-49C-6F	Factory TXV
48,500	14.50	12.00	4040	<sup>3</sup> CX34-62D-6F	Factory TXV
<b>Up-Flow Indoor Coils + Furnace</b>				<b>Up-Flow Coils + Furnace</b>	
47,000	14.20	11.70	4015	CX34-44/48C-6F	<sup>4</sup> G61MPV-60C-090 Factory TXV
47,000	14.20	11.70	4015	CX34-44/48C-6F	<sup>4</sup> G61MPV-60C-110 Factory TXV
47,000	14.50	12.00	3915	CX34-44/48C-6F	<sup>4</sup> G60UHV-60C-090 Factory TXV
47,500	14.20	11.70	4060	CX34-50/60C-6F	<sup>4</sup> G61MPV-60C-110 Factory TXV
47,500	14.50	12.00	3960	CX34-50/60C-6F	<sup>4</sup> G60UHV-60C-110 Factory TXV
47,500	14.50	12.00	3960	CX34-50/60C-6F	<sup>4</sup> G61MPV-60C-090 Factory TXV
47,500	14.70	12.00	3960	CX34-50/60C-6F	<sup>4</sup> G60UHV-60C-090 Factory TXV
47,500	15.00	12.20	3895	<sup>5</sup> CX34-50/60C-6F	<sup>4</sup> G60UHV-60C-110 Factory TXV
48,500	14.70	12.20	3975	CX34-49C-6F	<sup>4</sup> G61MPV-60C-090 Factory TXV
48,500	14.70	12.20	3975	CX34-49C-6F	<sup>4</sup> G61MPV-60C-110 Factory TXV
48,500	15.00	12.20	3975	CX34-49C-6F	<sup>4</sup> G60UHV-60C-110 Factory TXV
48,500	15.00	12.50	3880	CX34-60D-6F	<sup>4</sup> G61MPV-60D-135 Factory TXV
48,500	15.20	12.50	3880	CX34-60D-6F	<sup>4</sup> G60UHV-60D-135 Factory TXV
49,000	15.00	12.50	3920	CX34-49C-6F	<sup>4</sup> G60UHV-60C-090 Factory TXV
49,000	15.20	12.70	3860	CX34-62D-6F	<sup>4</sup> G60UHV-60D-135 Factory TXV
49,000	15.20	12.50	3920	CX34-62D-6F	<sup>4</sup> G61MPV-60D-135 Factory TXV
<b>Down-Flow Indoor Coils</b>				<b>Down-Flow Coils</b>	
45,500	13.50	11.20	4065	<sup>3</sup> CR33-48C-F	<sup>2</sup> 91M02
47,000	14.20	11.50	4085	<sup>3</sup> CR33-60D-F	<sup>2</sup> 91M02
47,000	14.20	11.70	4015	<sup>3</sup> CR33-50/60C-F	<sup>2</sup> 91M02
<b>Down-Flow Indoor Coils + Furnace</b>				<b>Down-Flow Coils + Furnace</b>	
45,500	13.70	11.20	4065	CR33-48C-F	<sup>4</sup> G61MPV-60C-090 <sup>2</sup> 91M02
45,500	13.70	11.20	4065	CR33-48C-F	<sup>4</sup> G61MPV-60C-110 <sup>2</sup> 91M02
45,500	14.00	11.50	3955	CR33-48C-F	<sup>4</sup> G60DFV-60C-090 <sup>2</sup> 91M02
46,000	14.00	11.50	4000	CR33-48C-F	<sup>4</sup> G60DFV-60C-110 <sup>2</sup> 91M02
47,500	14.50	12.00	3960	CR33-50/60C-F	<sup>4</sup> G61MPV-60C-090 <sup>2</sup> 91M02
47,500	14.50	12.00	3960	CR33-50/60C-F	<sup>4</sup> G61MPV-60C-110 <sup>2</sup> 91M02
47,500	14.70	12.00	3960	CR33-50/60C-F	<sup>4</sup> G60DFV-60C-110 <sup>2</sup> 91M02
47,500	14.70	12.20	3895	CR33-60D-F	<sup>4</sup> G61MPV-60D-135 <sup>2</sup> 91M02
47,500	15.00	12.20	3895	CR33-50/60C-F	<sup>4</sup> G60DFV-60C-090 <sup>2</sup> 91M02
47,500	15.00	12.20	3895	CR33-60D-F	<sup>4</sup> G60DFV-60D-135 <sup>2</sup> 91M02
<b>Horizontal Indoor Coils</b>				<b>Horizontal Coils</b>	
46,000	13.70	11.20	4105	<sup>3</sup> CH23-51	<sup>2</sup> 91M02
47,000	14.00	11.50	4085	<sup>3</sup> CH23-65	<sup>2</sup> 91M02
47,500	14.20	11.70	4060	<sup>3</sup> CH33-48C-2F	<sup>2</sup> 91M02
47,500	14.20	11.70	4060	<sup>3</sup> CH33-60D-2F	<sup>2</sup> 91M02
48,000	14.50	11.70	4105	<sup>3</sup> CH33-50/60C-2F	<sup>2</sup> 91M02
48,000	14.50	11.70	4105	<sup>3</sup> CH33-62D-2F	<sup>2</sup> 91M02
48,500	14.50	12.00	4040	<sup>3</sup> CH23-68	<sup>2</sup> 91M02
48,500	14.50	12.00	4040	<sup>3</sup> CH33-49C-2F	<sup>2</sup> 91M02

<sup>1</sup> Certified in accordance with USE certification program which is based on ARI Standard 210/240; 95°F outdoor air temperature, 80°F db / 67°F wb entering evaporator air with 25 ft. of connecting refrigerant lines.

<sup>2</sup> Factory installed RFC or expansion valve on indoor unit MUST be replaced with expansion valve kit (ordered separately).

<sup>3</sup> Blower must be capable of time-off blower delay. Indoor Blower Off Delay Relay (58M81) is recommended for field installation.

<sup>4</sup> Blower control must be set for a time-off blower delay.

<sup>5</sup> Most popular indoor coil.

# ARI RATINGS

<sup>1</sup> ARI Standard 210/240 Ratings

Cooling Capacity Btuh	Efficiency		Total Unit Watts	Indoor Unit Model No.		Expansion Device
	SEER	EER				
<b>XC15-048</b>						<b>4 TON</b>
<b>Horizontal Indoor Coils + Furnace</b>				<b>Horizontal Coils + Furnace</b>		
46,500	14.00	11.70	3975	CH23-51	<sup>4</sup> G61MPV-60C-090	<sup>2</sup> 91M02
46,500	14.00	11.70	3975	CH23-51	<sup>4</sup> G61MPV-60C-110	<sup>2</sup> 91M02
46,500	14.20	11.70	3975	CH23-51	<sup>4</sup> G60UHV-60C-110	<sup>2</sup> 91M02
46,500	14.50	11.70	3975	CH23-51	<sup>4</sup> G60UHV-60C-090	<sup>2</sup> 91M02
46,500	14.50	11.70	3975	CH23-51	<sup>4</sup> G61MPV-60D-135	<sup>2</sup> 91M02
46,500	14.50	12.00	3875	CH23-51	<sup>4</sup> G60UHV-60D-135	<sup>2</sup> 91M02
47,000	14.20	11.70	4015	CH23-65	<sup>4</sup> G61MPV-60C-090	<sup>2</sup> 91M02
47,000	14.20	11.70	4015	CH23-65	<sup>4</sup> G61MPV-60C-110	<sup>2</sup> 91M02
47,000	14.50	12.00	3915	CH23-65	<sup>4</sup> G60UHV-60C-110	<sup>2</sup> 91M02
47,000	14.70	12.20	3850	CH23-65	<sup>4</sup> G60UHV-60D-135	<sup>2</sup> 91M02
47,000	14.70	12.00	3915	CH23-65	<sup>4</sup> G61MPV-60D-135	<sup>2</sup> 91M02
47,500	14.50	11.70	4060	CH33-48C-2F	<sup>4</sup> G61MPV-60C-110	<sup>2</sup> 91M02
47,500	14.50	12.00	3960	CH23-65	<sup>4</sup> G60UHV-60C-090	<sup>2</sup> 91M02
47,500	14.50	12.00	3960	CH33-48C-2F	<sup>4</sup> G61MPV-60C-090	<sup>2</sup> 91M02
47,500	14.70	12.00	3960	CH33-48C-2F	<sup>4</sup> G60UHV-60C-110	<sup>2</sup> 91M02
48,000	14.70	12.20	3935	CH33-48C-2F	<sup>4</sup> G60UHV-60C-090	<sup>2</sup> 91M02
48,000	15.00	12.20	3935	CH33-60D-2F	<sup>4</sup> G61MPV-60D-135	<sup>2</sup> 91M02
48,000	15.20	12.50	3840	CH33-60D-2F	<sup>4</sup> G60UHV-60D-135	<sup>2</sup> 91M02
48,500	14.50	12.00	4040	CH33-49C-2F	<sup>4</sup> G61MPV-60C-091	<sup>2</sup> 91M02
48,500	14.50	12.00	4040	CH33-49C-2F	<sup>4</sup> G61MPV-60C-111	<sup>2</sup> 91M02
48,500	14.70	12.00	4040	CH33-50/60C-2F	<sup>4</sup> G61MPV-60C-110	<sup>2</sup> 91M02
48,500	14.70	12.00	4040	CH33-62D-2F	<sup>4</sup> G61MPV-60C-091	<sup>2</sup> 91M02
48,500	14.70	12.20	3975	CH33-62D-2F	<sup>4</sup> G61MPV-60C-090	<sup>2</sup> 91M02
48,500	14.70	12.20	3975	CH33-49C-2F	<sup>4</sup> G61MPV-60C-090	<sup>2</sup> 91M02
48,500	14.70	12.20	3975	CH33-49C-2F	<sup>4</sup> G61MPV-60C-110	<sup>2</sup> 91M02
48,500	14.70	12.20	3975	CH33-49C-2F	<sup>4</sup> G61MPV-60C-110	<sup>2</sup> 91M02
48,500	14.70	12.20	3975	CH33-49C-2F	<sup>4</sup> G61MPV-60C-111	<sup>2</sup> 91M02
48,500	14.70	12.20	3975	CH33-50/60C-2F	<sup>4</sup> G61MPV-60C-090	<sup>2</sup> 91M02
48,500	15.00	12.20	3975	CH33-49C-2F	<sup>4</sup> G60UHV-60C-110	<sup>2</sup> 91M02
48,500	15.00	12.50	3880	CH33-62D-2F	<sup>4</sup> G61MPV-60D-135	<sup>2</sup> 91M02
48,500	15.00	12.20	3975	CH33-50/60C-2F	<sup>4</sup> G60UHV-60C-090	<sup>2</sup> 91M02
48,500	15.00	12.20	3975	CH33-50/60C-2F	<sup>4</sup> G60UHV-60C-110	<sup>2</sup> 91M02
48,500	15.00	12.20	3975	CH33-62D-2F	<sup>4</sup> G60UHV-60C-090	<sup>2</sup> 91M02
48,500	15.00	12.50	3880	CH33-62D-2F	<sup>4</sup> G60UHV-60C-110	<sup>2</sup> 91M02
48,500	15.20	12.50	3880	CH33-62D-2F	<sup>4</sup> G60UHV-60D-135	<sup>2</sup> 91M02
49,000	15.00	12.20	4015	CH23-68	<sup>4</sup> G61MPV-60C-090	<sup>2</sup> 91M02
49,000	15.00	12.20	4015	CH23-68	<sup>4</sup> G61MPV-60C-110	<sup>2</sup> 91M02
49,000	15.20	12.50	3920	CH23-68	<sup>4</sup> G60UHV-60C-090	<sup>2</sup> 91M02
49,000	15.20	12.50	3920	CH23-68	<sup>4</sup> G60UHV-60C-110	<sup>2</sup> 91M02
49,000	15.20	12.50	3920	CH23-68	<sup>4</sup> G61MPV-60D-135	<sup>2</sup> 91M02
49,000	15.50	12.70	3860	CH23-68	<sup>4</sup> G60UHV-60D-135	<sup>2</sup> 91M02

<sup>1</sup> Certified in accordance with USE certification program which is based on ARI Standard 210/240; 95°F outdoor air temperature, 80°F db / 67°F wb entering evaporator air with 25 ft. of connecting refrigerant lines.

<sup>2</sup> **Factory installed RFC or expansion valve on indoor unit MUST be replaced with expansion valve kit (ordered separately).**

<sup>3</sup> Blower must be capable of time-off blower delay. Indoor Blower Off Delay Relay (58M81) is recommended for field installation.

<sup>4</sup> Blower control must be set for a time-off blower delay.

<sup>5</sup> Most popular indoor coil.

## ARI RATINGS

<sup>1</sup> ARI Standard 210/240 Ratings

Cooling Capacity Btuh	Efficiency		Total Unit Watts	Indoor Unit Model No.	Expansion Device
	SEER	EER			
<b>XC15-048</b>					<b>4 TON</b>
<b>Air Handlers</b>			<b>Air Handlers</b>		
45,500	13.70	11.50	3955	<sup>4</sup> CBX32MV-036 (Multi-Position)	<sup>2</sup> <b>91M02</b>
45,500	14.00	11.50	3955	<sup>3</sup> CBX32M-042 (Multi-Position)	Factory TXV
47,000	14.20	11.70	4015	<sup>3</sup> CB30U-51 (Up-Flow)	<sup>2</sup> <b>91M02</b>
47,500	15.20	12.20	3895	<sup>4</sup> CBX27UH-060 (Up-Flow / Horizontal)	Factory TXV
48,000	14.70	12.00	4000	<sup>3</sup> CB30U-65 (Up-Flow)	<sup>2</sup> <b>91M02</b>
48,000	14.70	12.20	3935	<sup>3</sup> CBX32M-060 (Multi-Position)	Factory TXV
48,000	15.00	12.20	3935	<sup>3</sup> CBX32M-048 (Multi-Position)	Factory TXV
48,000	15.20	12.50	3840	<sup>4</sup> CBX27UH-048 (Up-Flow / Horizontal)	Factory TXV
48,500	15.20	12.50	3880	<sup>4</sup> CBX32MV-048 (Multi-Position)	Factory TXV
48,500	15.20	12.50	3880	<sup>4</sup> CBX32MV-060 (Multi-Position)	Factory TXV
<b>XC15-060</b>					<b>5 TON</b>
<b>Up-Flow Indoor Coils</b>			<b>Up-Flow Coils</b>		
53,000	13.20	10.90	4860	<sup>3</sup> CX34-50/60C-6F	Factory TXV
54,500	13.50	11.20	4865	<sup>3</sup> CX34-49C-6F	Factory TXV
55,000	13.20	11.00	5000	<sup>3</sup> CX34-60D-6F	Factory TXV
56,000	13.50	11.20	5000	<sup>3</sup> CX34-62D-6F	Factory TXV
<b>Up-Flow Indoor Coils + Furnace</b>			<b>Up-Flow Coils + Furnace</b>		
53,000	13.00	10.70	4955	CX34-44/48C-6F <sup>4</sup> G60UHV-60C-110	Factory TXV
53,000	13.00	10.80	4905	CX34-44/48C-6F <sup>4</sup> G60UHV-60C-090	Factory TXV
53,500	13.00	10.80	4955	CX34-50/60C-6F <sup>4</sup> G61MPV-60C-090	Factory TXV
53,500	13.00	10.80	4955	CX34-50/60C-6F <sup>4</sup> G61MPV-60C-110	Factory TXV
53,500	13.20	10.80	4955	CX34-50/60C-6F <sup>4</sup> G60UHV-60C-110	Factory TXV
54,000	13.20	11.00	4910	CX34-50/60C-6F <sup>4</sup> G60UHV-60C-090	Factory TXV
55,000	13.50	11.20	4910	CX34-60D-6F <sup>4</sup> G61MPV-60D-135	Factory TXV
55,500	13.50	11.20	4955	CX34-49C-6F <sup>4</sup> G60UHV-60C-090	Factory TXV
55,500	13.50	11.20	4955	CX34-49C-6F <sup>4</sup> G60UHV-60C-110	Factory TXV
55,500	13.50	11.20	4955	CX34-49C-6F <sup>4</sup> G61MPV-60C-090	Factory TXV
55,500	13.50	11.20	4955	CX34-49C-6F <sup>4</sup> G61MPV-60C-110	Factory TXV
56,000	13.70	11.20	5000	CX34-60D-6F <sup>4</sup> G60UHV-60D-135	Factory TXV
56,000	13.70	11.20	5000	CX34-62D-6F <sup>4</sup> G61MPV-60D-135	Factory TXV
56,000	14.00	11.50	4870	<sup>5</sup> CX34-62D-6F <sup>4</sup> G60UHV-60D-135	Factory TXV
<b>Down-Flow Indoor Coils</b>			<b>Down-Flow Coils</b>		
53,000	13.00	10.80	4905	<sup>3</sup> CR33-50/60C-F	<sup>2</sup> <b>91M02</b>
53,000	13.00	10.80	4905	<sup>3</sup> CR33-60D-F	<sup>2</sup> <b>91M02</b>
<b>Down-Flow Indoor Coils + Furnace</b>			<b>Down-Flow Coils + Furnace</b>		
53,000	13.00	10.70	4955	CR33-50/60C-F <sup>4</sup> G61MPV-60C-090	<sup>2</sup> <b>91M02</b>
53,000	13.00	10.70	4955	CR33-50/60C-F <sup>4</sup> G61MPV-60C-110	<sup>2</sup> <b>91M02</b>
53,000	13.20	10.80	4905	CR33-60D-F <sup>4</sup> G61MPV-60D-135	<sup>2</sup> <b>91M02</b>
53,500	13.20	10.90	4910	CR33-50/60C-F <sup>4</sup> G60DFV-60C-090	<sup>2</sup> <b>91M02</b>
53,500	13.20	10.90	4910	CR33-50/60C-F <sup>4</sup> G60DFV-60C-110	<sup>2</sup> <b>91M02</b>
53,500	13.20	10.90	4910	CR33-60D-F <sup>4</sup> G60DFV-60D-135	<sup>2</sup> <b>91M02</b>
<b>Horizontal Indoor Coils</b>			<b>Horizontal Coils</b>		
53,000	13.00	10.80	4905	<sup>3</sup> CH23-65	<sup>2</sup> <b>91M02</b>
53,000	13.20	10.90	4860	<sup>3</sup> CH33-48C-2F	<sup>2</sup> <b>91M02</b>
54,000	13.50	11.00	4910	<sup>3</sup> CH33-50/60C-2F	<sup>2</sup> <b>91M02</b>
54,500	13.20	11.00	4955	<sup>3</sup> CH33-60D-2F	<sup>2</sup> <b>91M02</b>
55,000	13.50	11.00	5000	<sup>3</sup> CH23-68	<sup>2</sup> <b>91M02</b>
55,500	13.50	11.00	5045	<sup>3</sup> CH33-62D-2F	<sup>2</sup> <b>91M02</b>

<sup>1</sup> Certified in accordance with USE certification program which is based on ARI Standard 210/240; 95°F outdoor air temperature, 80°F db / 67°F wb entering evaporator air with 25 ft. of connecting refrigerant lines.

<sup>2</sup> **Factory installed RFC or expansion valve on indoor unit MUST be replaced with expansion valve kit (ordered separately).**

<sup>3</sup> Blower must be capable of time-off blower delay. Indoor Blower Off Delay Relay (**58M81**) is recommended for field installation.

<sup>4</sup> Blower control must be set for a time-off blower delay.

<sup>5</sup> Most popular indoor coil.



## ARI RATINGS

1 ARI Standard 210/240 Ratings					Indoor Unit Model No.	Expansion Device
Cooling Capacity Btuh	Efficiency		Total Unit Watts			
	SEER	EER				
<b>XC15-060</b>					<b>5 TON</b>	
<b>Horizontal Indoor Coils + Furnace</b>				<b>Horizontal Coils + Furnace</b>		
52,000	13.00	10.70	4860	CH23-51	4 G60UHV-60C-110	2 91M02
52,500	13.00	10.80	4860	CH23-51	4 G60UHV-60C-090	2 91M02
52,500	13.00	10.80	4860	CH23-51	4 G61MPV-60D-135	2 91M02
53,000	13.00	10.80	4905	CH23-65	4 G61MPV-60C-090	2 91M02
53,000	13.00	10.80	4905	CH23-65	4 G61MPV-60C-110	2 91M02
53,000	13.00	10.90	4860	CH23-51	4 G60UHV-60D-135	2 91M02
53,000	13.20	10.90	4860	CH23-65	4 G60UHV-60C-090	2 91M02
53,000	13.20	10.90	4860	CH23-65	4 G60UHV-60C-110	2 91M02
53,000	13.20	10.90	4860	CH23-65	4 G61MPV-60D-135	2 91M02
53,500	13.00	10.70	5000	CH33-48C-2F	4 G61MPV-60C-090	2 91M02
53,500	13.20	11.00	4865	CH23-65	4 G60UHV-60D-135	2 91M02
54,000	13.00	10.80	5000	CH33-48C-2F	4 G61MPV-60C-110	2 91M02
54,000	13.00	10.90	4955	CH33-48C-2F	4 G60UHV-60C-090	2 91M02
54,000	13.00	10.90	4955	CH33-48C-2F	4 G60UHV-60C-110	2 91M02
54,500	13.20	10.90	5000	CH33-50/60C-2F	4 G61MPV-60C-090	2 91M02
54,500	13.20	10.80	5045	CH33-50/60C-2F	4 G61MPV-60C-110	2 91M02
54,500	13.20	11.00	4955	CH33-50/60C-2F	4 G60UHV-60C-110	2 91M02
54,500	13.50	11.00	4955	CH33-60D-2F	4 G61MPV-60D-135	2 91M02
55,000	13.00	11.00	5000	CH33-62D-2F	4 G61MPV-60C-091	2 91M02
55,000	13.20	11.00	5000	CH33-50/60C-2F	4 G60UHV-60C-090	2 91M02
55,000	13.50	11.00	5000	CH33-62D-2F	4 G61MPV-60C-090	2 91M02
55,000	13.50	11.00	5000	CH23-68	4 G61MPV-60C-090	2 91M02
55,000	13.50	11.00	5000	CH23-68	4 G61MPV-60C-110	2 91M02
55,000	13.50	11.20	4910	CH33-60D-2F	4 G60UHV-60D-135	2 91M02
55,000	13.70	11.20	4910	CH23-68	4 G60UHV-60C-110	2 91M02
55,000	13.70	11.20	4910	CH23-68	4 G61MPV-60D-135	2 91M02
55,500	13.50	11.20	4955	CH33-62D-2F	4 G61MPV-60C-110	2 91M02
55,500	13.50	11.20	4955	CH33-62D-2F	4 G61MPV-60C-111	2 91M02
55,500	13.50	11.20	4955	CH33-62D-2F	4 G61MPV-60D-135	2 91M02
55,500	13.70	11.20	4955	CH33-62D-2F	4 G60UHV-60C-090	2 91M02
55,500	13.70	11.20	4955	CH33-62D-2F	4 G60UHV-60C-110	2 91M02
55,500	13.70	11.20	4955	CH23-68	4 G60UHV-60C-090	2 91M02
56,000	13.50	11.20	5000	CH33-62D-2F	4 G60UHV-60D-135	2 91M02
56,000	13.70	11.20	5000	CH23-68	4 G60UHV-60D-135	2 91M02
<b>Air Handlers</b>				<b>Air Handlers</b>		
53,000	13.50	11.00	4820	3 CB30U-51 (Up-Flow)		2 91M02
54,000	13.50	11.00	4910	3 CBX32M-048 (Multi-Position)		Factory TXV
54,500	13.70	11.20	4865	4 CBX27UH-060 (Up-Flow / Horizontal)		Factory TXV
55,000	13.70	11.20	4910	4 CBX32MV-048 (Multi-Position)		Factory TXV
55,500	13.50	11.00	5045	3 CB30U-65 (Up-Flow)		2 91M02
55,500	13.70	11.20	4955	3 CBX32M-060 (Multi-Position)		Factory TXV
55,500	14.00	11.50	4825	4 CBX32MV-060 (Multi-Position)		Factory TXV

<sup>1</sup> Certified in accordance with USE certification program which is based on ARI Standard 210/240; 95°F outdoor air temperature, 80°F db / 67°F wb entering evaporator air with 25 ft. of connecting refrigerant lines.

<sup>2</sup> **Factory installed RFC or expansion valve on indoor unit MUST be replaced with expansion valve kit (ordered separately).**

<sup>3</sup> Blower must be capable of time-off blower delay. Indoor Blower Off Delay Relay (58M81) is recommended for field installation.

<sup>4</sup> Blower control must be set for a time-off blower delay.

<sup>5</sup> Most popular indoor coil.



**ARI Standard  
210/240 UAC**



Visit us at [www.lennox.com](http://www.lennox.com)  
For the latest technical information, [www.lennox.com/lennox\\_davenet.com](http://www.lennox.com/lennox_davenet)  
Contact us at 1-800-4-LENNOX

NOTE - Due to Lennox' ongoing commitment to quality, Specifications, Ratings and Dimensions subject to change without notice and without incurring liability. Improper installation, adjustment, alteration, service or maintenance can cause property damage or personal injury. Installation and service must be performed by a qualified installer and servicing agency.