



BLG-48-HGP

BLG-HGP SERIES

Bottom Mounted Full-Height Swing Glass Door Freezer Merchandisers

MODELS

- BLG-23-HGP
- BLG-27-HGP
- BLG-48-HGP
- BLG-74-HGP

FEATURES

CONSTRUCTION

- Standard interior double row LED lighting
- Standard programmable electronic controller featuring:
 - Audible and visual alarm
 - Eliminates room thermostat, defrost termination/fan delay control, defrost timer and digital thermometer or other temperature indicator
- 24 gauge painted textured galvanized steel interior and exterior
- Standard finishes: White interior/white exterior or black exterior/black interior
- Stainless steel floor
- 1³/₄" thick state-of-the-art, foamed-in-place "zero ODP" polyurethane insulation provides high R-value
- Adjustable legs for leveling
- Four adjustable heavy-duty epoxy-coated cantilever shelves with price tag molding per door
- Merchandiser profile matches other BLG/BMG Plus refrigerator and freezer models

DOORS

- Full-height doors
- Auto-close, triple pane, heated safety glass doors with heated frames
- 90° hold-open feature
- Contemporary style door frame and handles
- Heavy-duty universal workflow handles
- Easily replaceable snap-in magnetic vinyl door gaskets
- Standard door swing configuration:
 - 1-door hinged left
 - 2-door left door hinged left, right door hinged right
 - 3-door left door hinged left, middle door hinged right, right door hinged right
- Maximum visibility with these door sizes:
 - BLG-23-HGP 26" x 63¹/₂"
 - BLG-27-HGP 29" x 63¹/₂"
 - BLG-48-HGP & BLG-74-HGP 25" x 63¹/₂"

REFRIGERATION

- Self-contained bottom mount refrigeration system designed for optimum energy efficiency and low noise
- ENERGY STAR qualified, may be eligible for rebate programs

- Top mounted, low profile interior evaporator housing
- Energy-free condensate removal
- Refrigerant: R-404A
- Refrigerant controlled by thermostatic expansion valve
- Temperature range: 5° to -15°F (-18° to -26°C)

WARRANTY

- **Standard limited three year parts and labor**
- **Additional two year coverage on compressor part**

OPTIONS

- Add suffix "R" for remote refrigeration
- Stainless steel interior and/or exterior
- Custom exterior colors
- Additional shelving
- Flat bottom shelf with legs
- Bottom baskets
- Casters
- Leg kits
- Door locks
- Proximity switches



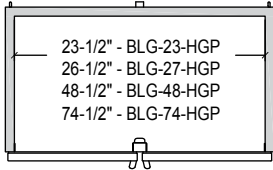
BLG-HGP SERIES

BOTTOM MOUNTED FULL-HEIGHT SWING GLASS DOOR FREEZER MERCHANDISERS

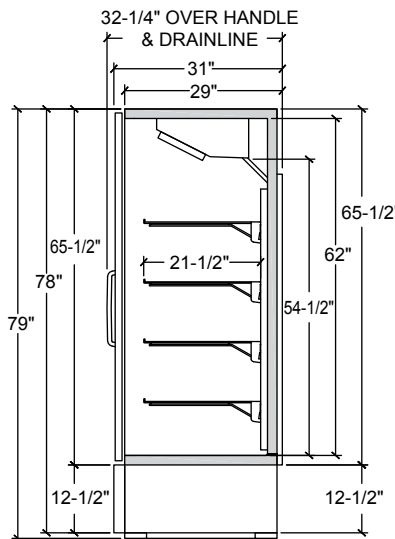
TECHNICAL SPECIFICATIONS

MODEL	DIMENSIONS (in.)			DIMENSIONS (mm)			VOLTS	AMPS	UNIT H.P.	NO. OF DOORS	NO. OF SHELVES	SHELF SIZE (in.)	WEIGHT CAP. PER SHELF (LB/KG)	CAP. CU. FT.	SHIP WT. (LB/KG)
	L	D*	H	L	D*	H									
BLG-23-HGP	27	32 ¹ / ₄	79	686	819	2007	115	7.5	1/2	1	4	22 ¹ / ₂ L x 21 ¹ / ₂ D	92/42	22.1	365/166
BLG-27-HGP	30	32 ¹ / ₄	79	762	819	2007	115	7.5	1/2	1	4	25 ¹ / ₂ L x 21 ¹ / ₂ D	105/48	25.0	380/173
BLG-48-HGP	52	32 ¹ / ₄	79	1321	819	2007	115	12.3	3/4	2	8	23 ¹ / ₂ L x 21 ¹ / ₂ D	92/42	45.7	575/261
BLG-74-HGP	78	32 ¹ / ₄	79	1981	819	2007	115/ 208-230**	12.8	1	3	12	23 ¹ / ₂ L x 21 ¹ / ₂ D (ends), 25 ¹ / ₂ L x 21 ¹ / ₂ D (center)	92/42 (ends), 105/48 (center)	70.2	770/350

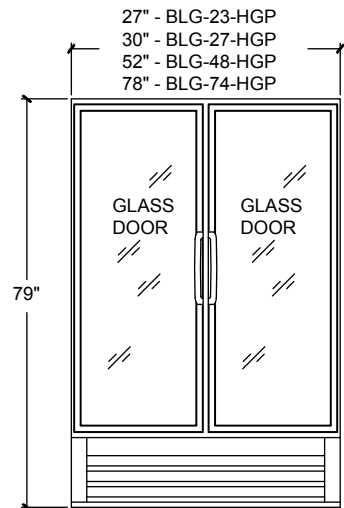
*Includes door handle and rear drainline cover. **208-230/60/1 also requires neutral and safety ground wire.



PLAN VIEW



SIDE VIEW



ELEVATION VIEW

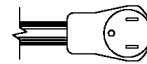
LISTINGS



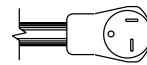
- Listed under NSF-7 for the storage and/or display of packaged food
- Meets 2012 Federal DOE Requirements
- Meets Canadian energy efficiency regulations

HOOKUP

All models except BLG-74-HGP via plug in, 10 foot long, flexible three wire 14/3 cord with molded plug.



NEMA 5-15P (BLG-23-HGP & BLG-27-HG)



NEMA 5-20P (BLG-48-HGP)



NEMA L14-20P (BLG-74-HGP)

BLG-74-HGP via plug in, 10 foot long flexible four wire 208-230v 14/4 cord with neutral and ground wires and molded plug.

BID SPECIFICATIONS

Item no. BLG-____-HGP. Provide ____ Bottom Mounted Full-Height Swing Glass Door Freezer Merchandiser(s), Master-Bilt model no. BLG-____-HGP.

Merchandiser will be constructed of 24 gauge painted textured galvanized steel interior and exterior. Standard equipment will include interior LED lighting, programmable electronic controller system, and four

epoxy-coated cantilever shelves with price tag molding per door.

Full-height, auto-close doors will be equipped with triple pane, heated safety glass and heated frames.

Refrigeration system will be self-contained and designed for optimum energy efficiency and low noise. An energy-free condensate removal system will also be standard.

The refrigerant will be R-404A. Temperature range will be 5° to -15°F (-18° to -26°C).

Merchandiser to have standard limited 3 year parts and labor warranty with additional 2 year coverage on compressor part.

Merchandiser to be UL and C-UL listed, UL EPH classified, and ENERGY STAR qualified. Merchandiser will also meet Canadian energy efficiency regulations.

NOTE: Cabinet designed for optimum performance in air-conditioned area at 75°F ambient and 55% relative humidity. All specifications subject to change without notice.



908 Highway 15 North • New Albany, MS 38652

PHONE: 800-647-1284 or 662-534-9061 • FAX: 800-232-3966 or 662-534-6049 • www.master-bilt.com

