



TEL-4-30 (shown with ends installed)



TEM/TEL-30 SERIES REMOTE

Endless Glass Door Merchandisers
With Top Mounted Coil &
30-Inch Wide Doors

MEDIUM TEMP MODELS

- TEM-2-30 TEM-4-30
 TEM-3-30 TEM-5-30

LOW TEMP MODELS

- TEL-2-30 TEL-4-30
 TEL-3-30 TEL-5-30

FEATURES

CONSTRUCTION

- Standard electronic controller with these features:
 - Ability to monitor defrost functions from the front panel interface
 - Audible and visual alarm
 - Eliminates room thermostat, defrost termination/fan delay control, defrost timer and digital thermometer or other temperature indicator
- Baked-on polyester textured steel finish on exterior and interior
- Standard LED lighting
- 2" foamed-in-place "zero ODP" urethane insulation
- A large heavy duty rub rail and kick plate to protect from abuse
- Five cantilever epoxy-coated welded wire shelves with price tag molding per door
- Shelves rated to support 135 lbs. each
- Product stop feature to prevent product from falling behind shelves
- Ends must be ordered separately
- Drain piped to base for easy connection to drain line or condensate pump

DOORS

- 30" wide glass doors
- Self-closing door hinge with adjustable torsion control
- Standard black door and frame (optional colors available)

REFRIGERATION

- All models designed for remote refrigeration systems
- Refrigerant: R-404A
- Factory tested refrigeration system
- Heavy-duty copper tube evaporator coil
- Electric defrost standard on low temp models
- Pre-mounted expansion valve
- Temperature range:
 - TEM models: 34° to 41°F (1° to 5°C)
 - TEL models: 0° to -15°F (18° to -26°C)
- R-factor (insulation efficiency rating): 18.75

WARRANTY

- 2 year limited parts and labor on cabinet with 1 year parts and labor on condensing unit



Optional curb front available.

When ordering multi-cabinet line-ups, please note:

- Pre-wired cabinet-to-cabinet electrical terminal block connectors are standard
- A 2" thick partition is required between each endless module if:
 - Each utilizes its own condensing unit and
 - One module is a freezer and one is a cooler
- A 1/16" thick partition is required between each module of like temperatures
- Joining kits for linking together modules are standard
- Please allow an additional 1" clearance for case and assembly dimensional tolerance stack-up

OPTIONS

- | | | |
|--|--|--|
| <input type="checkbox"/> Right or left hand end kits | <input type="checkbox"/> Condensate evaporator drain pan
<i>NOTE: Must be field installed and requires a dedicated 20A, 120v circuit.</i> | <input type="checkbox"/> Kickplate |
| <input type="checkbox"/> Custom colors | <input type="checkbox"/> Condensate pump | <input type="checkbox"/> Additional 30" cantilever shelves |
| <input type="checkbox"/> Super Controller system with electric expansion valve | <input type="checkbox"/> Partitions | <input type="checkbox"/> Baskets |
| <input type="checkbox"/> Drip pans for interior | | <input type="checkbox"/> Motion sensors for LED lighting |



TEM/TEL-30 SERIES – REMOTE

ENDLESS GLASS DOOR MERCHANDISERS

WITH TOP MOUNTED COIL & 30-INCH WIDE DOORS

TECHNICAL SPECIFICATIONS

MODEL	DIMENSIONS (in.)			DIMENSIONS (mm)			NO. OF DOORS	NO. OF SHELVES	SHELVING AREA SQ. FT.	USABLE CU. FT.	PRODUCT FACING SQ. FT.	NO. OF INTERIOR LIGHTS	SHIP WT. LB/KG
	L*	D	H**	L*	D	H**							
TEM/TEL-2-30	61 ^{15/16}	38 ^{1/4}	83 ^{3/4}	1573	972	2127	2	10	49.5	57.8	27.2	3	1085/493
TEM/TEL-3-30	92 ^{3/8}	38 ^{1/4}	83 ^{3/4}	2346	972	2127	3	15	73.8	86.2	40.6	4	1325/602
TEM/TEL-4-30	122 ^{13/16}	38 ^{1/4}	83 ^{3/4}	3119	972	2127	4	20	98.1	114.6	53.9	5	1915/870
TEM/TEL-5-30	153 ^{1/4}	38 ^{1/4}	83 ^{3/4}	3893	972	2127	5	25	122.4	143.0	67.3	6	1955/889

*Add 2" (51mm) to length for each end or insulated partition. Also allow an additional 1" clearance for case and assembly dimensional tolerance stack-up. **Height includes junction box.

NOTE: All models furnished with R-404A expansion valve unless otherwise specified.

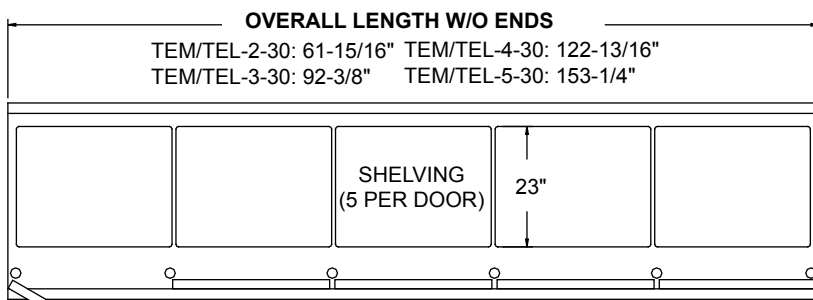
ELECTRICAL*

MODEL	120 VOLT, 1 PHASE			230 VOLT, 1 PHASE	
	LIGHTS	HEATERS	FANS	FANS	DEFROST
TEM-2-30	0.25	0.97	1.0	N/A	N/A
TEM-3-30	0.37	1.43	1.0	N/A	N/A
TEM-4-30	0.5	1.93	1.5	N/A	N/A
TEM-5-30	0.62	2.35	1.5	N/A	N/A

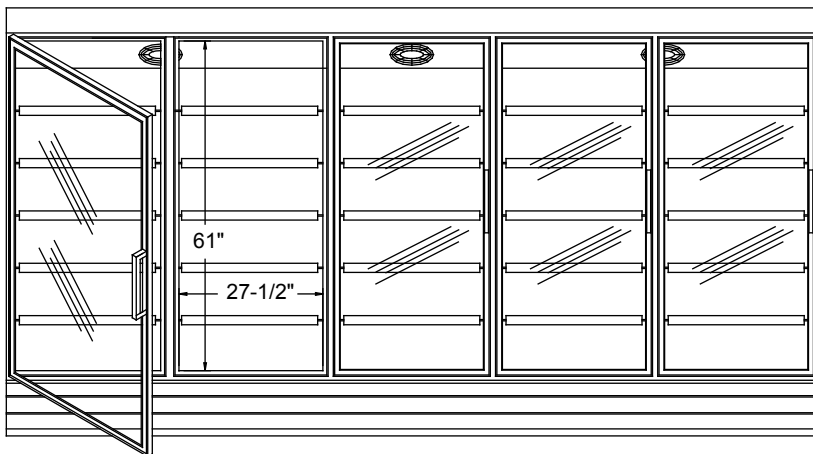
MODEL	120 VOLT, 1 PHASE			230 VOLT, 1 PHASE	
	LIGHTS	HEATERS	FANS	FANS	DEFROST
TEL-2-30	0.25	2.62	N/A	0.4	5.6
TEL-3-30	0.37	4.77	N/A	0.4	6.7
TEL-4-30	0.5	6.31	N/A	0.6	9.5
TEL-5-30	0.62	7.76	N/A	0.6	12.5

*If condensate evaporator pan accessory is used, it must be field installed and requires a dedicated 20 amp, 120 volt circuit.

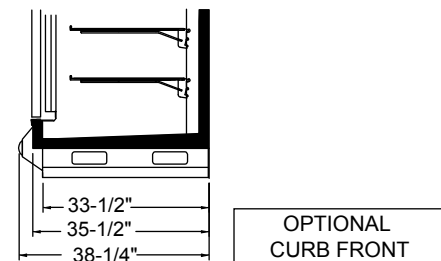
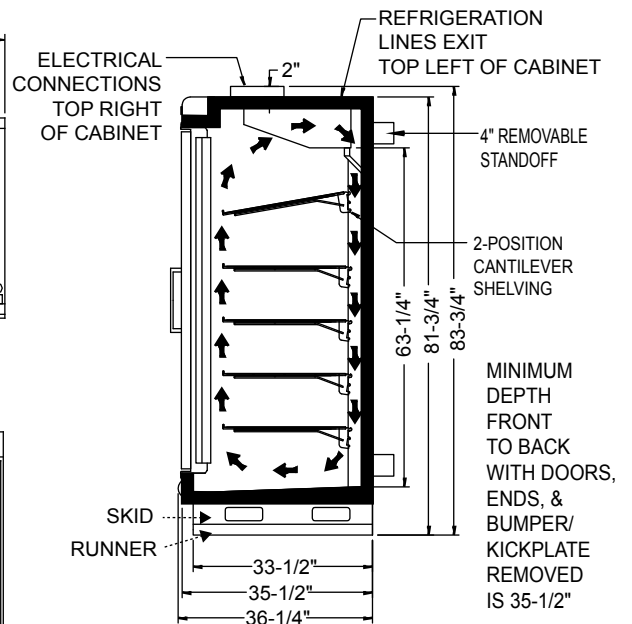
TECHNICAL DRAWINGS



PLAN VIEW



ELEVATION VIEW



SIDE VIEW

LISTINGS



HOOKUP

Hardwire, remote refrigeration.

MODULES REQUIRED FOR 30" WIDE DOOR LINEUPS & BTU PERFORMANCE DATA

NO. OF DOORS	MODULES REQUIRED				TOTAL OVERALL LENGTH WITH ONE PAIR OF 2" ENDS	+20°F SUCTION MIN. BTUs (75°F STORE, 55% RH, +35°F AVERAGE PRODUCT TEMP.)	-11°F SUCTION MIN. BTUs (75°F STORE, 55% RH, -3°F AVERAGE PRODUCT TEMP.)	-18°F SUCTION MIN. BTUs (75°F STORE, 55% RH, -12°F AVERAGE PRODUCT TEMP.)
	2 DOOR	3 DOOR	4 DOOR	5 DOOR				
2	1				65 ¹⁵ / ₁₆	2800	3300	3550
3		1			96 ³ / ₈	3750	4750	5125
4			1		126 ¹³ / ₁₆	4600	6150	6550
5				1	157 ¹ / ₄	5750	7625	8300
6		2			188 ³ / ₄	6900	9150	9960
7	1			1	219 ³ / ₁₆	8050	10,675	11,620
8		1		1	249 ⁵ / ₈	9200	12,200	13,280
9			1	1	280 ¹ / ₁₆	10,350	13,725	14,940
10				2	310 ¹ / ₂	11,500	15,250	16,600
11		2		1	342	12,650	16,775	18,260
12	1			2	372 ⁷ / ₁₆	13,800	18,300	19,920
13		1		2	402 ⁷ / ₈	14,950	19,825	21,580
14			1	2	433 ⁵ / ₁₆	16,100	21,350	23,240
15				3	463 ³ / ₄	17,250	22,875	24,900
16		2		2	495 ¹ / ₄	18,400	24,400	26,560
17	1			3	525 ¹¹ / ₁₆	19,550	25,925	28,220
18		1		3	556 ¹ / ₈	20,700	27,450	29,880
19			1	3	586 ⁹ / ₁₆	21,850	28,975	31,540
20				4	617	23,000	30,500	33,200
21		2		3	648 ¹ / ₂	24,150	32,025	34,860
22	1			4	678 ¹⁵ / ₁₆	25,300	33,550	36,520
23		1		4	709 ³ / ₈	26,450	35,075	38,180
24			1	4	739 ¹³ / ₁₆	27,600	36,600	39,840
25				5	770 ¹ / ₄	28,750	38,125	41,500

BID SPECIFICATIONS

Item no. TEM/TEL-_____-30.

Provide _____ () Endless Remote Glass Door Merchandisers - Top Mounted model no. TEM/TEL-_____-30.

Merchandiser to be constructed of baked-on polyester painted textured steel with 2" foamed-in-place "zero ODP" urethane insulation. Merchandiser may be used as a stand-alone unit or combined in a modular endless design.

Merchandiser will be equipped with standard electronically controlled monitoring system, LED lighting and five cantilever epoxy-coated welded wire shelves with price tag molding per door. In addition, a product

stop feature will prevent product from falling behind shelves.

Other standard features to include:

- Heavy-duty rub rail and kick plate
- Pre-wired cabinet-to-cabinet electrical terminal block connectors
- Standard joining kits when linking together multi-door modules
- Pre-piped drain in bottom of each section with removable plug for cleaning

Glass doors will be supplied with self-closing door hinge and provision for easy adjustment of torsion and leveling. Merchandiser supplied with 30" wide glass doors.

Door and frame provided in standard black

finish with optional colors available.

The refrigeration system will be remote and will contain a full-length heavy-duty copper tube evaporator coil and pre-mounted expansion valve. Electric defrost will be standard on low temp models. All models will use R-404A refrigerant.

Temperature ranges will be:

- TEM models: 34° to 41°F (1° to 5°C)
- TEL models: 0° to -15°F (18° to -26°C)

Merchandiser to be provided with two year limited parts and labor on cabinet with 1 year parts and labor on condensing unit.

Merchandiser to be UL and C-UL listed and UL EPH classified.



TEM/TEL-30 SERIES – REMOTE

ENDLESS GLASS DOOR MERCHANDISERS WITH TOP MOUNTED COIL & 30-INCH WIDE DOORS

REQUIRED CONDENSING UNITS

Use this chart to determine the correct condensing unit for your endless lineup. Unless already indicated, add suffix "B" for one phase or "C" for three phase model.

NO. OF DOORS	+35°F BOX TEMP, +20°F SST 75°F AIR CONDITIONED STORE, 55% RH		0°F BOX TEMP, -10°F SST 75°F AIR CONDITIONED STORE, 55% RH		-10°F BOX TEMP, -20°F SST 75°F AIR CONDITIONED STORE, 55% RH	
	COND. UNIT REQUIRED FOR AMBIENT TEMP		COND. UNIT REQUIRED FOR AMBIENT TEMP		COND. UNIT REQUIRED FOR AMBIENT TEMP	
	100°F	110°F	100°F	110°F	100°F	110°F
2	MHHZ0041	MHHZ0041	MHLZ0051	MHLZ0071	MHLZ0071	MHLZ0071
3	MHHZ0071	MHHZ0071	MHLZ0071	MHLZ0071	MHLZ0091	MHLZ0091
4	MHHZ0081	MHHZ0081	MHLZ0071	MHLZ0091	MHLZ0091	MHLZ0121
5	MHHZ0111	MHHZ0111	MHLZ0091	MHLZ0091	MHLZ0121	MSLZ0151
6	MHHZ0111	MHHZ0131	MHLZ0091	MHLZ0121	MSLZ0151	MSLZ0151
7	MHHZ0131	MHHZ0171	MHLZ0121	MSLZ0151	MSLZ0151	MSLZ0181
8	MHHZ0171	MHHZ0191	MHLZ0121	MSLZ0151	MSLZ0181	MSLZ0181
9	MHHZ0171	MHHZ0221	MSLZ0151	MSLZ0151	MSLZ0181	MSLZ0221
10	MHHZ0191	MHHZ0221	MSLZ0151	MSLZ0181	MSLZ0221	MSLZ0221
11	MHHZ0221	MHHZ0251	MSLZ0181	MSLZ0181	MSLZ0221	BSLZ0750
12	MHHZ0221	MHHZ0301	MSLZ0181	MSLZ0221	MSLZ0221	BSLZ0750
13	MHHZ0251	MHHZ0301	MSLZ0181	MSLZ0221	BSLZ0750	BSLZ0750
14	MHHZ0251	MSHZ0301	MSLZ0221	MSLZ0221	BSLZ0750	BSLZ1000
15	MHHZ0301	MSHZ0301	MSLZ0221	BSLZ0750	BSLZ1000	BSLZ1000

This chart is valid for the following conditions:

- Anthony doors with LED lights
- 75°F store with 55% relative humidity
- Refrigeration line run of 100' or less

Please consult factory for other operating conditions.

NOTE: Cabinet designed for optimum performance in air-conditioned area at 75°F ambient and 55% relative humidity. All specifications subject to change without notice.



908 Highway 15 North • New Albany, MS 38652
PHONE: 800-647-1284 or 662-534-9061 • FAX: 800-232-3966 or 662-534-6049 • www.master-bilt.com

